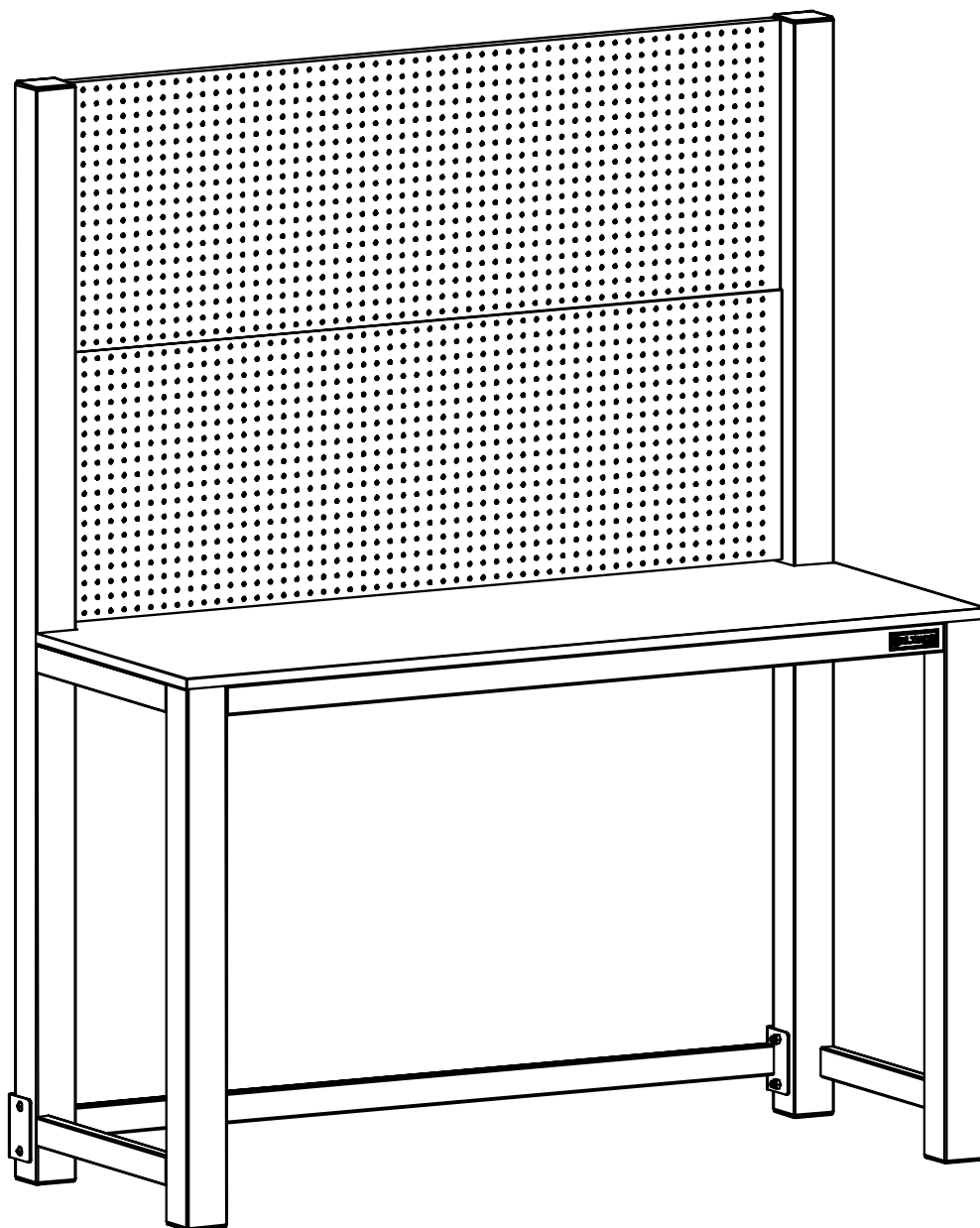
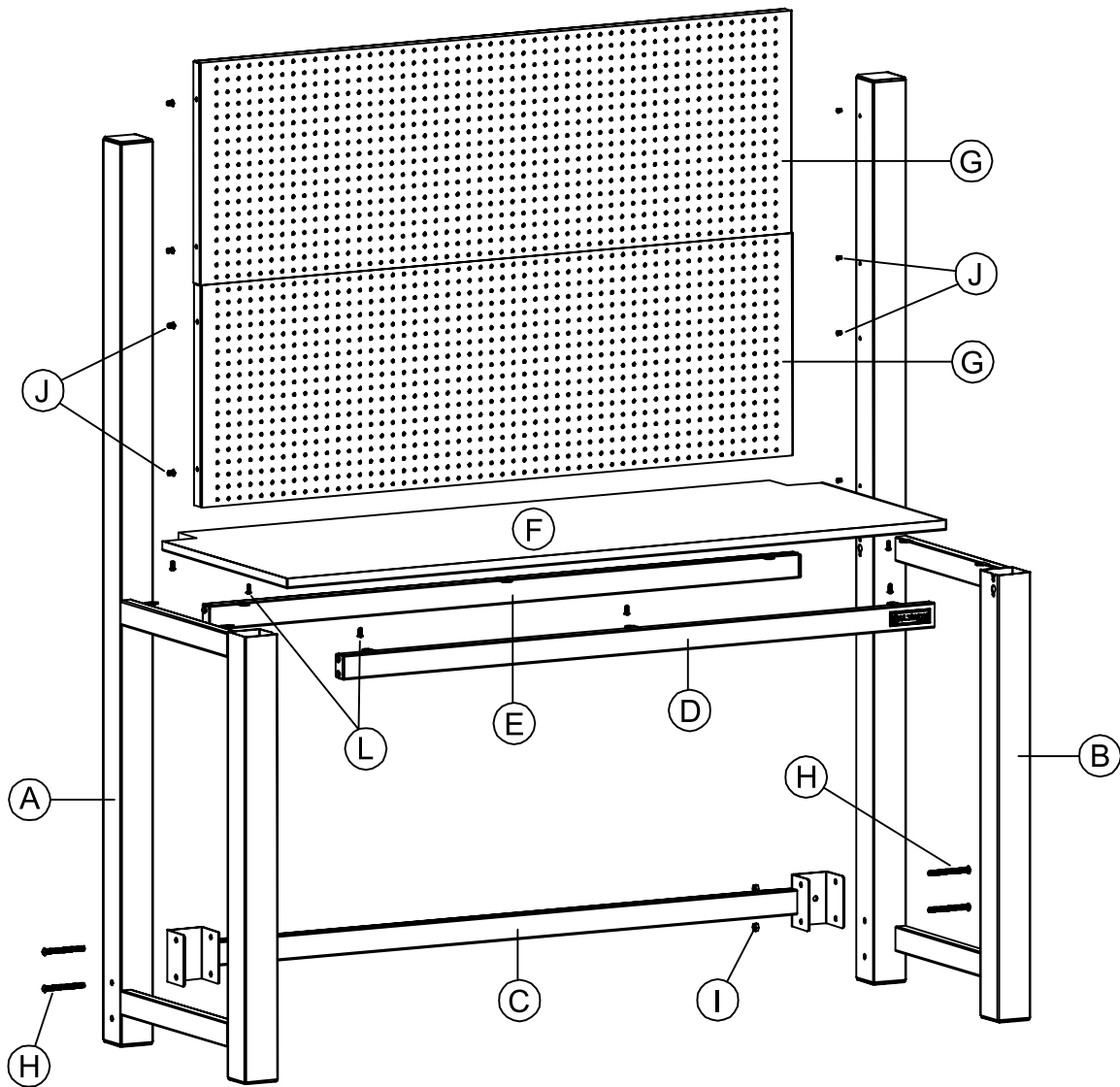


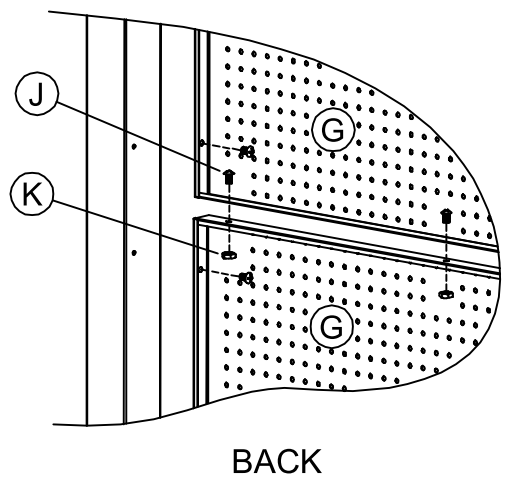
WORKBENCH UWB10

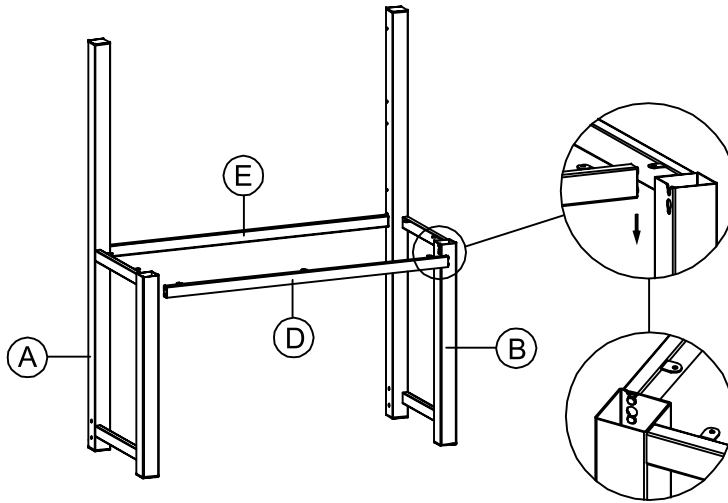


ULTIMATE
STORAGE



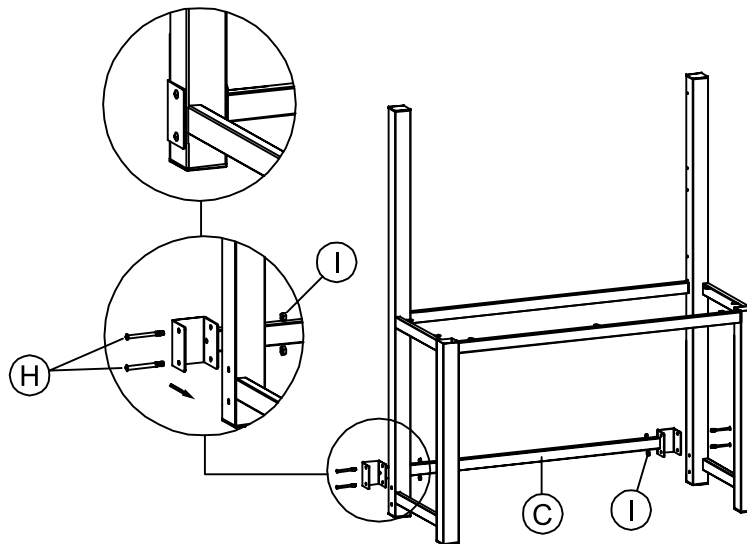
NO	PART NAME	PCS
(A)	Left leg	1 PCS
(B)	Right leg	1 PCS
(C)	Horizontal back brace	1 PCS
(D)	Front bench top support	1 PCS
(E)	Rear bench top support	1 PCS
(F)	Bench top	1 PCS
(G)	Pegboard	2 PCS
(H)	Phillips Head Bolts M8*95mm	4 PCS
(I)	Hex Nuts M8	4 PCS
(J)	Phillips Head Bolts M6*15mm	12 PCS
(K)	Hex Nuts M6	4 PCS
(L)	12 *5/8" Self tapping screw	7 PCS





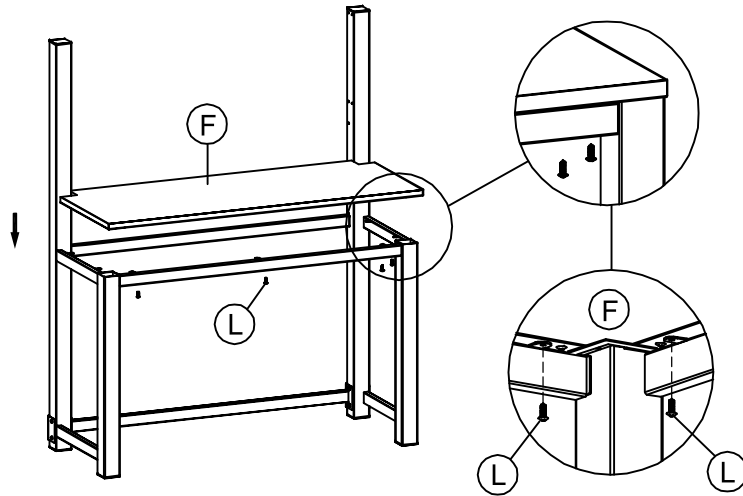
Step 1.

Place the legs upright and install front and rear bench top support as per diagram. Tap them in gently using a mallet if needed.

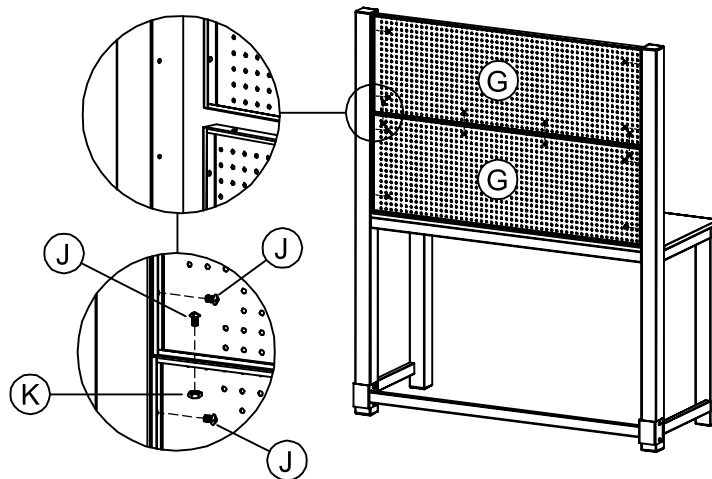


Step 2.

Insert and fix horizontal back brace with M8*95mm phillips head bolts and M8 hex nuts as per diagram.



Step 3.
 Fix the MDF table top onto the table frame by self tapping screws as per diagram.



Step 4.
 Position the pegboards on the bench top and align with the left and right legs. Join the two pegboards using M6*15mm phillips head bolts and M6 hex nuts. Fix the pegboards to the legs using M6*15mm phillips head bolts.