

Crazy House Cubby

TCH011



WARNING: ONLY FOR DOMESTIC OUTDOOR USE.

THIS PLAYSET SATISFIES ALL THE REQUIREMENTS OF THE EUROPEAN STANDARDS EN71 AND HAS BEEN CERTIFIED BY AN INDEPENDENT LABORATORY. TO GUARANTEE SAFETY, PLEASE GIVE SPECIAL ATTENTION TO THE ASSEMBLY, SAFETY, AND CARE INSTRUCTIONS DETAILED IN THIS DOCUMENT.



IMPORTANT NOTICE FOR TIMBER CARE & MAINTENANCE

THIS PRODUCT CONTAINS TIMBER COMPONENTS THAT ARE NATURALLY SUBJECT TO DETERIORATION IN THE OUTDOOR ELEMENTS AFTER YEARS OF EXPOSURE.

TO COMBAT THE EFFECTS OF OUTDOOR EXPOSURE AND GREATLY INCREASE THE LIFESPAN OF YOUR PLAY SET OR CUBBY, WE STRONGLY RECOMMEND THAT YOU APPLY A PROTECTIVE COAT OF EXTERIOR GRADE LACQUER OR OIL TO ALL TIMBER PARTS UPON FIRST ASSEMBLY. IN ORDER TO BEST MAINTAIN THE TIMBER WE RECOMMEND REAPPLYING PROTECTIVE COATS EVERY 3-6 MONTHS.

FAILURE TO CARE FOR YOUR TIMBER PARTS BY APPLYING PROTECTIVE LACQUER OR OIL WILL GREATLY REDUCE THE LIFESPAN OF YOUR PRODUCT.

FOR INFORMATION ON THE MOST SUITABLE EXTERIOR LACQUER OR OIL, PLEASE CONSULT YOUR HARDWARE SPECIALIST.



WARNING! ADULT ASSEMBLY REQUIRED

SAFETY ADVICE

- Warning! The playhouse is for 3-12 years old children only.
- Never allow children to play without (parental) supervision.
- It is not permitted to climb or play on the roof of the playhouse.
- Warning! The playhouses are designed for use by two children and the total weight no more than 100kgs.
- Warning! Not suitable for children under 36 months. Choking hazard. Small Parts
- Warning! The playhouse is for outdoor use
- Warning! Only for domestic use

ASSEMBLY ADVICE

- The playhouse must be assembled by an adult.
- Never place playhouses on hard surfaces like concrete or asphalt.
- It is advised to secure the playhouse with raised framework to an anchoring set (which is separately purchasable). This provides stability and safety.
- Never place the playhouses on hard surfaces like concrete or asphalt. A fall from a playhouse onto a hard surface could cause serious injury. Playhouses higher than 60cm. (24 inches) must be installed on a shock-absorbing surface like grass, woodchips or sand. This should cover an area of at least 1.50 metres around the playhouse.
- Place the playhouse on a smooth surface and at least 2.00 metres away from other constructions and obstacles like houses, garages, fences, branches or clotheslines.
- Never place the playhouse on a wet surface. This is achieved by installing an anchoring set and for the playhouses without a raised framework, by placing a paving stone between each corner of the play house and the ground.
- If the playhouse has a slide, it is advised not to position the slide facing south. This is in connection with heat from the sun.

MATERIAL

The play houses are made of cedar wood. This type of wood provides a natural protection against wood rot, mould and vermin. And all the cedar wood has had Heat Treatment before production. As extra protection and finish, the wood has been treated with a water-based stain. This naturally-based stain is an environmentally-friendly product.

MAINTENANCE

- Regularly check the play house for splinters. You must also check the screws and the strength of the links and/or fixings. Where applicable, tighten the screws and nuts. 'Regularly' is understood to mean: after assembly and twice a month during the outdoor playing season.
- Check the condition of the stain every year. To ensure the product's durability, The playhouse must be given a new layer of stain every two years. Use a water-based paint or a naturally-based stain.
- If these checks are not carried out the toy could overturn or otherwise become a hazard.

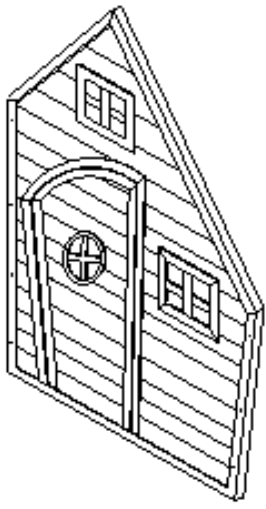
PLEASE NOTE!

- The playhouse is for outdoor use.
- Make sure that the playhouse is placed on a soft surface
- For family domestic use only
- The playhouses are designed for personal use. It is not permitted to rent out or place the playhouses in public areas like schools or day-care centres. The guarantee and any other liabilities shall expire if the playhouse is rented out or used in public areas.
- Wood is a natural product that is subject to weather influences that could cause the wood to warp and split. The guarantee does not cover damage caused by weather influences, such as cracks in the wood and/or warping of the panels which do not have a negative influence on the construction of the playhouse.
- keep assembly and installation instruction for further referenc
- Instructions that modifications made by the consumer to the original activity toy (for example the adding of an accessory) shall be carried out according to the instructions of the manufacturer.

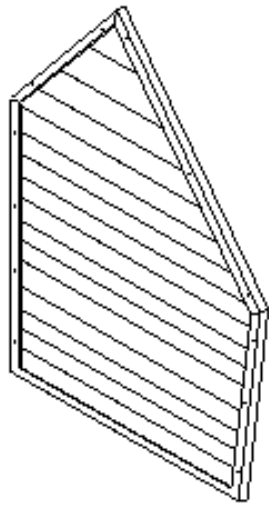


WARNING! ADULT ASSEMBLY REQUIRED

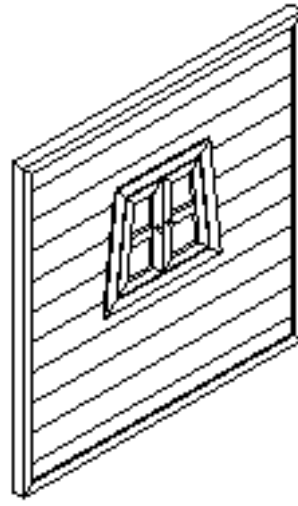
A(1) x 1



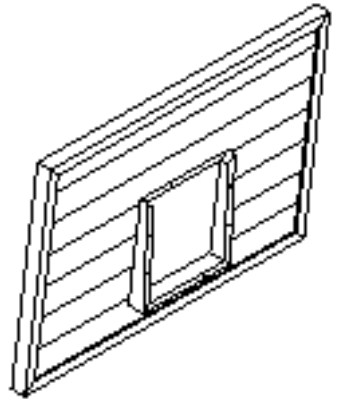
A(2) x 1



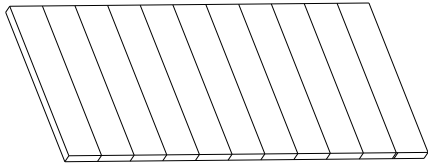
A(3) x 1



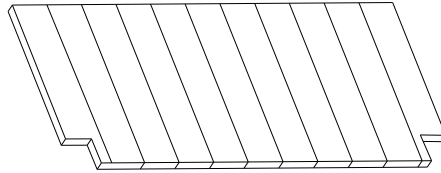
A(4) x 1



B(1) x 2



B(2) x 1



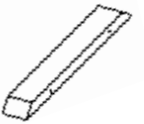
A(5) x 1



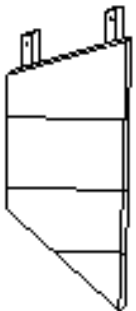
A(6) x 1



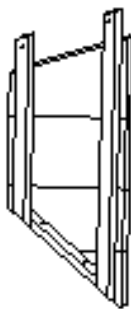
A(7) x 1



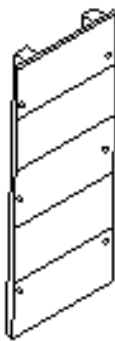
A(8) x 1



A(9) x 1



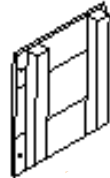
A(10) x 1



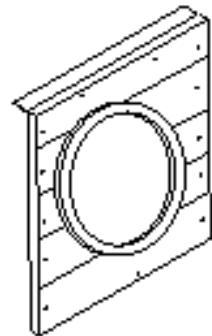
A(11) x 1



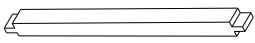
A(12) x 1



A(13) x 1



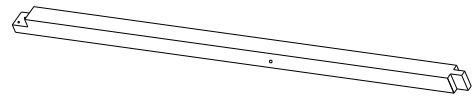
B(3) x 1



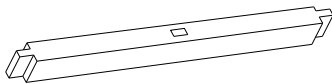
B(4) x 1



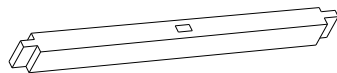
B(6) x 1



B(5) x 1



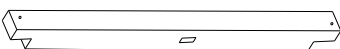
B(7) x 1



B(8) x 1



B(9) x 1



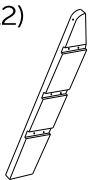
B(10) x 2



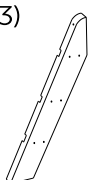
B(11) x 1



B(12) x 1



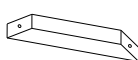
B(13) x 1

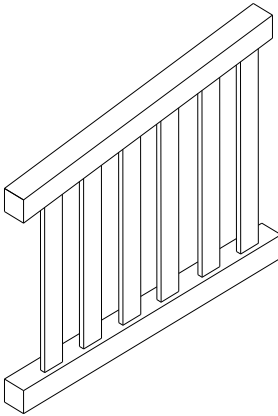
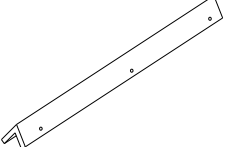
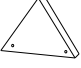
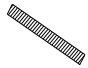

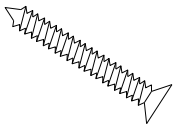
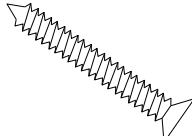
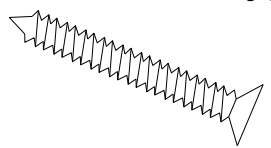
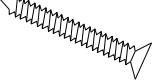
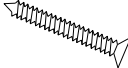



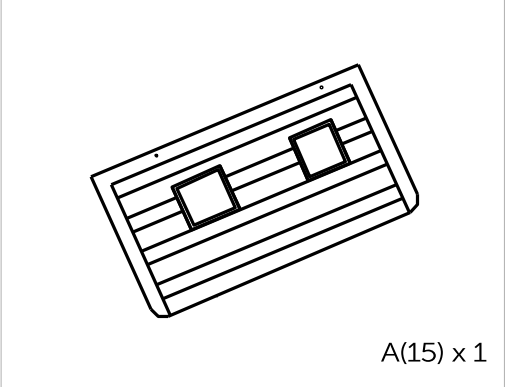
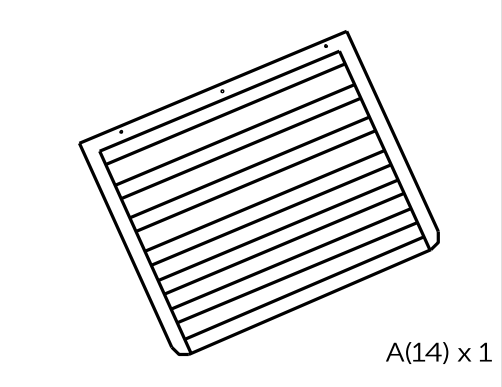
B(14) x 3



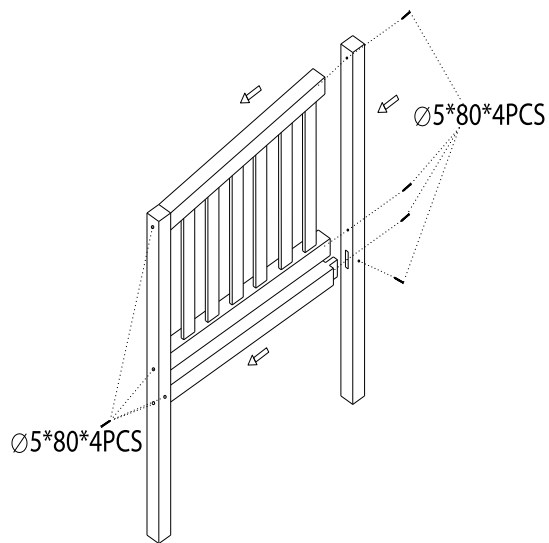
B(14) x 8



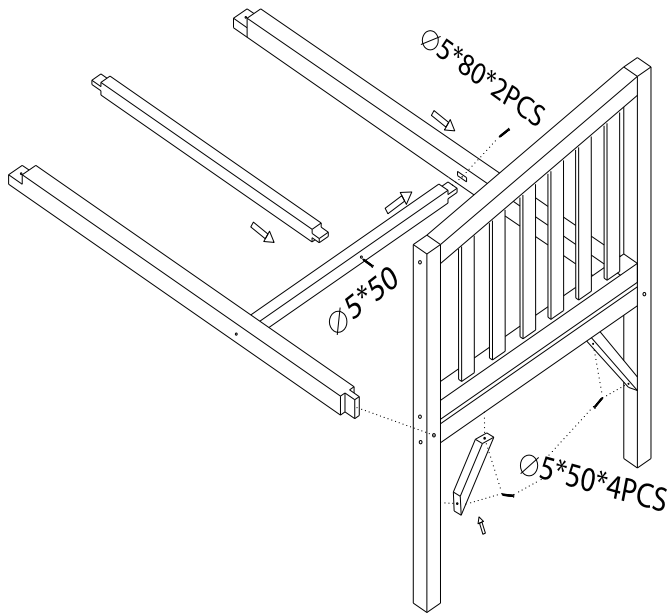
 <p>B(16) x 1</p>	 <p>A(16) x 1</p>	 <p>A(17) x 2</p>	 <p>C x 3</p>	 <p>C x 6</p>
	 <p>4*40*40PCS</p>	 <p>5*50*29PCS</p>	 <p>5*80*17PCS</p>	
	 <p>4*30*4PCS</p>	 <p>4*25*30PCS</p>	 <p>LL x 4</p>	



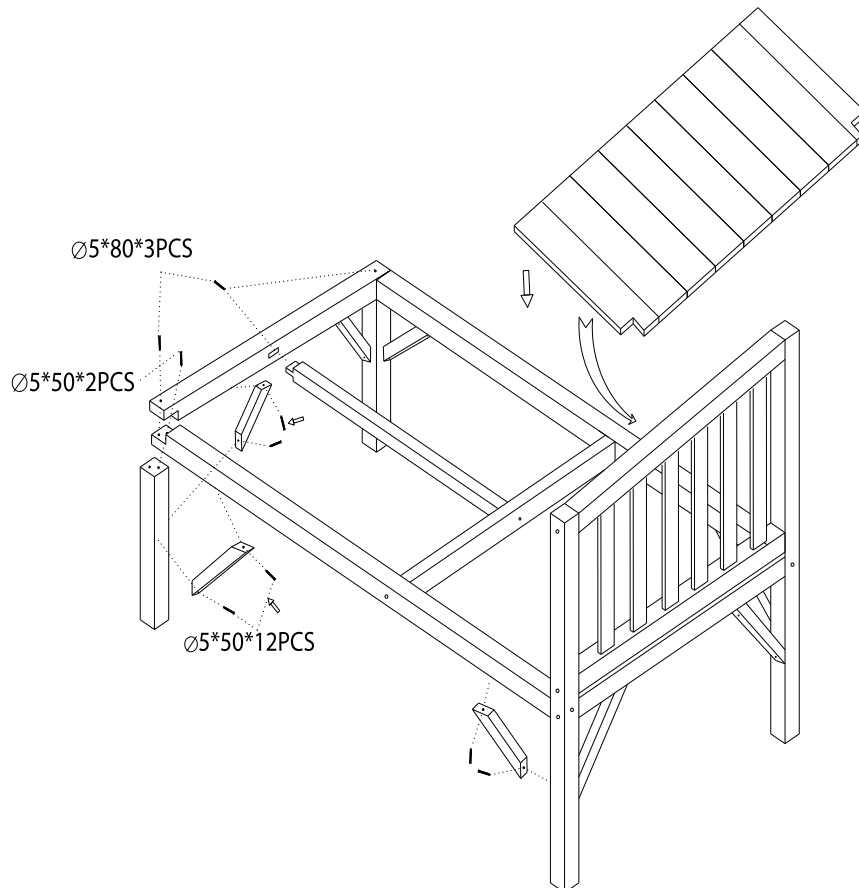
STEP1



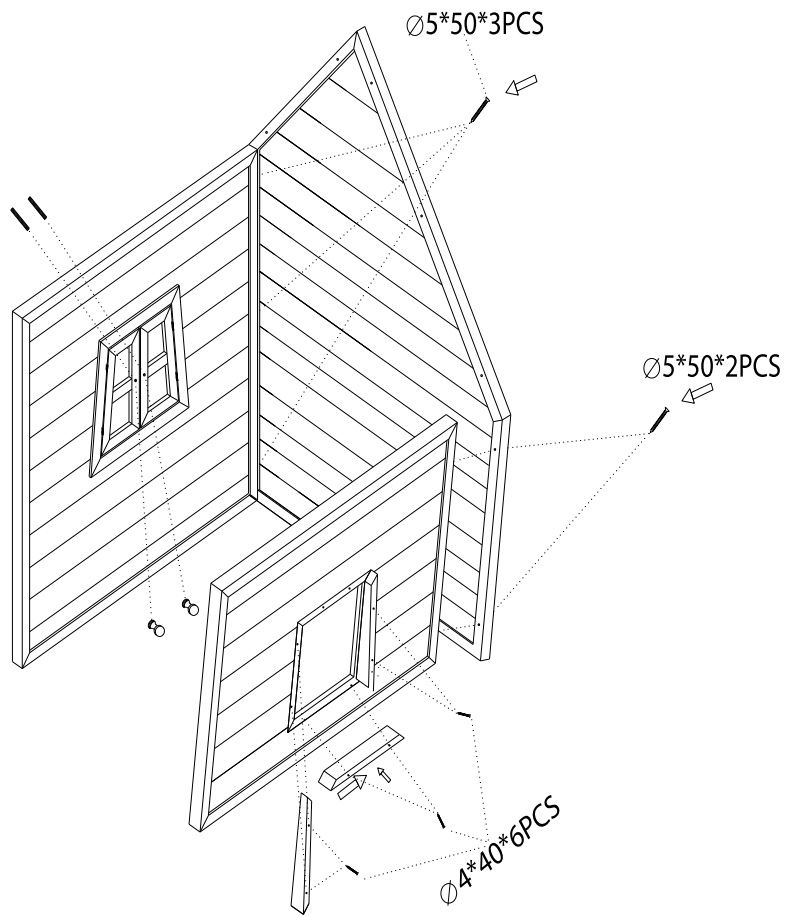
STEP2



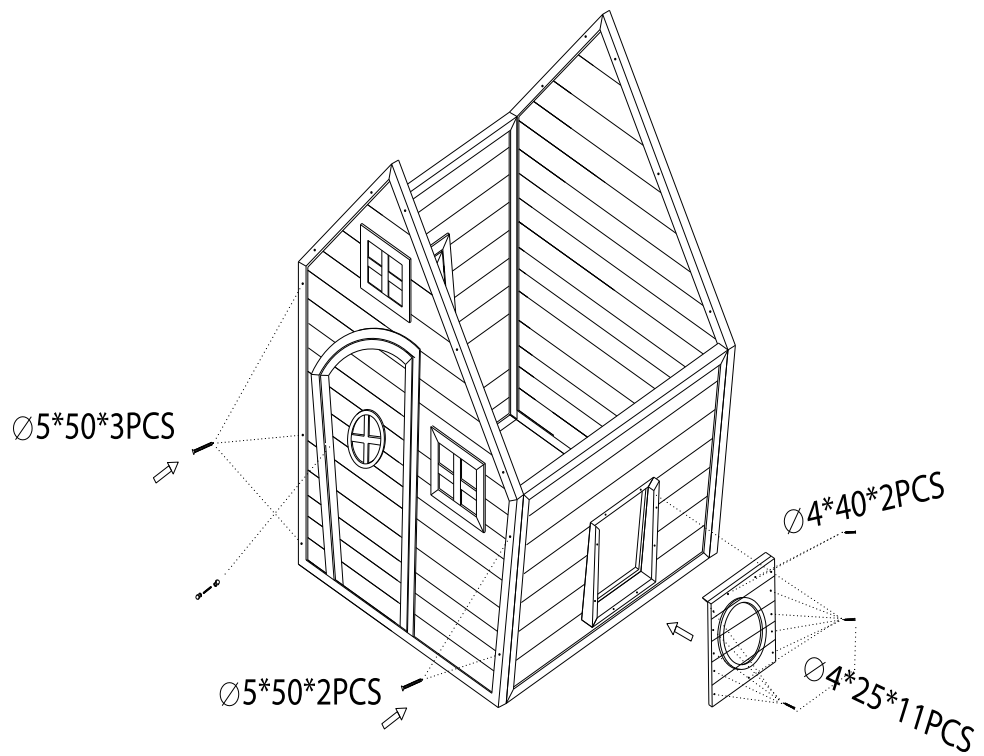
STEP3



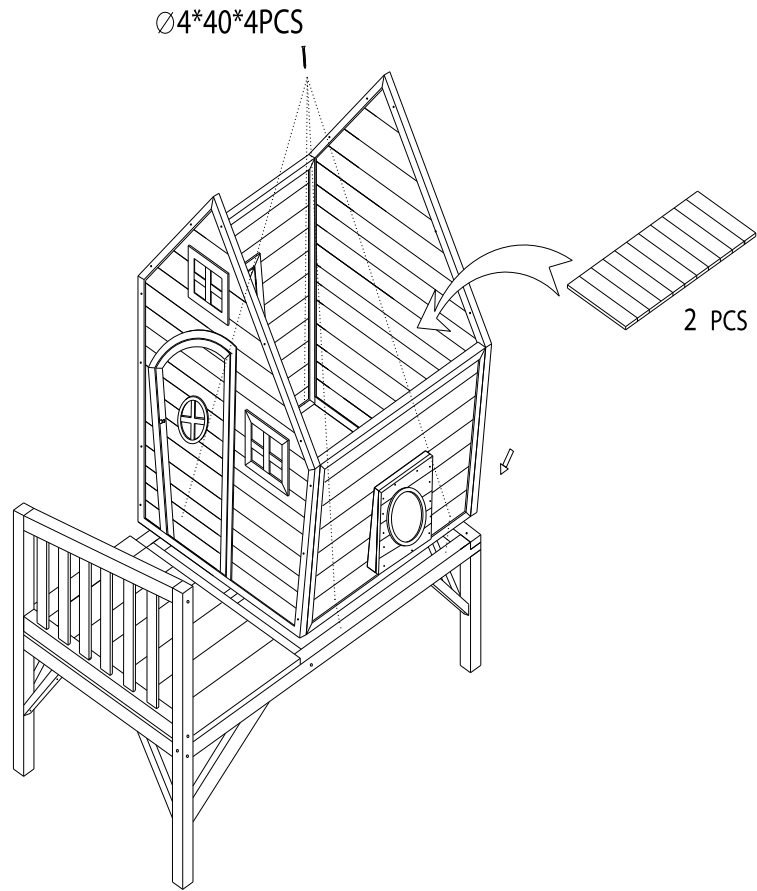
STEP4



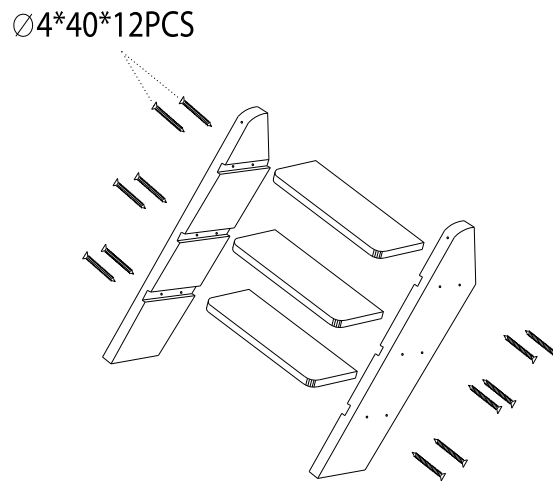
STEP5



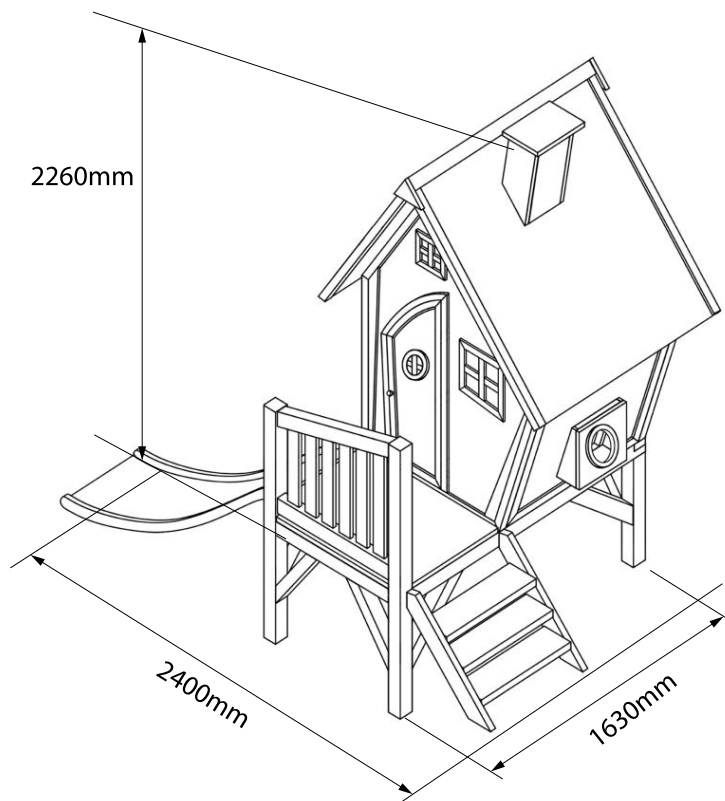
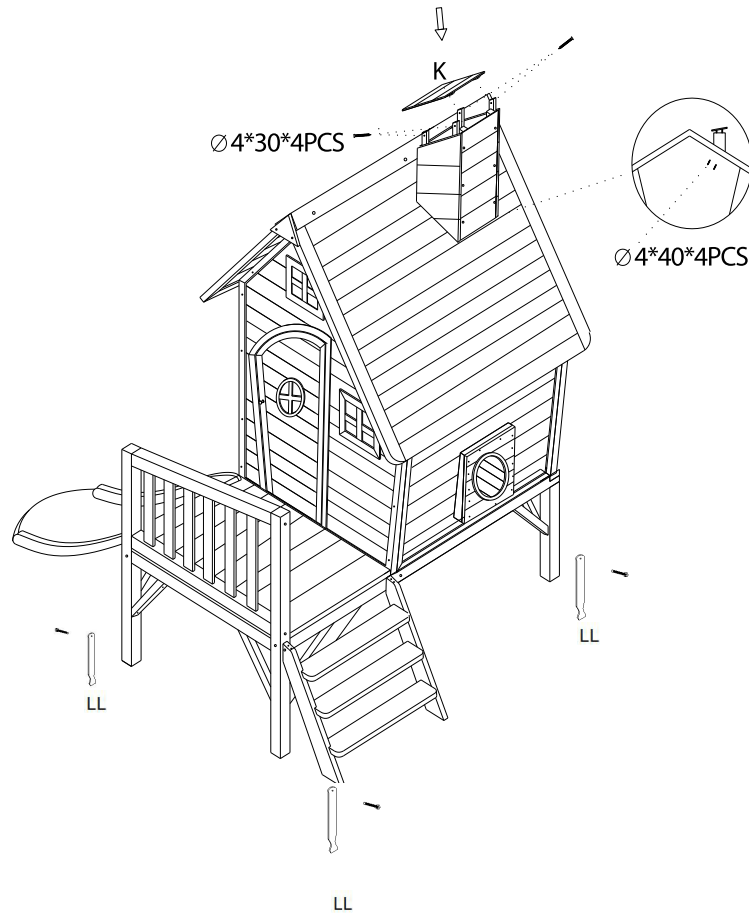
STEP6



STEP7



STEP8



Warning: Maximum fall heights 1.20 m