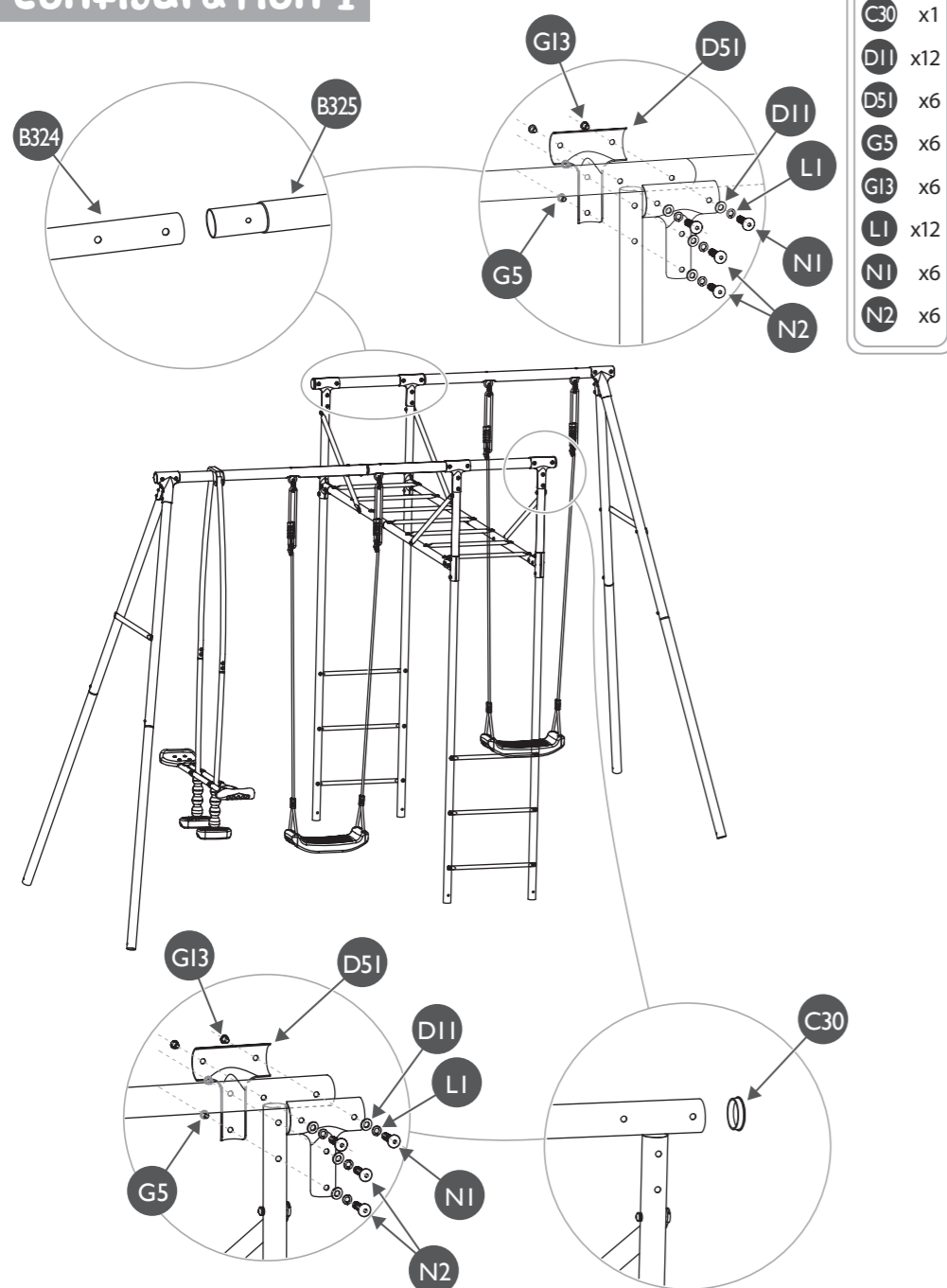






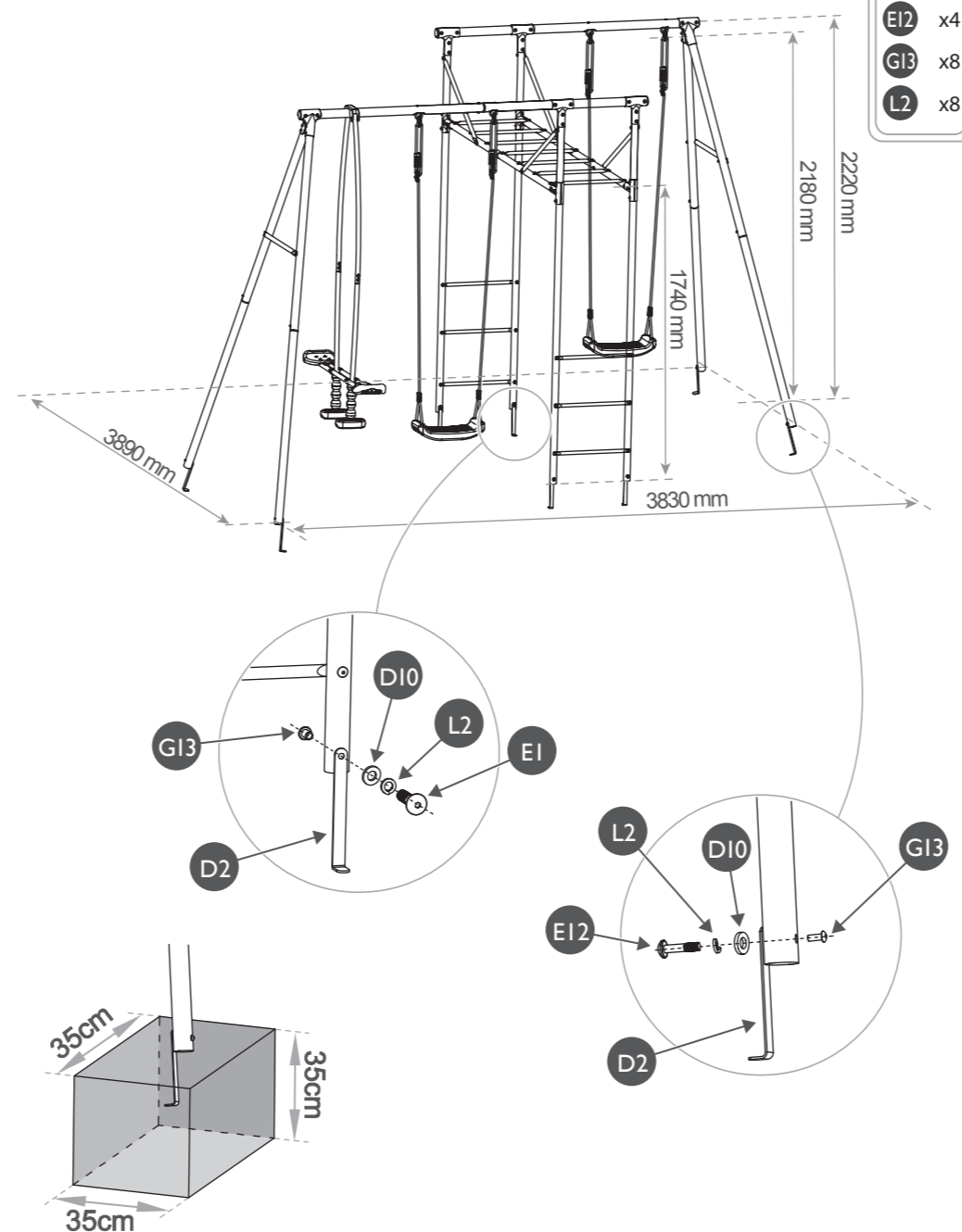
## 9 configuration 1



B324	x1
C30	x1
D11	x12
D51	x6
G5	x6
G13	x6
LI	x12
NI	x6
N2	x6

## 10 configuration 1

Warning: Maximum fall heights 2.18 m



D2	x8
D10	x8
E1	x4
E12	x4
G13	x8
L2	x8

### SWING PLAY SET

Thank you for purchasing the Swing Set  
Warning: Only for domestic outdoor use.

This Swing Set satisfies all the requirements of the Australian Standard AS/NZS ISO 8124 and has been certified by an independent laboratory. To guarantee safety, please give special attention to the assembly, safety, and care instructions detailed in this document.

### ASSEMBLY ADVICE

- Follow the instructions exactly.
- This product must be assembled by adults.
- Once assembly has been completed, keep the instructions in a safe place for future reference.
- Before commencing assembly, check that none of the parts are missing.
- Retain extra parts to use as spares in the future if necessary.

### SAFETY ADVICE

- As per legal requirements, a swing seat with flexible means of suspension must have a 35cm minimal distance between the ground and the swing. This distance is important for safety. The distance between the swing seat and the ground can be adjusted using the plastic height adjustment hooks. For glider, there must be a 35cm minimal distance between the ground and footrest, and 40cm between ground and seating surface of swing seat.
- Warning: This product is only to be used by children between the ages of 3 and 12.
- Warning: Not to be used by anyone weighing over 50kgs.
- Warning: Choking hazard-small parts can be dangerous to children.
- This product is for private use at home only. Under no circumstances is it to be used in parks, schools, camp sites, hotels, public leisure areas etc.
- The swing set should be set up on a flat surface and 2 metres away from any structures or obstacles (walls, fences, trees, washing lines, cables etc).
- To avoid eye damage, we advise that the swing should not be setup directly facing the sun.
- The swing set should be installed over impact absorbing surfaces such as sand, wood-bark chips, rubber and foam and must NOT be set up on a hard surface (concrete, tarmac etc). detail surfacing materials please refer attached consumer information sheet.
- We recommend to secure your swing set firmly into the ground using cement.
- The anchorage must be checked regularly.
- Dispose of packaging thoughtfully.
- Do not allow children to play with packaging.
- Please see below diagram for maximum fall height of swing.

### FIXING INTO THE GROUND

- IMPORTANT!** For safety reasons, your swing must be embedded into the ground.
- Place your swing set in the desired position and mark a square area 350mm x 350 mm around each of the feet. Dig holes 350 mm deep. (The feet must be in the center of the square).
- Fill the holes with concrete. Do not exceed the ground level. Fit the embedding piece into the center of the concrete so that fixtures for screwing the posts into place rise out of the concrete.
- When the concrete is dry, screw the posts to the embedding pieces.
- Anchors shall be placed level with or under ground in order to reduce tripping hazards.

### MAINTENANCE

- All parts should be checked at least once a month.
- Check all nuts and bolts for tightness and tighten when required.
- Check for signs of wear to bolt coverings. If sharp edges are found, replace as required.
- Check swing seats, chains, ropes and other means of attachment for evidence of deterioration; replace when required in accordance with the manufacturer's instructions
- All parts that are under constant friction should be oiled regularly using a suitable lubricant.
- The ground on which the play centre is set up should be cleared regularly. All objects such as stones or anything else that could cause injury in the case of a fall should be removed.
- It is recommended that during the winter period when the equipment is not in use, all apparatus are removed to prevent deterioration due to bad weather.
- Make regular checks on the area where the chain joins the swing seat. If the hole shows sign of wear, the swing seat should be replaced immediately. Check swing seats, chains, ropes and other means of attachments for evidence of deterioration.

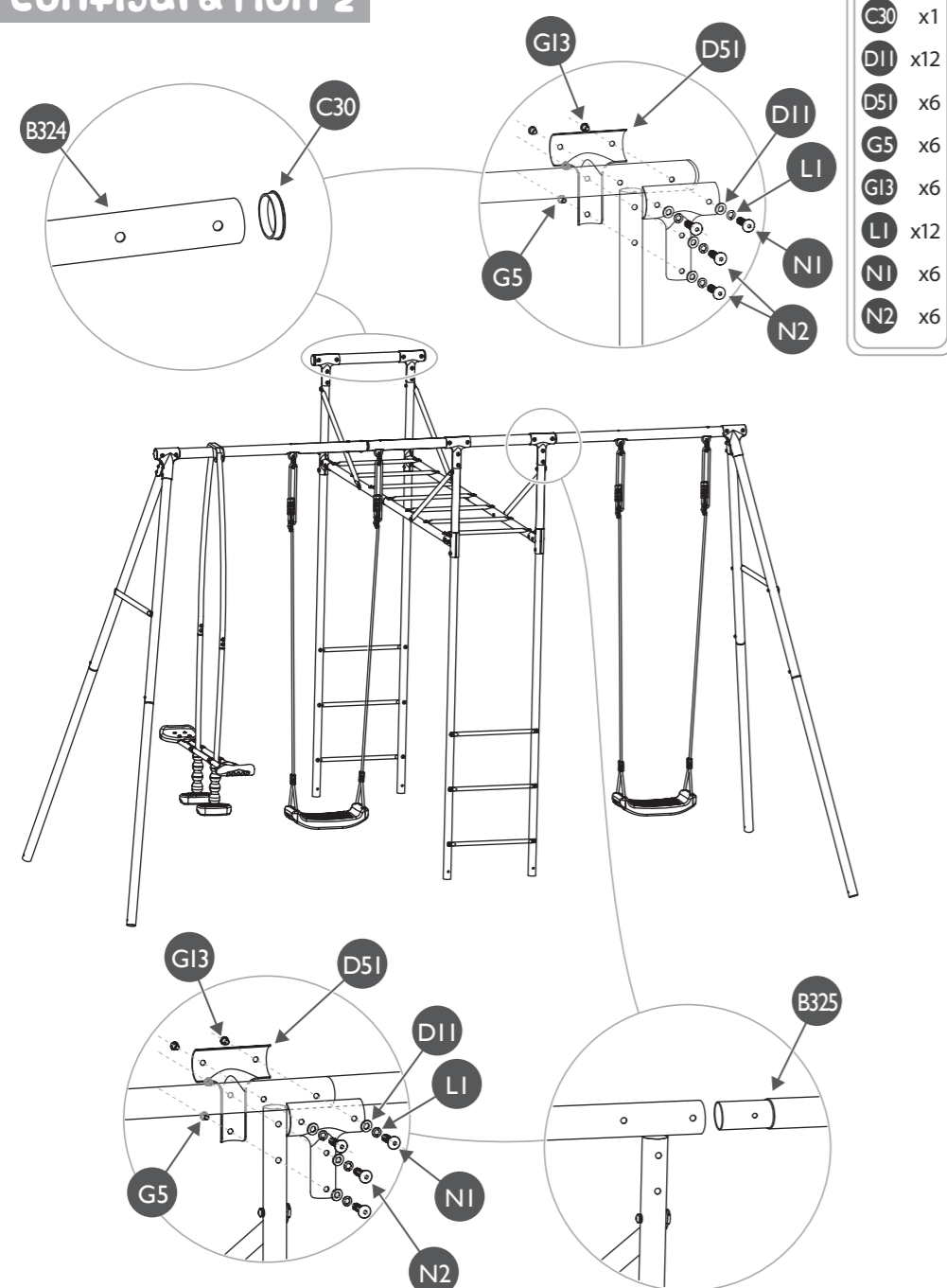


- Sand rusted areas and tubular members and repaint using a non-lead based paint when required
- Modifications to the original activity toy should only be carried out under instructions from the manufacturer.
- Defective parts should only be replaced in accordance with the manufacturer's instructions.

We hope you have a safe and enjoyable time using the swing Set.



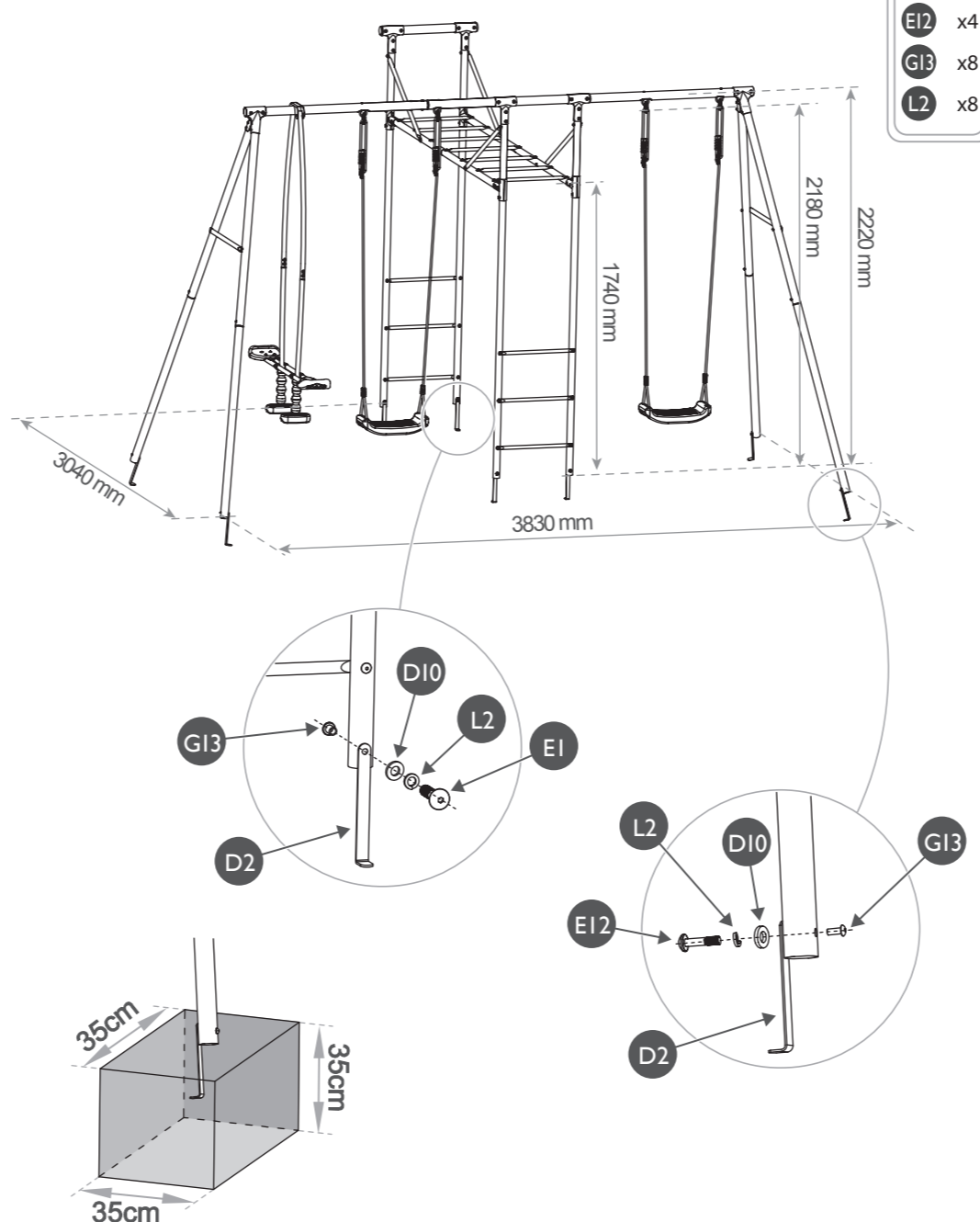
## 9 configuration 2



B324	x1
C30	x1
D11	x12
D51	x6
G5	x6
G13	x6
LI	x12
NI	x6
N2	x6

## 10 configuration 2

Warning: Maximum fall heights 2.18 m



D2	x8
D10	x8
E1	x4
E12	x4
G13	x8
L2	x8

**SWING  
SLIDE  
CLIMB**  
Customer Support: (03) 9786 0055