

# Avalon Play Set

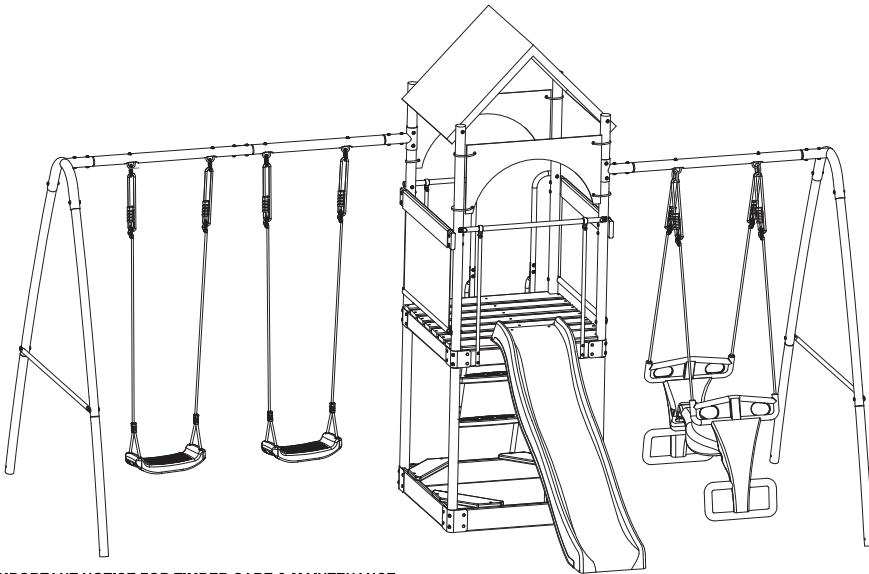


**MPS049**



**WARNING: ONLY FOR DOMESTIC OUTDOOR USE.**

THIS PLAYSET SATISFIES ALL THE REQUIREMENTS OF THE AUSTRALIAN STANDARD AS/NZS ISO 8124 AND HAS BEEN CERTIFIED BY AN INDEPENDENT LABORATORY. TO GUARANTEE SAFETY, PLEASE GIVE SPECIAL ATTENTION TO THE ASSEMBLY, SAFETY, AND CARE INSTRUCTIONS DETAILED IN THIS DOCUMENT.



**IMPORTANT NOTICE FOR TIMBER CARE & MAINTENANCE**

**THIS PRODUCT CONTAINS TIMBER COMPONENTS THAT ARE NATURALLY SUBJECT TO DETERIORATION IN THE OUTDOOR ELEMENTS AFTER YEARS OF EXPOSURE.**

TO COMBAT THE EFFECTS OF OUTDOOR EXPOSURE AND GREATLY INCREASE THE LIFESPAN OF YOUR PLAY SET OR CUBBY, WE STRONGLY RECOMMEND THAT YOU APPLY A PROTECTIVE COAT OF EXTERIOR GRADE LACQUER OR OIL TO ALL TIMBER PARTS UPON FIRST ASSEMBLY. IN ORDER TO BEST MAINTAIN THE TIMBER WE RECOMMEND REAPPLYING PROTECTIVE COATS EVERY 3-6 MONTHS.

FAILURE TO CARE FOR YOUR TIMBER PARTS BY APPLYING PROTECTIVE LACQUER OR OIL WILL GREATLY REDUCE THE LIFESPAN OF YOUR PRODUCT.

FOR INFORMATION ON THE MOST SUITABLE EXTERIOR LACQUER OR OIL, PLEASE CONSULT YOUR HARDWARE SPECIALIST.

#### ASSEMBLY ADVICE

- Follow the instructions exactly.
- This product must be assembled by adults.
- Once assembly has been completed, keep the instructions in a safe place for future reference. This can be particularly handy for identification of parts if any after sales service is required.
- Before commencing assembly, check that none of the parts are missing. If you find that you are missing a part please contact our after sales service department.
- Retain extra parts to use as spares in the future if necessary.
- Pre-Drill timber before fixing with screws to avoid cracks in the timber.

The dimensions given in the instructions are indicative only, they may vary according to the assembly method.

- SAFETY ADVICE** - As per legal requirements, a swing seat with flexible means of suspension must have a 40cm minimal distance between the ground and the swing. This distance is important for safety. The distance between the swing seat and the ground and the trapeze and the ground can be adjusted using the plastic height adjustment hooks.
- Warning: This product is only to be used by children between the ages of 3 and 12.
  - Warning: Not to be used by anyone weighing over 50kgs.
  - Warning: Choking hazard-small parts can be dangerous for children.
  - Warning: It must be used under adult supervision.
  - This product is for private use at home only. Under no circumstances is it to be used in parks, schools, camp sites, hotels, public leisure areas etc.
  - The Play Set should be set up on a flat surface and 2 metres away from any structures or obstacles (walls, fences, trees, washing lines, cables etc).
  - To avoid eye damage, we advise that the swing and slide should not be setup directly facing the sun.
  - The Play Set should be installed over impact absorbing surfaces such as sand, wood-bark chips, rubber and foam and must NOT be set up on a hard surface (concrete, tarmac etc).detail surfacing materials please refer attached consumer information sheet.
  - We recommend to secure your swing set firmly into the ground using cement.
  - The anchorage must be checked regularly.
  - Dispose of packaging thoughtfully.
  - Do not allow children to play with packaging.
  - Please see below diagram for maximum fall height of swing.

**CAUTION !** This Product includes timber and/or fabric, Please Keep away from fire.

#### FIXING INTO THE GROUND

**IMPORTANT !** For safety reasons, your Play Set must be embedded into the ground.

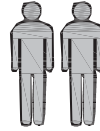
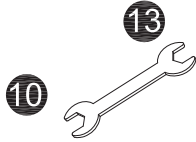
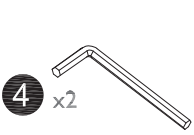
- Place your Play Set in the desired position and mark a square area 300mm x 300 mm around each of the feet. Dig holes 300 mm deep. (The feet must be in the center of the square) - Fill the holes with concrete. Do not exceed the ground level. Fit the embedding piece into the center of the concrete so that fixtures for screwing the posts into place rise out of the concrete.
- When the concrete is dry, screw the posts to the embedding pieces.
- Anchors shall be placed level with or under ground in order to reduce tripping hazards."

**IMPORTANT !** Wait until the concrete is set before using and check anchorages regularly.

#### MAINTENANCE

- All parts should be checked at least once a month.
  - Check all nuts and bolts for tightness and tighten when required.
  - Check for signs of wear to bolt coverings. If sharp edges are found, replace as required.
  - In certain regions (seaside areas), certain coatings could be prone to damage. In this case, it is advised to use a rust prevention treatment.
  - Check swing seats, chains, ropes and other means of attachment for evidence of deterioration; replace when required in accordance with the manufacturer's instructions.
  - All parts that are under constant friction should be oiled regularly using a suitable lubricant.
  - The ground on which the play centre is set up should be cleared regularly. All objects such as stones or anything else that could cause injury in the case of a fall should be removed.
  - It is recommended that during the winter period when the equipment is not in use, all apparatus are removed to prevent deterioration due to bad weather.
  - Sand rusted areas and tubular members and repaint using a non-lead based paint when required
  - Modifications to the original activity toy should only be carried out under instructions from the manufacturer.
  - Defective parts should only be replaced in accordance with the manufacturer's instructions.
  - For aesthetic reasons, you may want to apply a timber treatment to the timber parts.
- All outdoor wooden products require routine inspection and regular maintenance. After installation, a follow-up inspection should take place after one week and twice a month thereafter for the remaining life of your play products. Maintenance should be performed at any time it is deemed necessary. As a general rule, major maintenance (wood refinishing) should be performed at twelve month intervals from the date of installation. Inspect and perform maintenance based on the following checklist. Major wooden parts: Inspect for splintering and structure defects at regular intervals. For very minor splinters or chipping, lightly sanding and refinish with an exterior water repellent stain can assist. If timber has cracked or split significantly, replacement parts may be required, please contact national customer service centre for any replacement requirements
- At regular intervals, the application of a penetrating oil based sealer stain to all wooden components is essential. Please consult your local hardware or home improvement store for recommendation of an appropriate product. Ensure the product does not contain hazardous chemicals once dry that can pose a potential health risk to children. We hope you have a safe and enjoyable time using the Multi Play Set.

Customer Support: (03) 9786 0055



YB17 x2



YB52 x2



YB61 x3



YB62 x4



YB88 x1



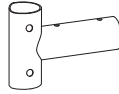
YB92 x2



YB291 x2



YB292 x2



YB293 x3



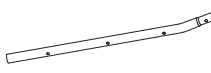
YB294 x1



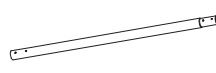
YB295 x1



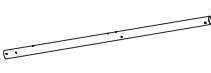
YB296 x2



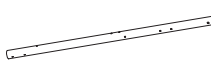
YB297 x4



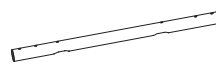
YB298 x2



YB299 x2



YB314 x2



YB315 x1



YB316 x4



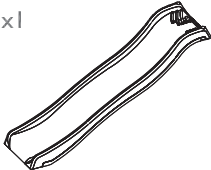
YB317 x4



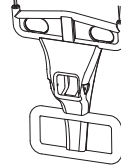
YC18 x3



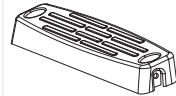
YC24 x1



YC25 x2



YC27 x3



YC30 x4



YC26 x1



YC40 x2



YD2 x8



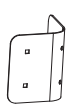
YD3 x6



YD6 x4



YD7 x4



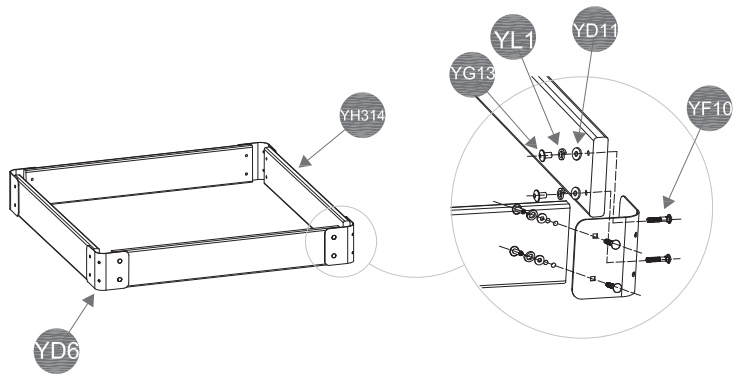
YD10 x55



YD11 x66

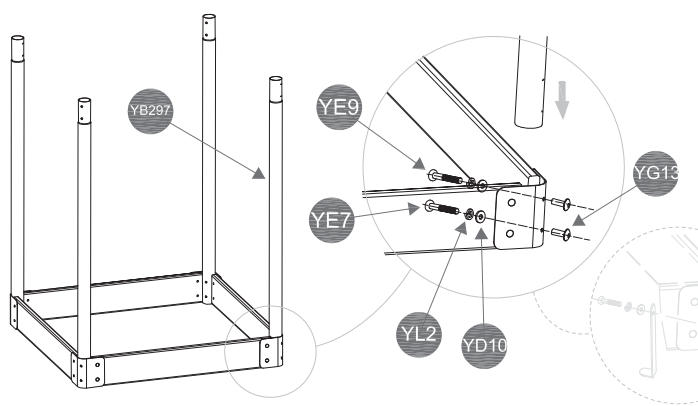


1



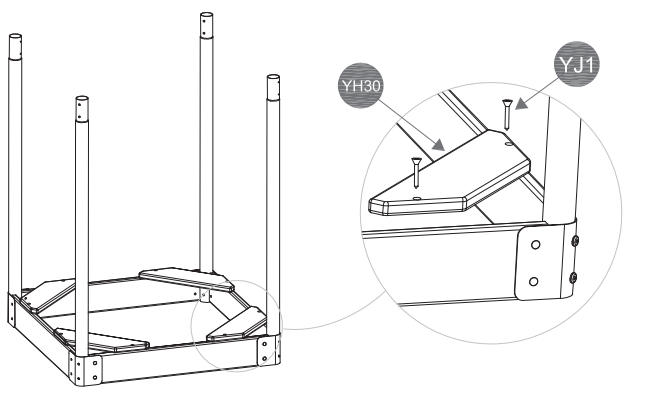
- YD6 x4
- YD11 x16
- YG10 x16
- YG13 x16
- YH314 x4
- YL1 x16

2



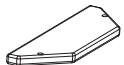

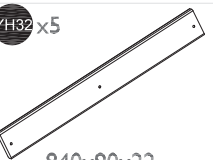
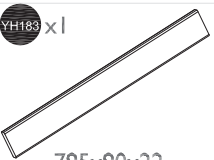

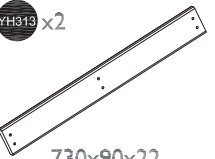
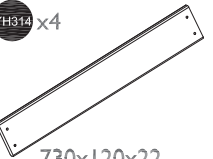

- YB297 x4
- YD10 x8
- YE7 x4
- YE9 x4
- YG13 x8
- YL2 x8

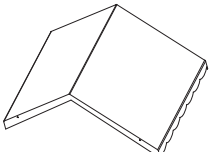
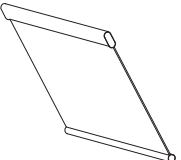
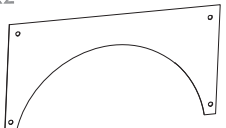
3

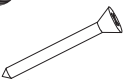
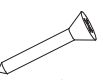
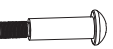
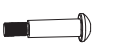








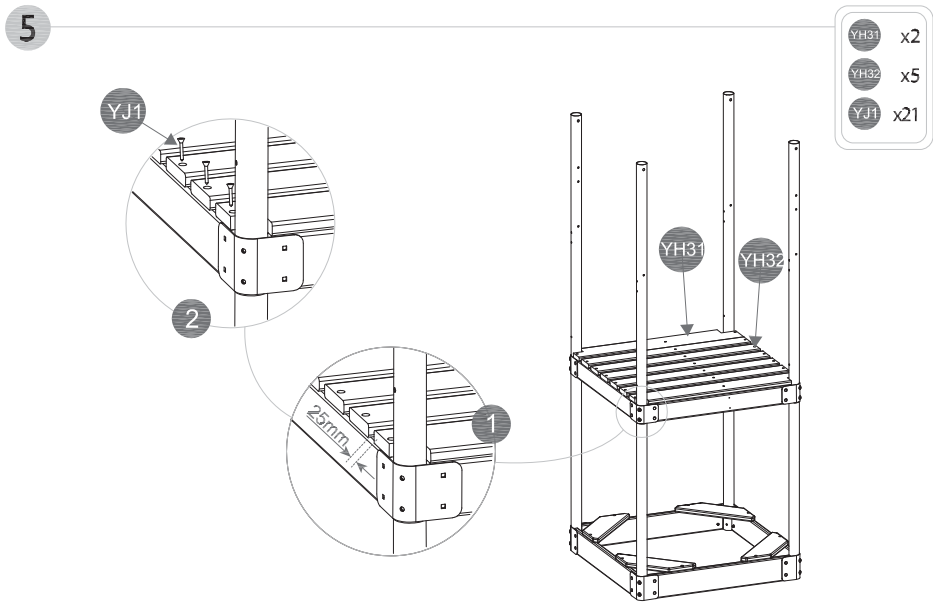
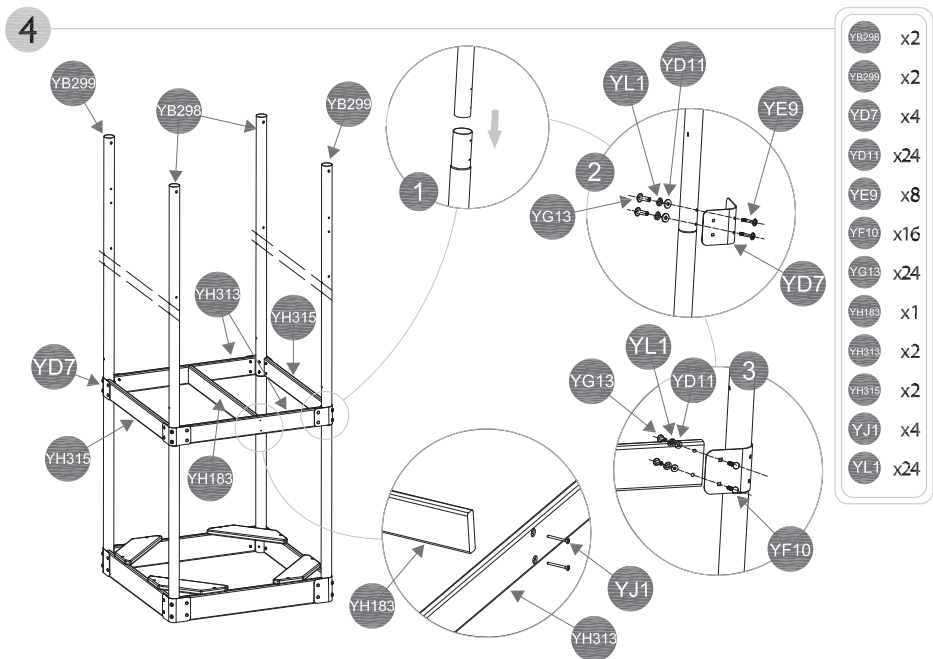
- YJ1 x8
- YH30 x4

<p>YE7 x10</p>  <p>Ø6x50</p>	<p>YE9 x16</p>  <p>Ø6x45</p>	<p>YE12 x10</p>  <p>Ø6x40</p>	<p>YE20 x4</p>  <p>Ø6x63</p>	<p>YE29 x8</p>  <p>Ø6x20</p>
<p>YE33 x10</p>  <p>Ø6x68</p>	<p>YE54 x6</p>  <p>Ø6x16</p>	<p>YF10 x32</p>  <p>Ø6x20</p>	<p>YG4 x3</p>  <p>Ø4x12</p>	<p>YG13 x102</p>  <p>Ø6x20</p>

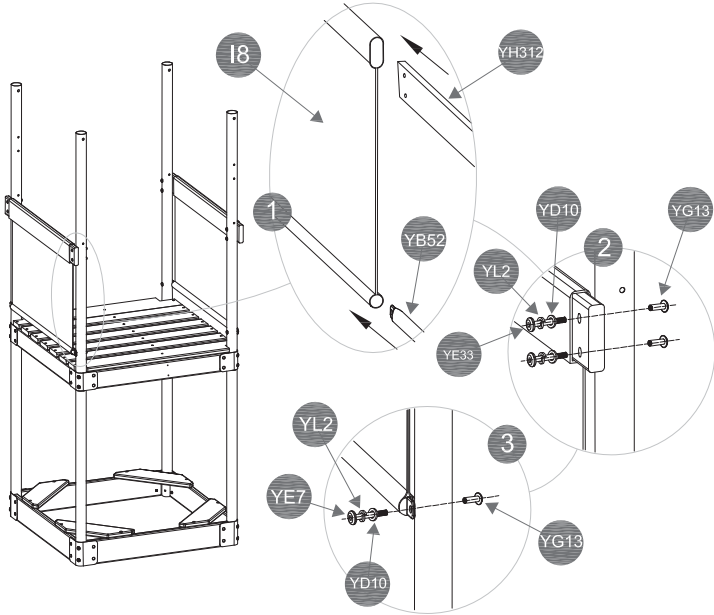
<p>YH30 x4</p>  <p>400x120x22</p>	<p>YH31 x2</p>  <p>840x120x22</p>	<p>YH32 x5</p>  <p>840x90x22</p>	<p>YH183 x1</p>  <p>795x90x22</p>
<p>YH312 x2</p>  <p>840x90x22</p>	<p>YH313 x2</p>  <p>730x90x22</p>	<p>YH314 x4</p>  <p>730x120x22</p>	<p>YH315 x2</p>  <p>730x90x22</p>

<p>14 x1</p> 	<p>18 x2</p> 	<p>19 x2</p> 
--	--	---

<p>YJ1 x43</p>  <p>Ø4.5x40</p>	<p>YJ3 x2</p>  <p>Ø5x25</p>	<p>YN1 x12</p>  <p>Ø8x50/M6</p>	<p>YN2 x6</p>  <p>Ø8x45/M6</p>	<p>YN30 x3</p>  <p>Ø6x15/M4</p>
<p>YG2 x6</p>  <p>Ø8</p>	<p>YG6 x6</p>  <p>Ø6</p>	<p>YL1 x66</p>  <p>Ø8</p>	<p>YL2 x45</p>  <p>Ø6</p>	<p>YK2 x8</p> 

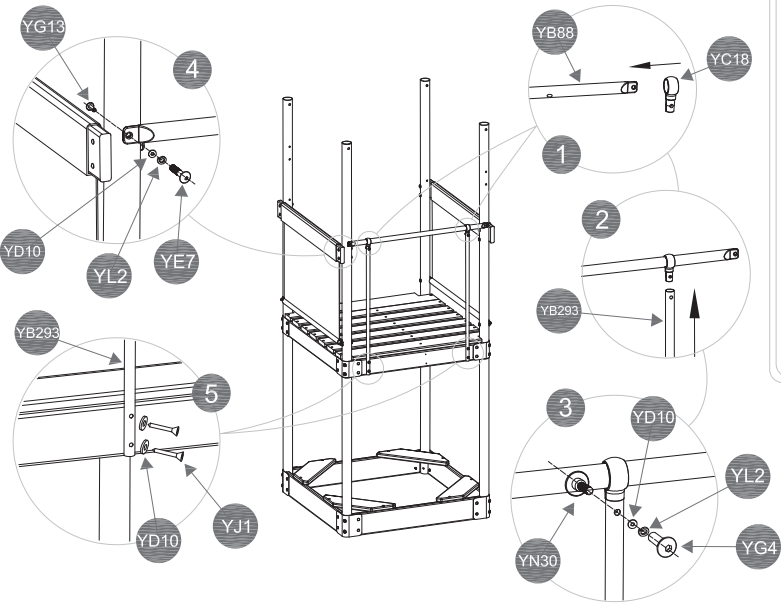


6

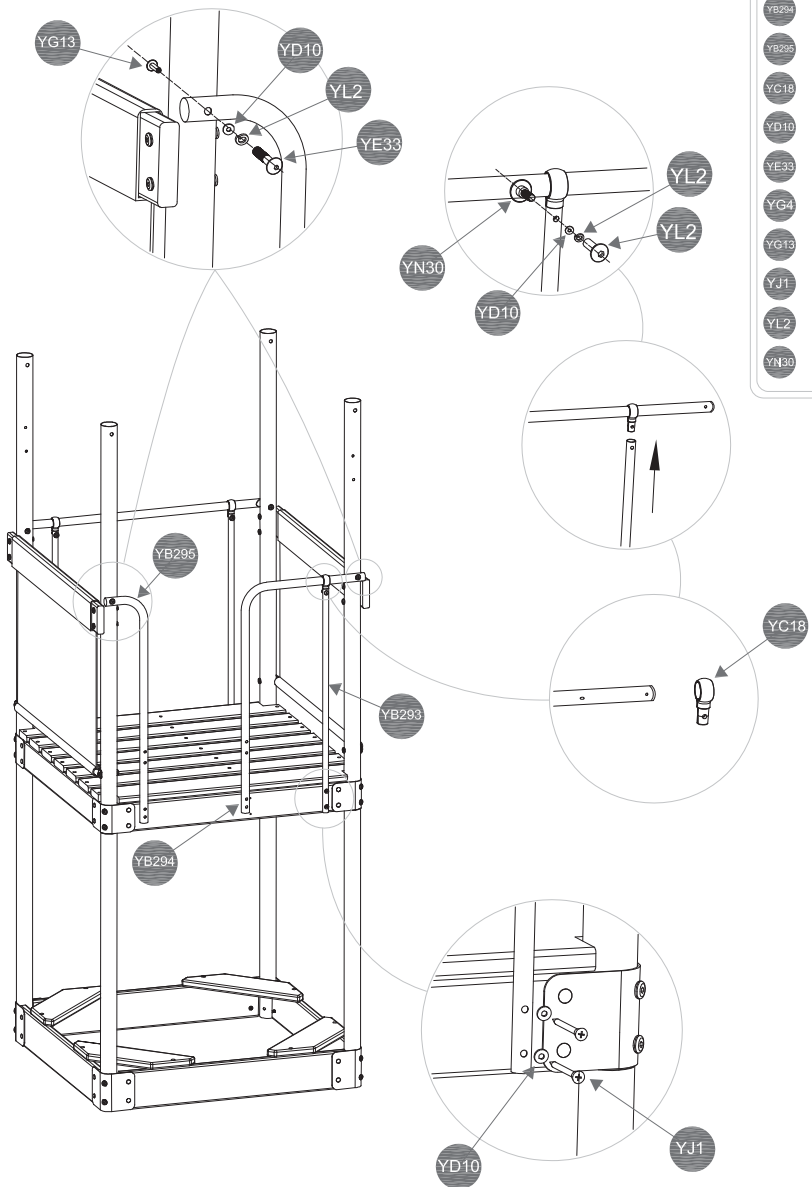


- YB52 x2
- YD10 x12
- YE7 x4
- YE33 x8
- YG13 x12
- YH312 x2
- 18 x2
- YL2 x12

7

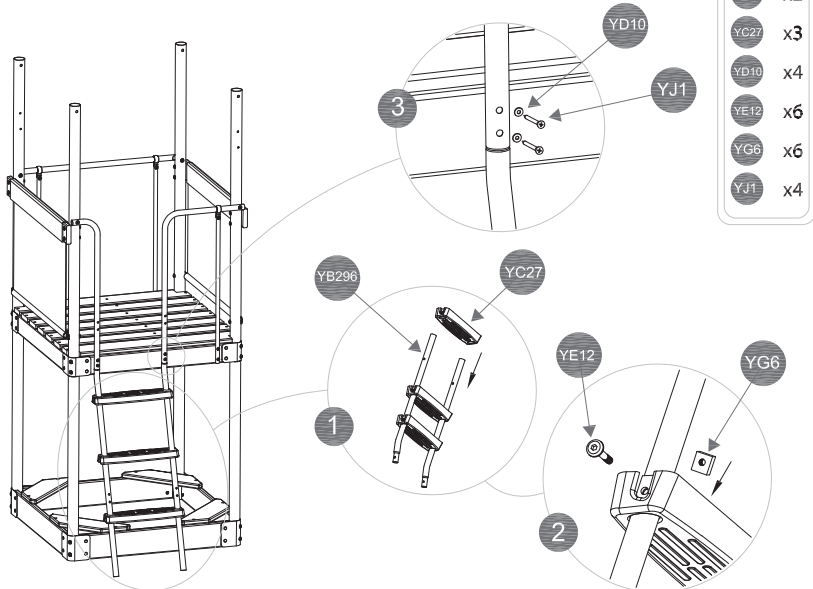


- YB88 x1
- YB293 x2
- YC18 x2
- YD10 x8
- YE7 x2
- YG4 x2
- YG13 x2
- YJ1 x4
- YL2 x4
- YN30 x2

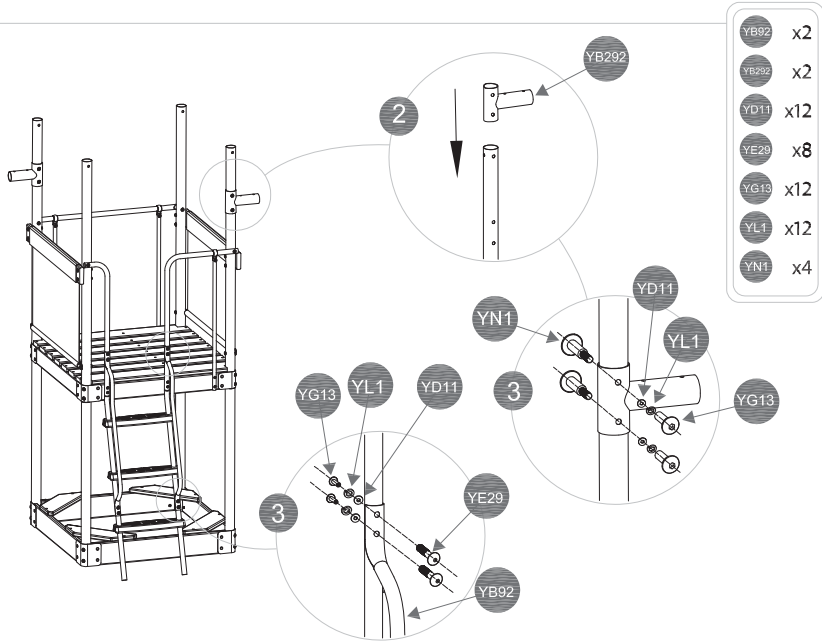




9

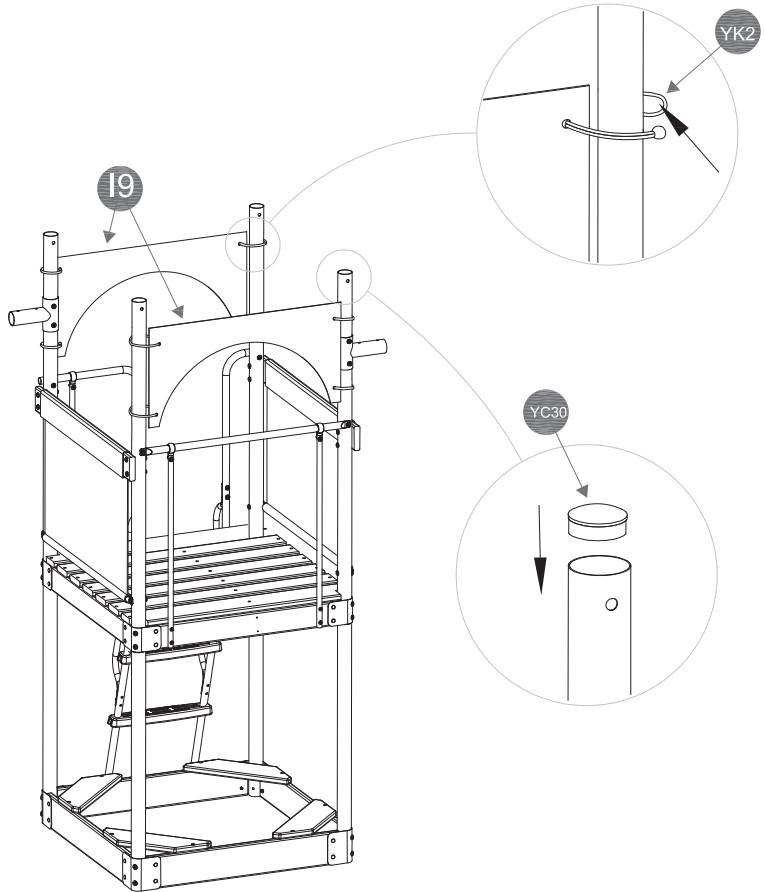


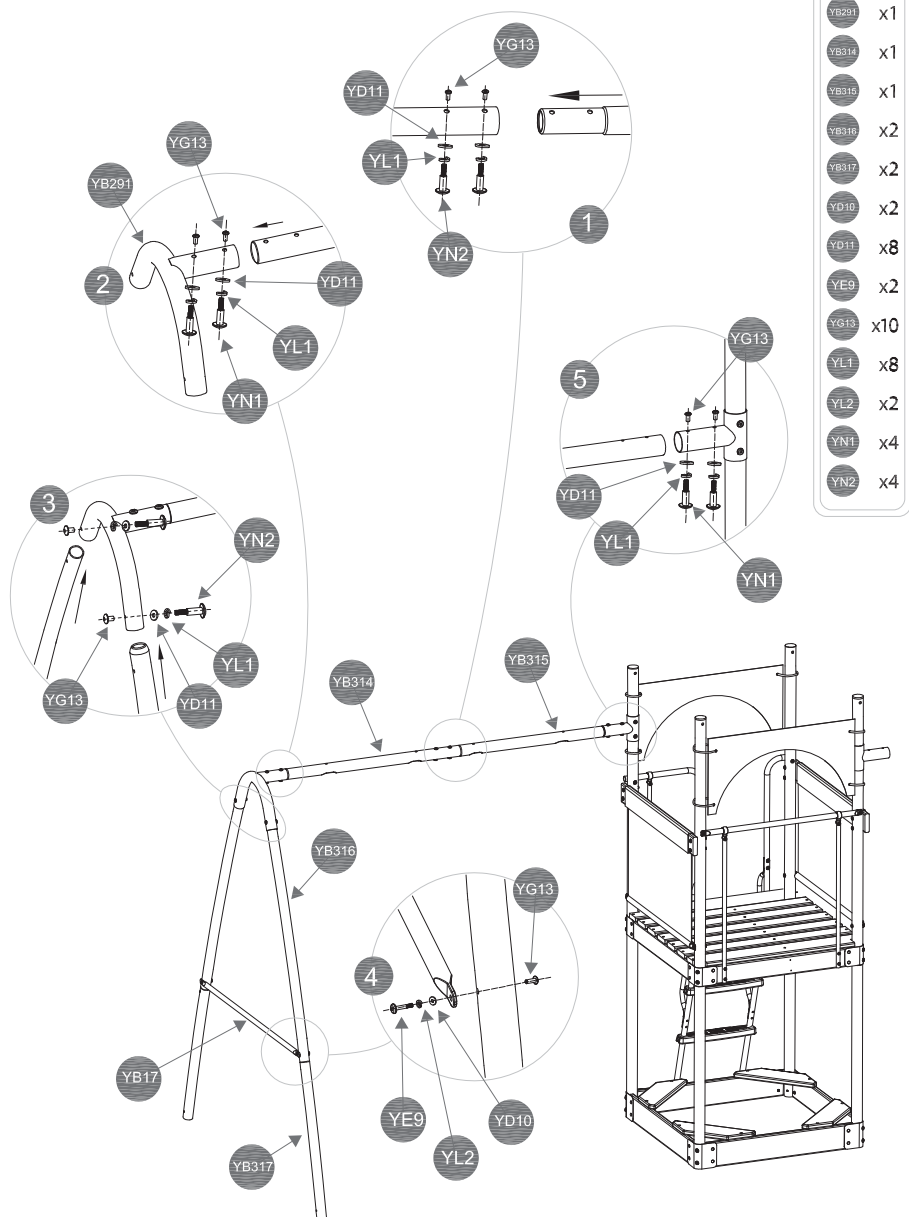
10



11

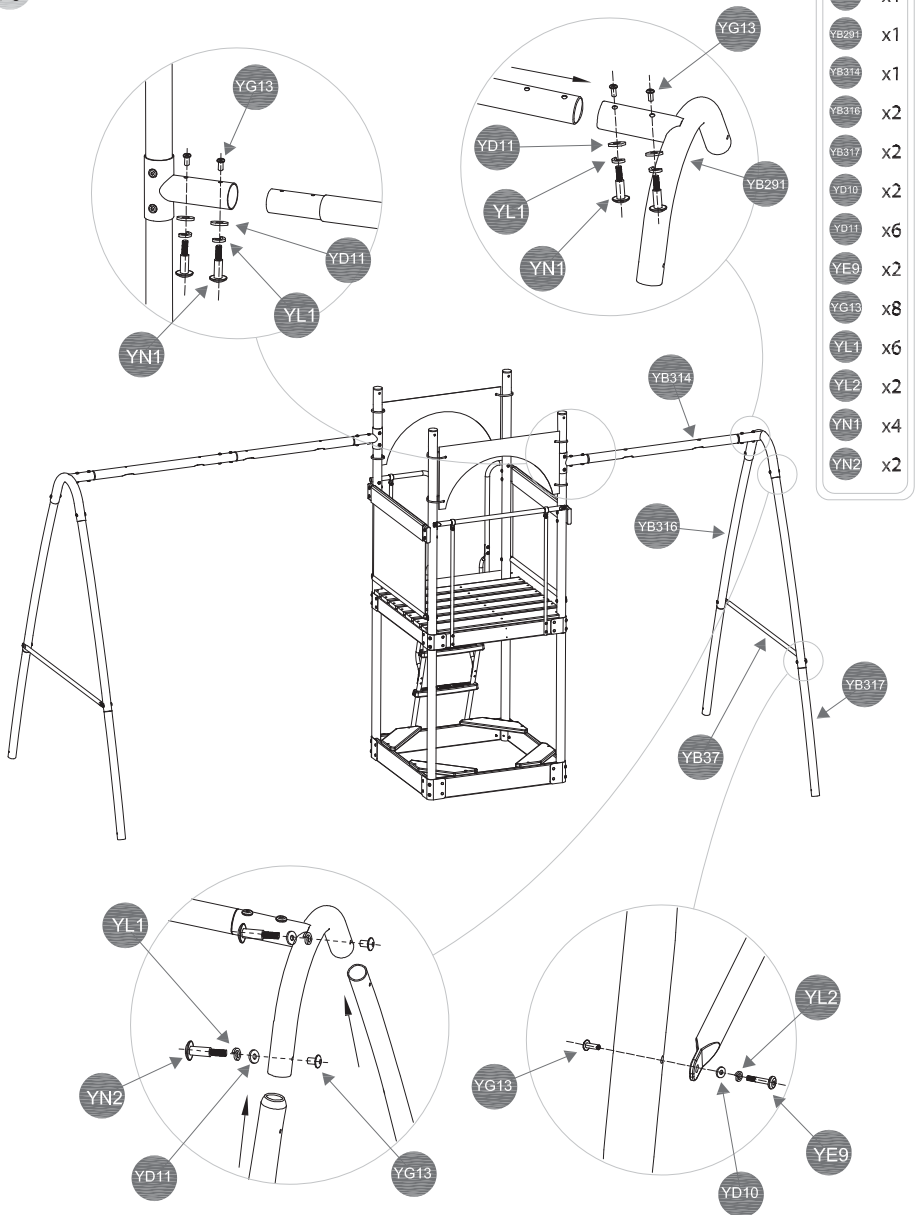
- 19 x2
- YK2 x8
- YC30 x4



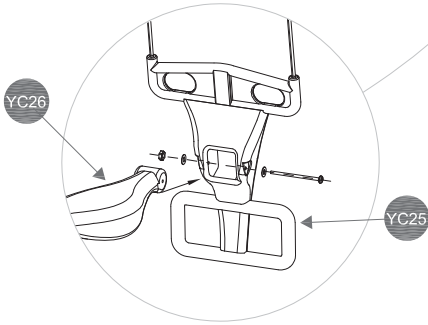
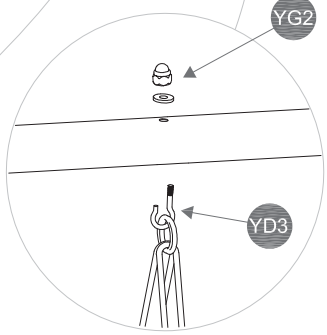
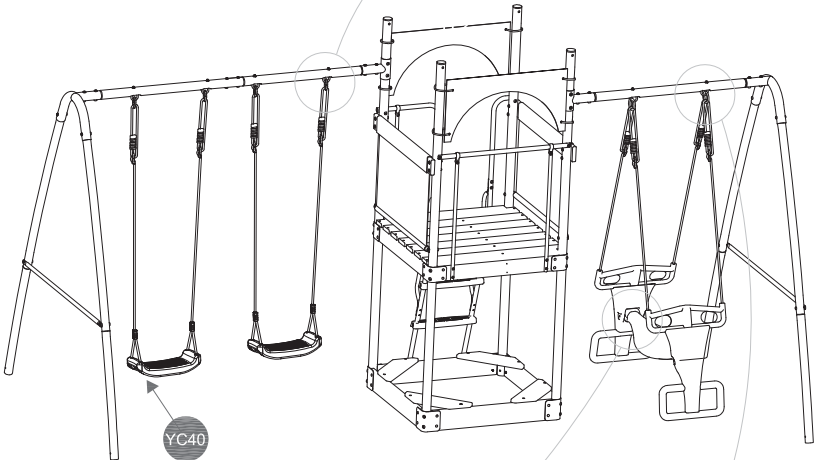
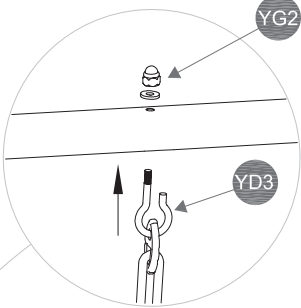


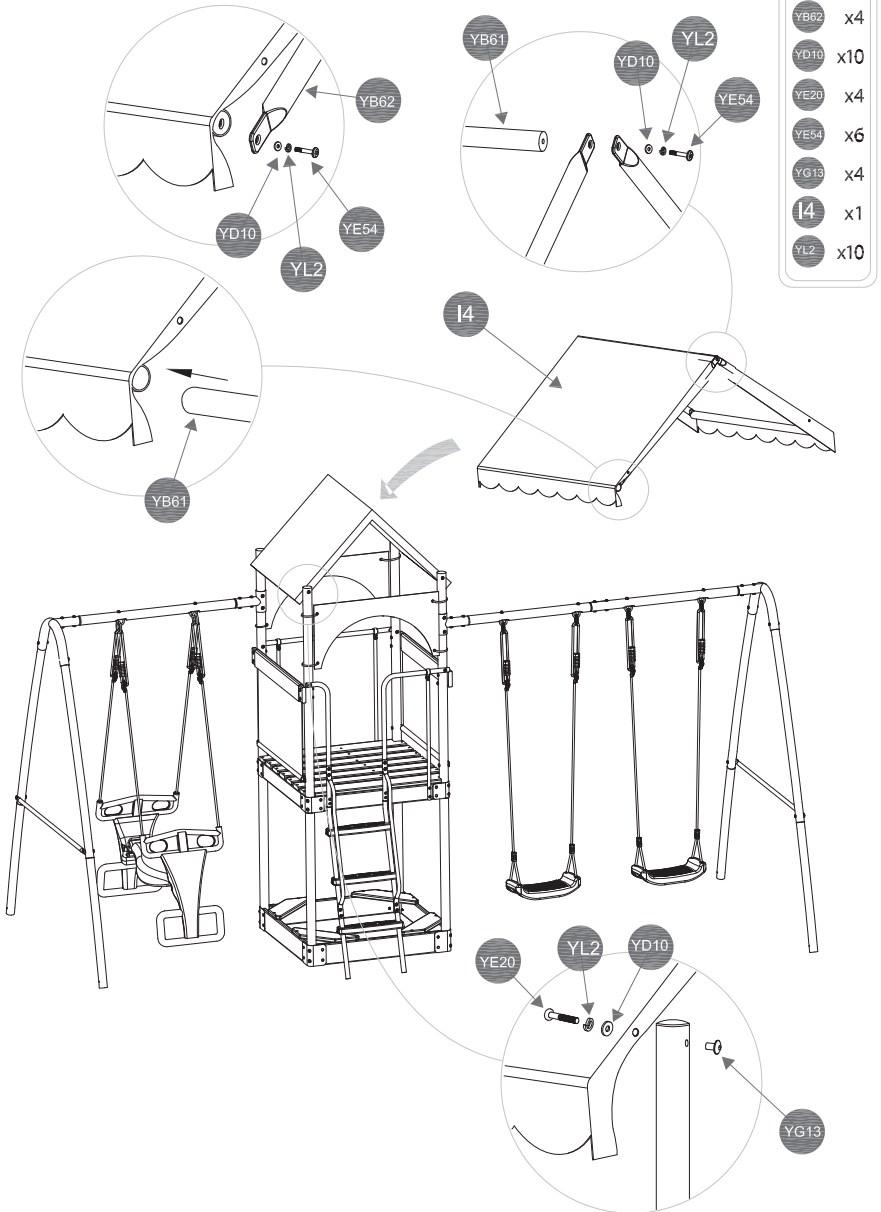
YG17	x1
YB291	x1
YB314	x1
YB315	x1
YB316	x2
YB317	x2
YD10	x2
YD11	x8
YE9	x2
YG13	x10
YL1	x8
YL2	x2
YN1	x4
YN2	x4

13

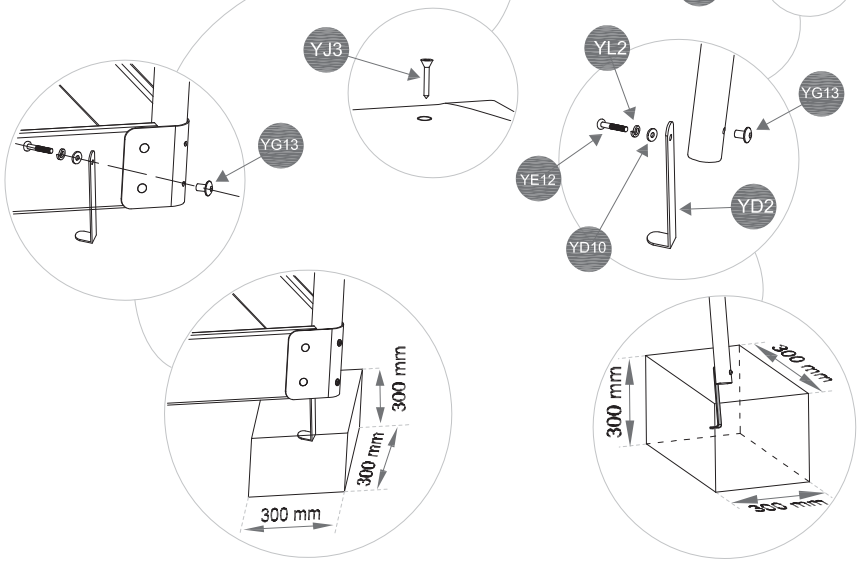
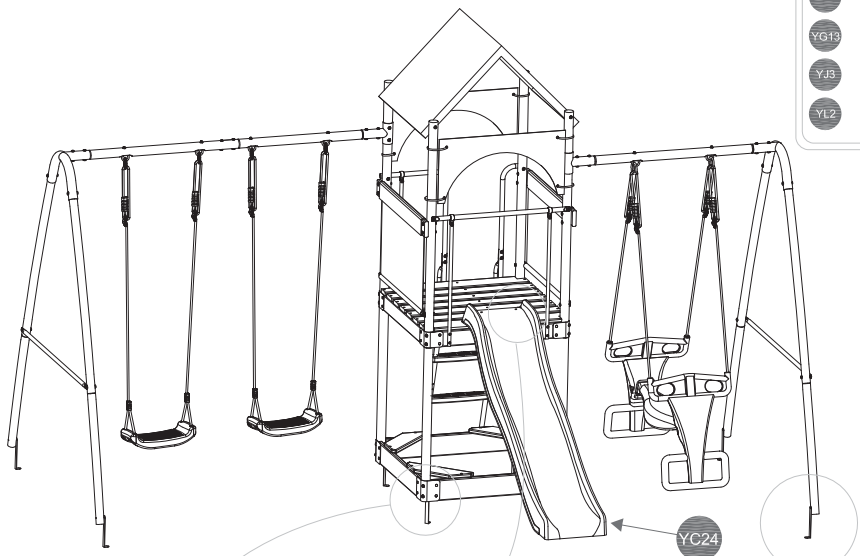


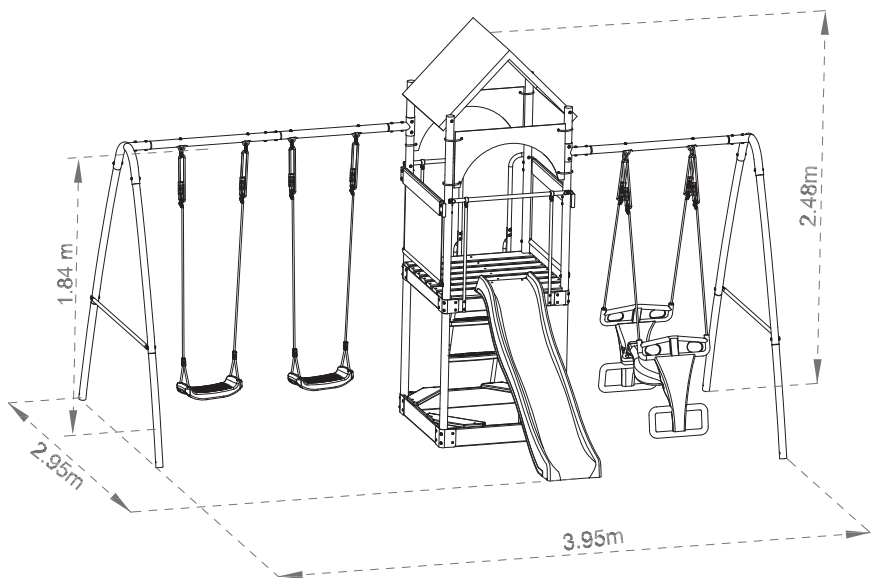
- YG25 x2
- YC26 x1
- YC40 x2
- YD3 x6
- YG2 x6





- YC24 x1
- YD2 x8
- YD10 x4
- YE12 x4
- YG13 x4
- YJ3 x2
- YL2 x4





**Warning: Maximum fall heights is 1.84 m**