



Customer Support: (03) 9786 0055

Camelot Playset(MPS035)

Thank you for purchasing the Camelot Playset(MPS035)
Warning: Only for domestic outdoor use.

This Play Set satisfies all the requirements of the Australian Standard AS/NZS ISO 8124 and has been certified by an independent laboratory. To guarantee safety, please give special attention to the assembly, safety, and care instructions detailed in this document.

ASSEMBLY ADVICE

- Follow the instructions exactly.
 - This product must be assembled by adults.
 - Once assembly has been completed, keep the instructions in a safe place for future reference. This can be particularly handy for identification of parts if any after sales service is required.
 - Before commencing assembly, check that none of the parts are missing. If you find that you are missing a part please contact our after sales service department.
 - Retain extra parts to use as spares in the future if necessary.
 - Pre-Drill timber before fixing with screws to avoid cracks in the timber.
- The dimensions given in the instructions are indicative only, they may vary according to the assembly method.

SAFETY ADVICE

- As per legal requirements, a swing seat with flexible means of suspension must have a 40cm minimal distance between the ground and the swing. This distance is important for safety. The distance between the swing seat and the ground and the trapeze and the ground can be adjusted using the plastic height adjustment hooks.
- Warning: This product is only to be used by children between the ages of 3 and 12.
- Warning: Not to be used by anyone weighing over 50kgs.
- Warning: Choking hazard-small parts can be dangerous for children.
- Warning: This play set must be used under adult supervision.
- This product is for private use at home only. Under no circumstances is it to be used in parks, schools, camp sites, hotels, public leisure areas etc.
- The swing set should be set up on a flat surface and 2 metres away from any structures or obstacles (walls, fences, trees, washing lines, cables etc).
- To avoid eye damage, we advise that the swing and slide should not be setup directly facing the sun.
- The swing set should be installed over impact absorbing surfaces such as sand, wood-bark chips, rubber and foam and must NOT be set up on a hard surface (concrete, tarmac etc). For detailed information about surfaces please refer to the attached consumer information sheet.
- Please see below diagram for maximum fall height of swing.
- The anchorage must be checked regularly.
- Dispose of packaging thoughtfully.
- Do not allow children to play with packaging.

CAUTION ! This Product includes timber and/or fabric, Please Keep away from fire.

FIXING INTO THE GROUND

IMPORTANT ! For safety reasons, your Play Set must be embedded into the ground.

- Place your Play Set in the desired position and mark a square area 350mm x 350 mm around each of the feet. Dig holes 350 mm deep. (The feet must be in the center of the square)

- Fill the holes with concrete. Do not exceed the ground level. Fit the embedding piece into the center of the concrete so that fixtures for screwing the posts into place rise out of the concrete.

- When the concrete is dry, screw the posts to the embedding pieces.
- Anchors shall be placed level with or under ground in order to reduce tripping hazards."

IMPORTANT! Wait until the concrete is set before using and check anchorages regularly.

MAINTENANCE

- All parts should be checked at least once a month.
- Check all nuts and bolts for tightness and tighten when required.
- Check for signs of wear to bolt coverings. If sharp edges are found, replace as required.
- In certain regions (seaside areas), certain coatings could be prone to damage. In this case, it is advised to use a rust prevention treatment.
- Check swing seats, chains, ropes and other means of attachment for evidence of deterioration; replace when required in accordance with the manufacturer's instructions.
- All parts that are under constant friction should be oiled regularly using a suitable lubricant.
- The ground on which the play centre is set up should be cleared regularly. All objects such as stones or anything else that could cause injury in the case of a fall should be removed.
- It is recommended that during the winter period when the equipment is not in use, all apparatus are removed to prevent deterioration due to bad weather.
- Sand rusted areas and tubular members and repaint using a non-lead based paint when required
- Modifications to the original activity toy should only be carried out under instructions from the manufacturer.
- Defective parts should only be replaced in accordance with the manufacturer's instructions.
- As timber is a natural product, It will deteriorate in the weather over time. For maximum longevity of your timber, it is highly recommended to apply an initial 3 coats of a timber protectant such as an exterior grade oil before first use of the play set.

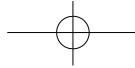
All outdoor wooden products require routine inspection and regular maintenance. After installation, a follow-up inspection should take place after one week and twice a month thereafter for the remaining life of your play products. Maintenance should be performed at any time it is deemed necessary. As a general rule, major maintenance (wood refinishing) should be performed at twelve month intervals from the date of installation. Inspect and perform maintenance based on the following checklist.

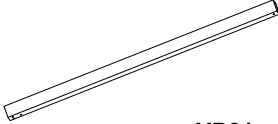
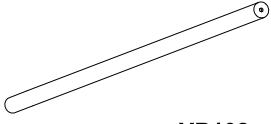
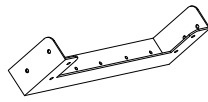
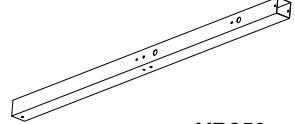
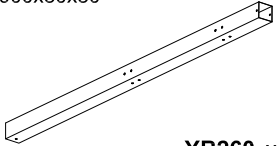
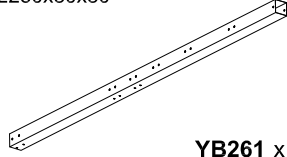
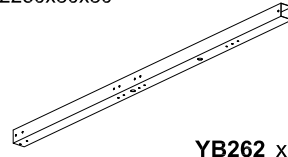
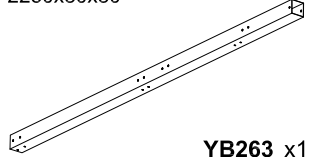
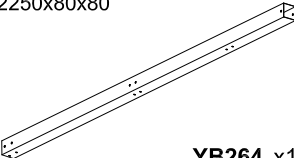

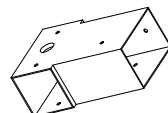



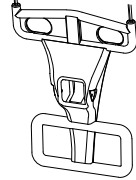
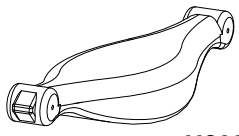
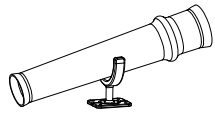
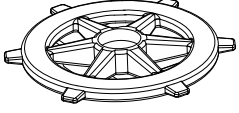

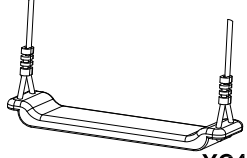
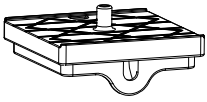
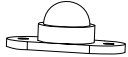

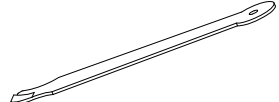
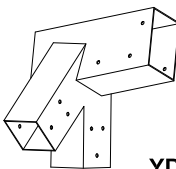
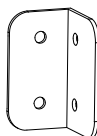
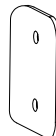
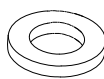
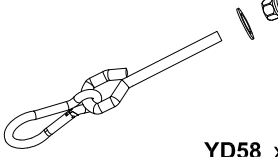

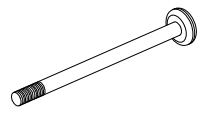
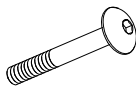
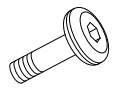
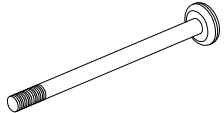
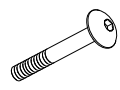
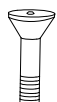
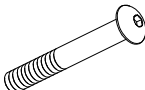
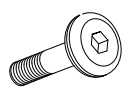
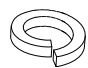

Major wooden parts: Inspect for splintering and structure defects at regular intervals. For very minor splinters or chipping, lightly sanding and refinish with an exterior water repellent stain can assist. If timber has cracked or split significantly, replacement parts may be required, please contact national customer service centre for any replacement requirements

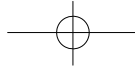
At regular intervals, the application of a penetrating oil based sealer stain to all wooden components is essential. Please consult your local hardware or home improvement store for recommendation of an appropriate product. Ensure the product does not contain hazardous chemicals once dry that can pose a potential health risk to children.

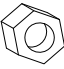

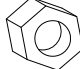
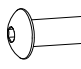
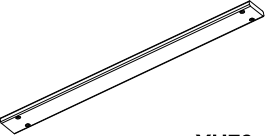
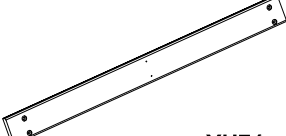



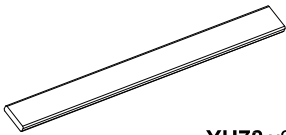
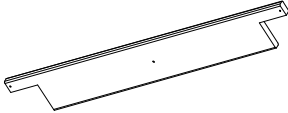
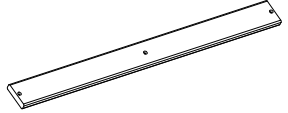

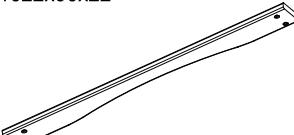
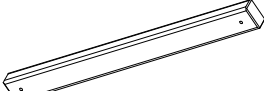

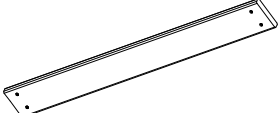


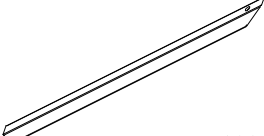

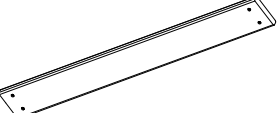
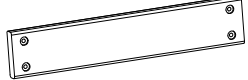
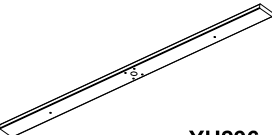
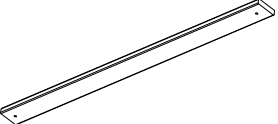
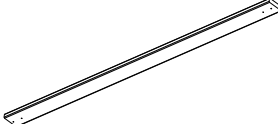
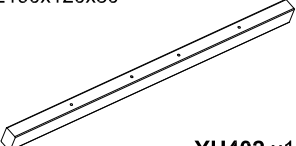



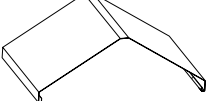


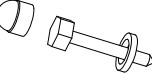


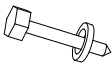
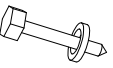
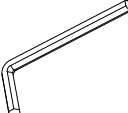
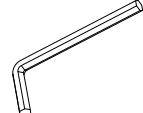

We hope you have a safe and enjoyable time using the Multi Play Set.

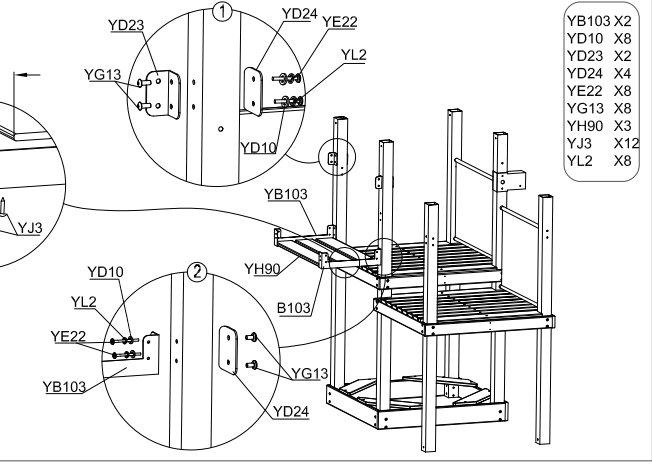
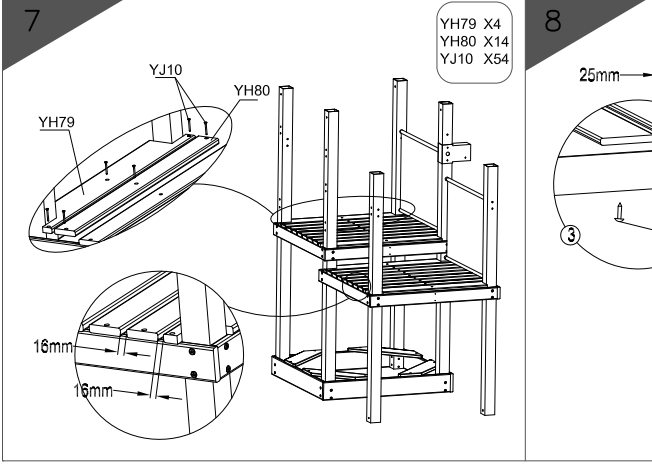
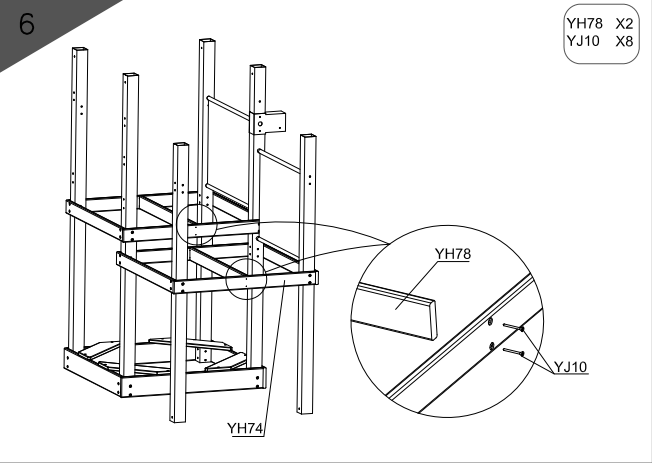
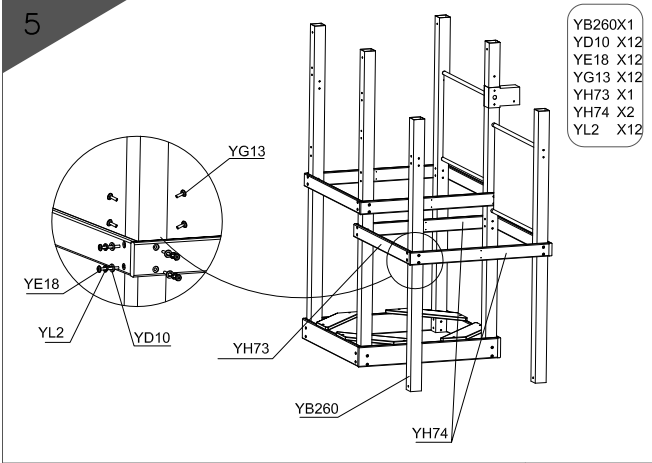
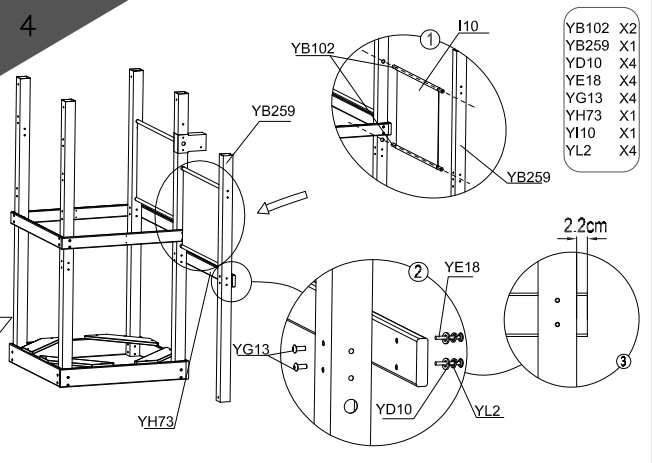
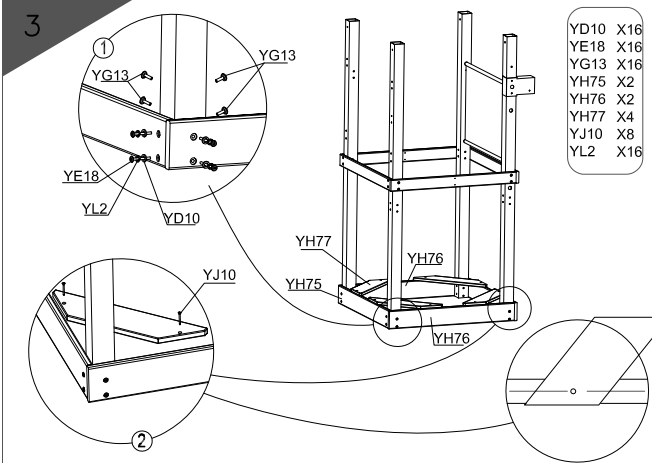
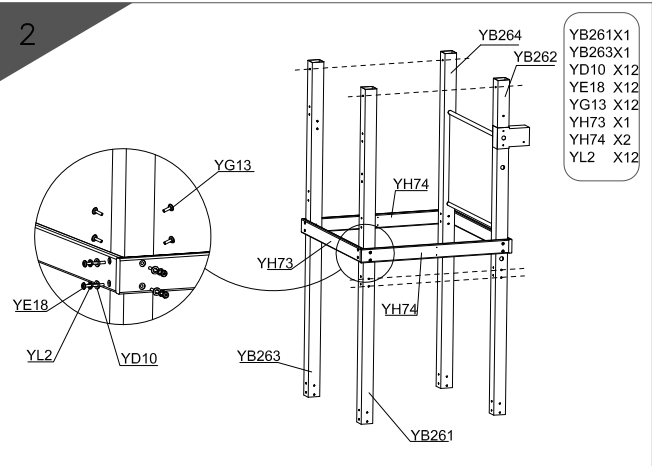
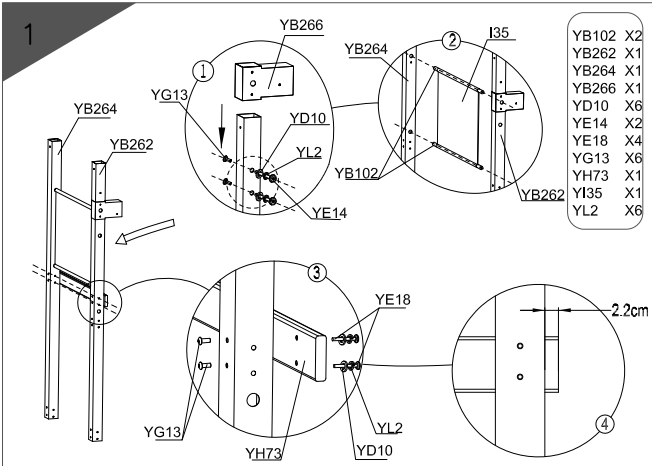




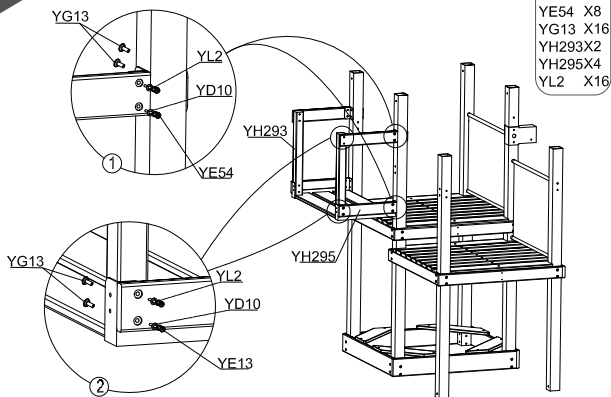
2000x80x80  YB81 x2	 YB102 x4	 YB103 x2	1900x80x80  YB259 x1
1900x80x80  YB260 x1	2250x80x80  YB261 x1	2250x80x80  YB262 x1	2250x80x80  YB263 x1
2250x80x80  YB264 x1	 YB265 x2	 YB266 x1	 YC14 x1
 YC16 x2	 YC23 x2	 YC25 x2	 YC26 x1
 YC31 x1	 YC32 x1	 YC33 x9	 YC40 x1
 YC56 x4	 YC57 x4	Ø6  YD10 x122	 YD16 x8
 YD22 x1	 YD23 x2	 YD24 x4	Ø8  YD35 x18
 YD58 x4	Ø6 x35  YE1 x6	Ø6 x74  YE13 x16	Ø6 x80  YE14 x8
Ø6 x30  YE15 x2	Ø6 x90  YE18 x58	Ø6 x78  YE22 x8	Ø8 x30  YE26 x18
Ø8 x50  YE27 x1	Ø6 x16  YE54 x16	Ø8  YL1 x18	Ø6  YL2 x108



<p>Ø6</p>  <p>YG7 x4</p>	<p>Ø8</p>  <p>YG8 x18</p>	<p>Ø8</p>  <p>YG9 x1</p>	<p>Ø6 x20</p>  <p>YG13 x106</p>
<p>1022x90x22</p>  <p>YH73 x4</p>	<p>1022x90x22</p>  <p>YH74 x4</p>	<p>1018x140x18</p>  <p>YH75 x2</p>	<p>1018x140x18</p>  <p>YH76 x2</p>
<p>600x140x18</p>  <p>YH77 x4</p>	<p>1000x90x22</p>  <p>YH78 x2</p>	<p>1044x140x18</p>  <p>YH79 x4</p>	<p>1044x90x18</p>  <p>YH80 x14</p>
<p>1000x90x22</p>  <p>YH81 x2</p>	<p>1022x90x22</p>  <p>YH82 x1</p>	<p>520x46x28</p>  <p>YH87 x3</p>	<p>950x140x22</p>  <p>YH90 x3</p>
<p>1000x90x22</p>  <p>YH93 x2</p>	<p>660x90x18</p>  <p>YH163 x7</p>	<p>772x90x18</p>  <p>YH164 x17</p>	<p>1032,5x50x45</p>  <p>YH292 x4</p>
<p>782x60x60</p>  <p>YH293 x2</p>	<p>865x90x18</p>  <p>YH294 x3</p>	<p>474x90x22</p>  <p>YH295 x4</p>	<p>1360x80x22</p>  <p>YH296 x2</p>
<p>1005x80x18</p>  <p>YH297 x1</p>	<p>1005x80x18</p>  <p>YH298 x2</p>	<p>2190x120x80</p>  <p>YH402 x1</p>	 <p>I10 x1</p>
 <p>I13 x1</p>	 <p>I35 x1</p>	 <p>I36 x1</p>	<p>Ø4.5 x40</p>  <p>YJ1 x28</p>
<p>Ø5 x25</p>  <p>YJ3 x14</p>	<p>Ø6 x50</p>  <p>YJ5 x10</p>	<p>Ø4.5 x20</p>  <p>YJ8 x10</p>	<p>Ø4.5 x35</p>  <p>YJ10 x166</p>
<p>Ø6 x50</p>  <p>YJ1 x19</p>	<p>Ø6 x30</p>  <p>YJ19 x4</p>	<p>S=4</p>  <p>A4 x2</p>	<p>S=5</p>  <p>A5 x1</p>
			<p>S=4</p>  <p>A6 x2</p>

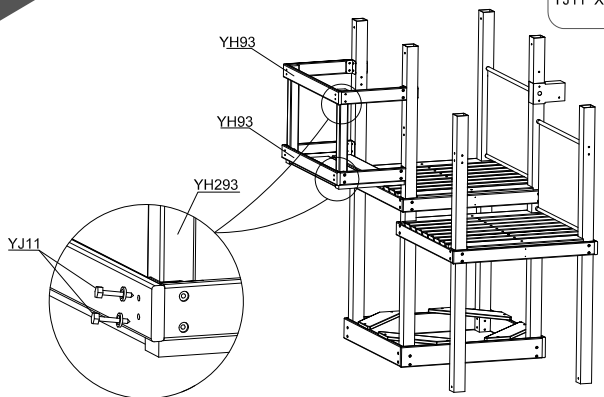


9



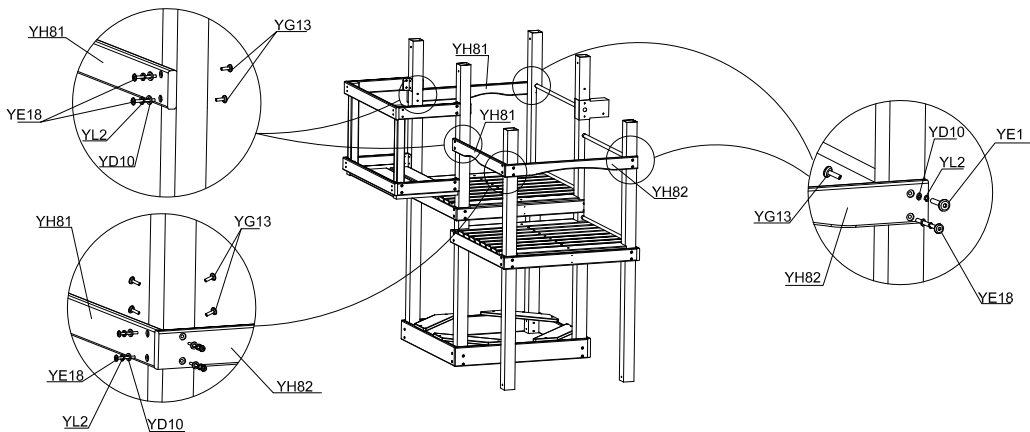
- YD10 X16
- YE13 X8
- YE54 X8
- YG13 X16
- YH293X2
- YH295X4
- YL2 X16

10



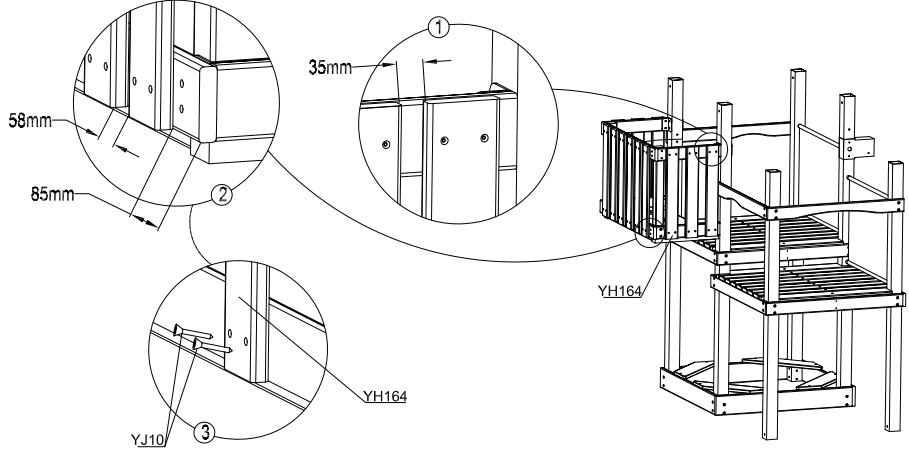
- YH93 X2
- YJ11 X8

11



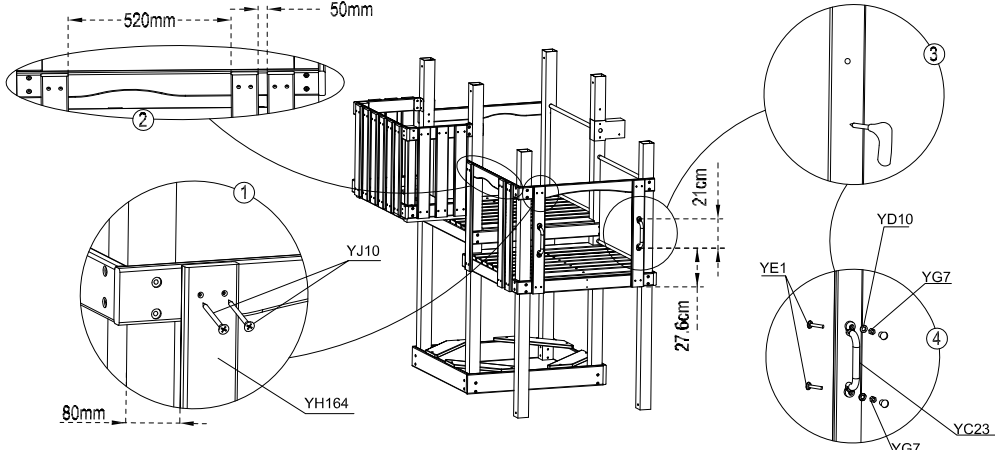
- YD10 X12
- YE1 X2
- YE18 X10
- YG13 X10
- YH81 X2
- YH82 X1
- YL2 X12

12



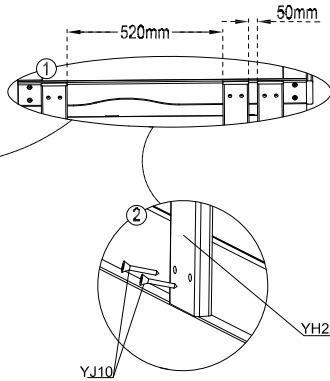
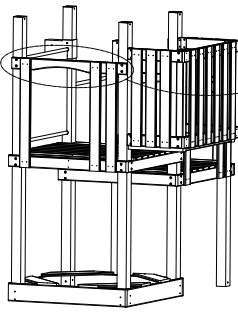
- YH164X12
- YJ10 X48

13



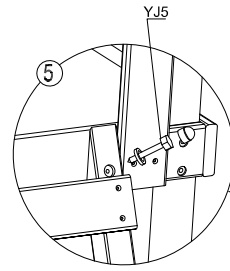
- YC23 X2
- YD10 X4
- YE1 X4
- YG7 X4
- YH164 X5
- YJ10 X20

14

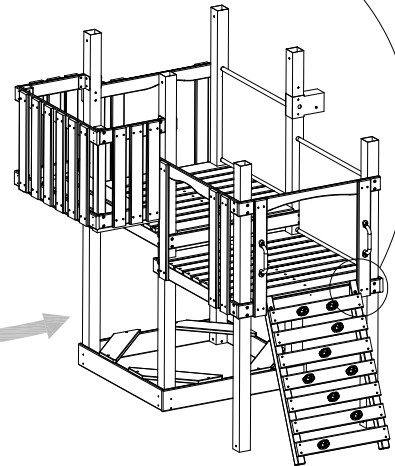


YH294X3
YJ10 X12

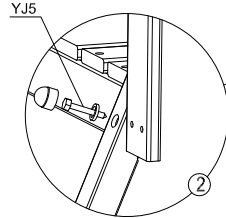
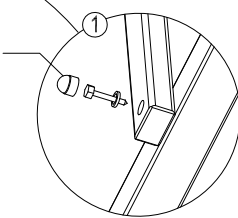
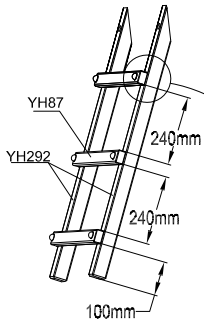
15



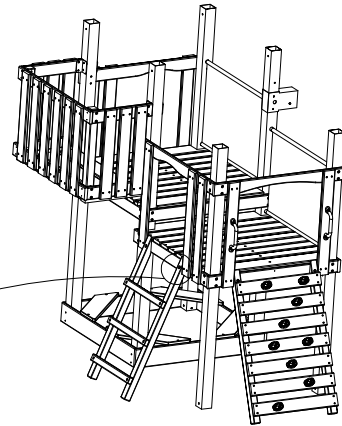
YC33 X9
YD35 X18
YE26 X18
YG8 X18
YH163X7
YH292X2
YJ1 X28
YJ5 X2
YL1 X18



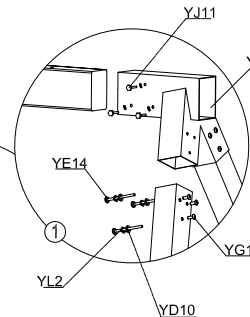
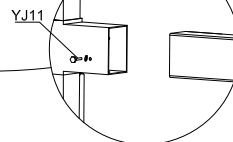
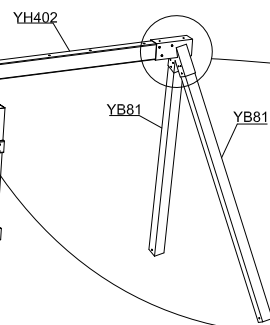
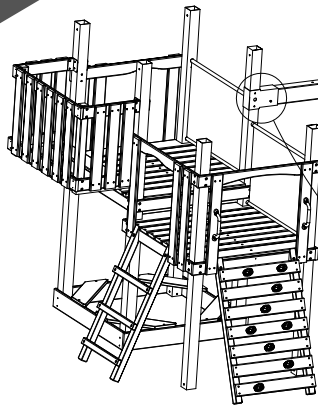
16



YH87 X3
YH292 X2
YJ5 X8

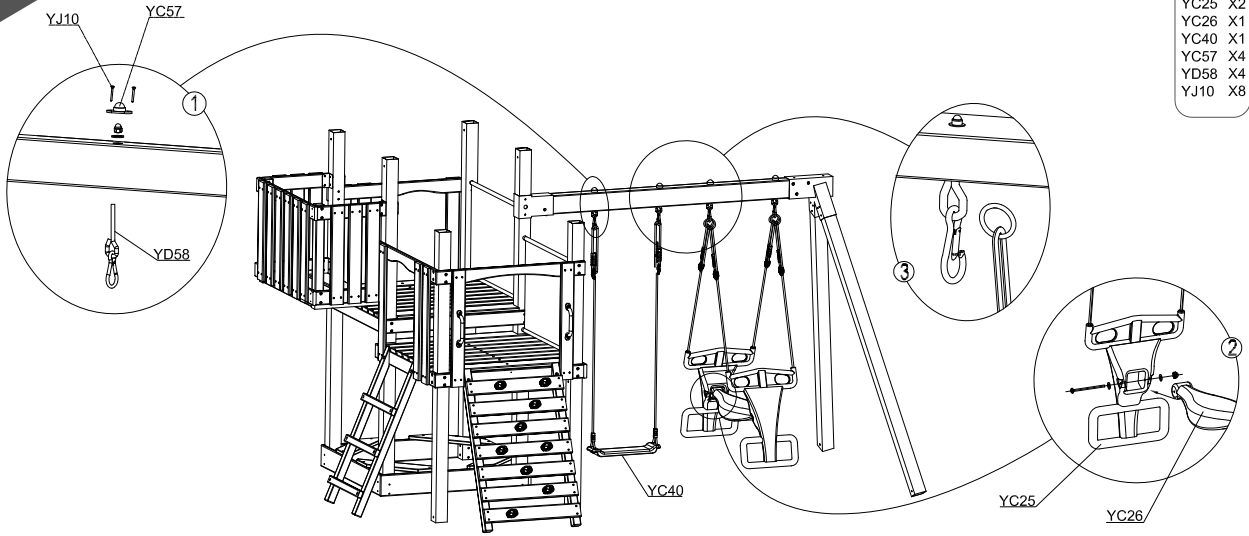


17

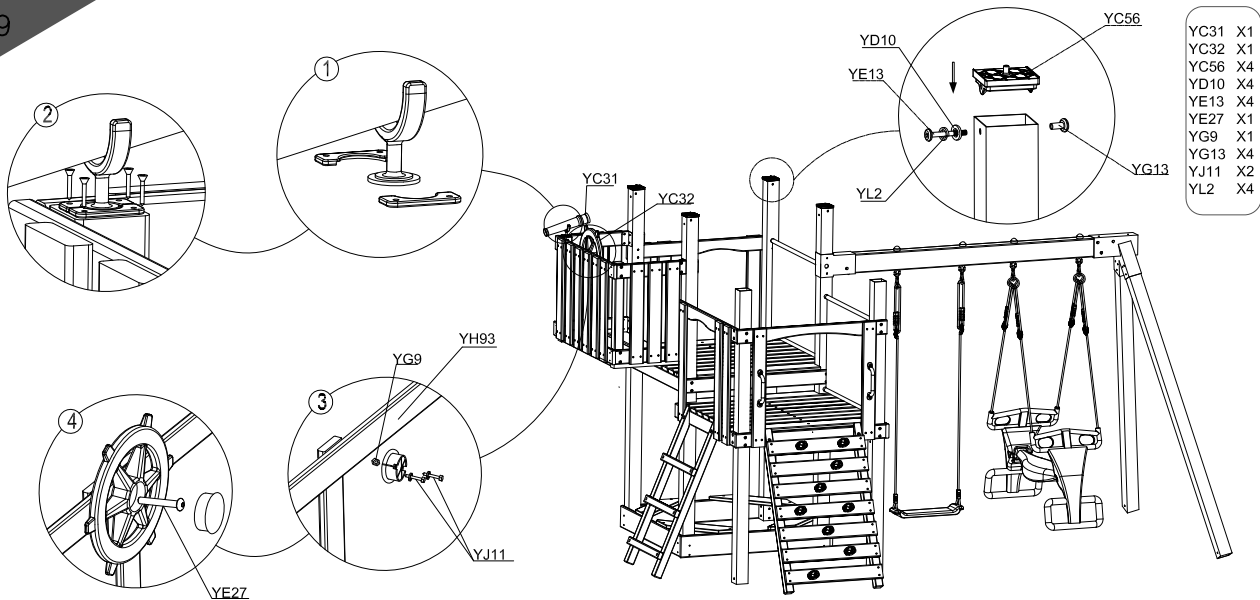


YB81 X2
YD10 X6
YD22 X1
YE14 X6
YG13 X6
YH402 X1
YJ11 X9
YL2 X6

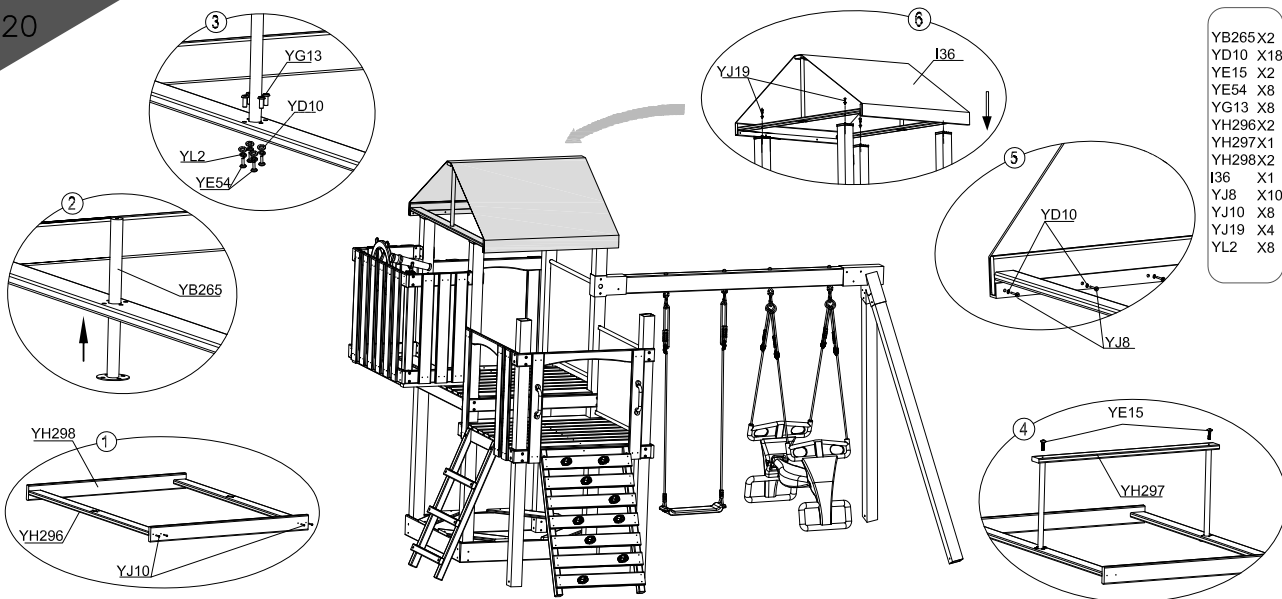
18



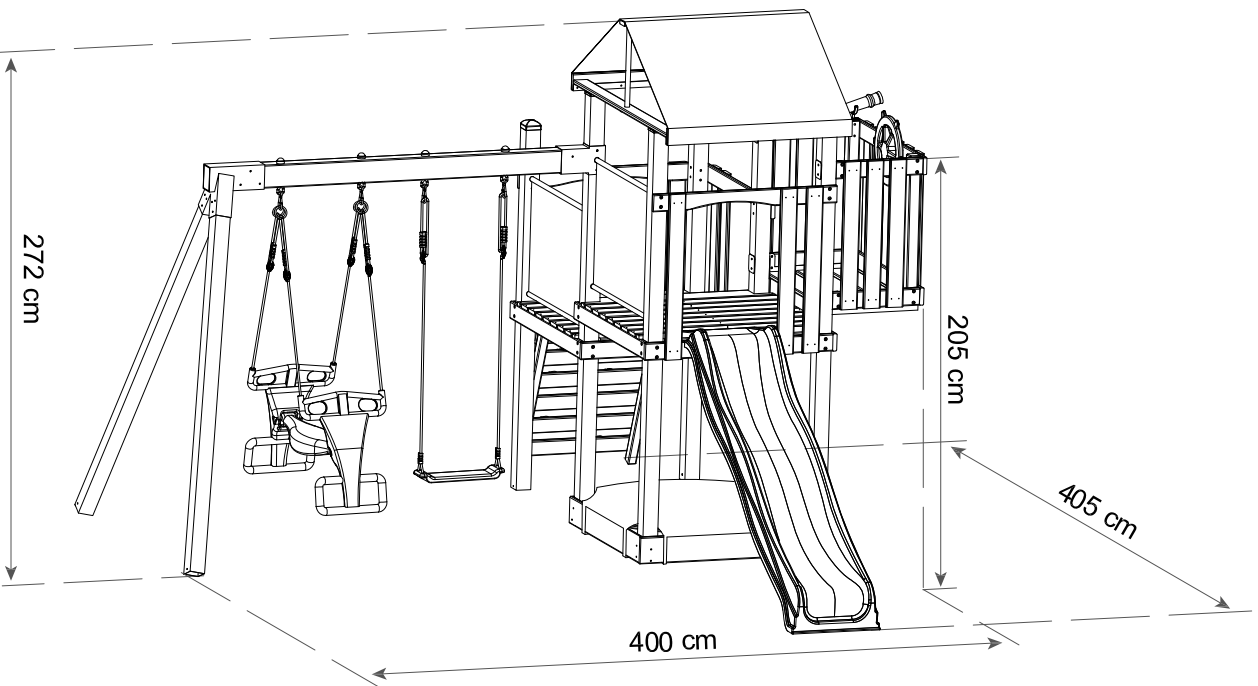
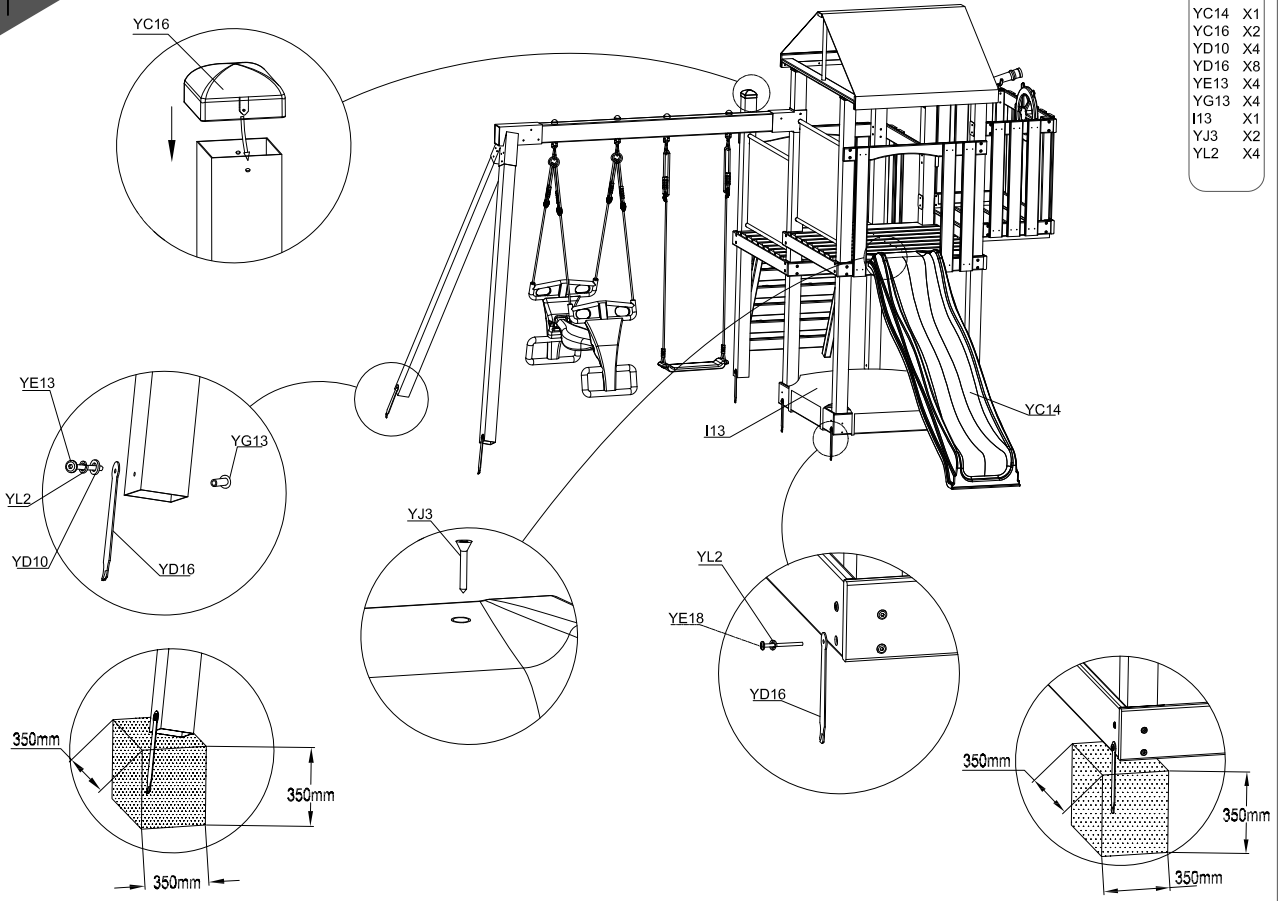
19



20



- YC14 X1
- YC16 X2
- YD10 X4
- YD16 X8
- YE13 X4
- YG13 X4
- I13 X1
- YJ3 X2
- YL2 X4



Warning: Maximum fall heights 205 cm