



Customer Support: (03) 9786 0055

Pandora Multi Play Cubby (MCH119)

Thank you for purchasing the Pandora Multi Play Cubby (MCH119)
Warning: Only for domestic outdoor use.

This play cubby satisfies all the requirements of the Australian Standard AS/NZS ISO 8124 and has been certified by an independent laboratory. To guarantee safety, please give special attention to the assembly, safety, and care instructions detailed in this document.

ASSEMBLY ADVICE

- Follow the instructions exactly.
- This product must be assembled by adults.
- Once assembly has been completed, keep the instructions in a safe place for future reference. This can be particularly handy for identification of parts if any after sales service is required.
- Before commencing assembly, check that none of the parts are missing. If you find that you are missing a part please contact our after sales service department.
- Retain extra parts to use as spares in the future if necessary.
- Pre-Drill timber before fixing with screws to avoid cracks in the timber.

The dimensions given in the instructions are indicative only, they may vary according to the assembly method.

SAFETY ADVICE

- Warning: This product is only to be used by children between the ages of 3 and 7.
- Warning: Not to be used by anyone weighing over 45kgs. simultaneously, not to exceed a combined weight of 270kgs.
- Warning: Choking hazard-small parts can be dangerous for children.
- Warning: This play set must be used under adult supervision.
- This product is for private use at home only. Under no circumstances is it to be used in parks, schools, camp sites, hotels, public leisure areas etc.
- The Play Set should be set up on a flat surface and 2 metres away from any structures or obstacles (walls, fences, trees, washing lines, cables etc).
- To avoid eye damage, we advise that the slide should not be setup directly facing the sun.
- The Play Set should be installed over impact absorbing surfaces such as sand, wood-bark chips, rubber and foam and must NOT be set up on a hard surface (concrete, tarmac etc). For detailed information about surfaces please refer to the attached consumer information sheet.
- We recommend to secure your swing set firmly into the ground using cement
- Please note this is a natural product and as such should be checked for any rough surfaces before use, if required these should be lightly sanded in order to prevent injury.
- The anchorage must be checked regularly.
- Dispose of packaging thoughtfully.
- Do not allow children to play with packaging.
- Please see below diagram for maximum fall height of swing.

CAUTION! This Product includes timber and/or fabric, Please Keep away from fire.

FIXING INTO THE GROUND

IMPORTANT! For safety reasons, your cubby must be embedded into the ground.

- Place your Play Set in the desired position and mark a square area 350mm x 350 mm around each of the feet. Dig holes 350 mm deep. (The feet must be in the center of the square)
- Fill the holes with concrete. Do not exceed the ground level. Fit the embedding piece into the center of the concrete so that fixtures for screwing the posts into place rise out of the concrete.
- When the concrete is dry, screw the posts to the embedding pieces.
- Anchors shall be placed level with or under ground in order to reduce tripping hazards.

IMPORTANT! Wait until the concrete is set before using and check anchorages regularly.

MAINTENANCE

- All parts should be checked at least once a month.
- Check all nuts and bolts for tightness and tighten when required.
- Check for signs of wear to bolt coverings. If sharp edges are found, replace as required.
- In certain regions (seaside areas), certain coatings could be prone to damage. In this case, it is advised to use a rust prevention treatment.
- Check climbing rod, ropes and other means of attachment for evidence of deterioration; replace when required in accordance with the manufacturer's instructions.
- All parts that are under constant friction should be oiled regularly using a suitable lubricant.
- The ground on which the play centre is set up should be cleared regularly. All objects such as stones or anything else that could cause injury in the case of a fall should be removed.
- It is recommended that during the winter period when the equipment is not in use, all apparatus are removed to prevent deterioration due to bad weather.
- Sand rusted areas and tubular members and repaint using a non-lead based paint when required
- Modifications to the original activity toy should only be carried out under instructions from the manufacturer.
- Defective parts should only be replaced in accordance with the manufacturer's instructions
- As timber is a natural product, it will deteriorate in the weather over time. For maximum longevity of your timber, it is highly recommended to apply an initial 3 coats of a timber protectant such as an exterior grade oil before first use of the play set.

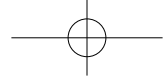
All outdoor wooden products require routine inspection and regular maintenance. After installation, a follow-up inspection should take place after one week and twice a month thereafter for the remaining life of your play products. Maintenance should be performed at any time it is deemed necessary. As a general rule, major maintenance (wood refinishing) should be performed at twelve month intervals from the date of installation. Inspect and perform maintenance based on the following checklist.

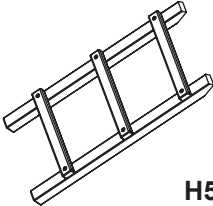
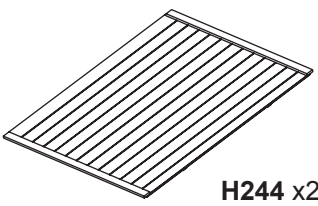
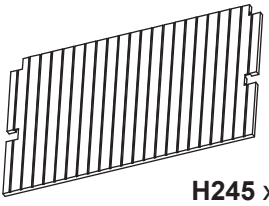
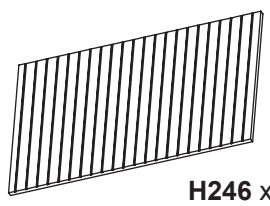
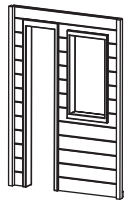
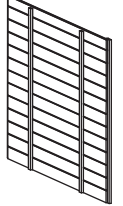
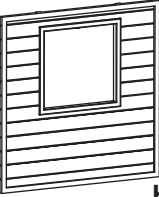

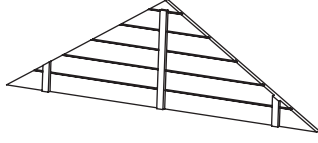
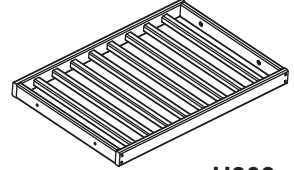
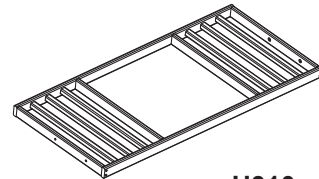
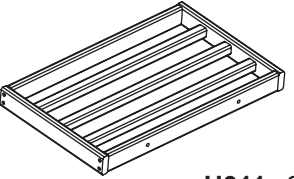


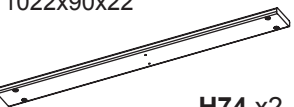

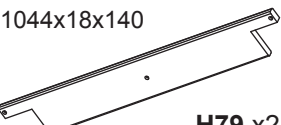
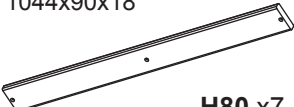
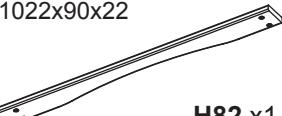
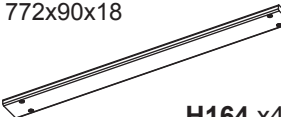
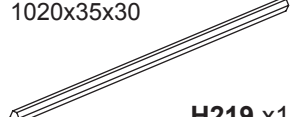


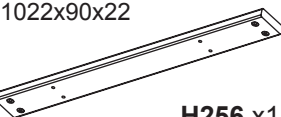
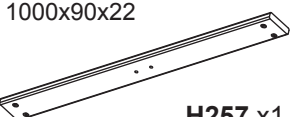
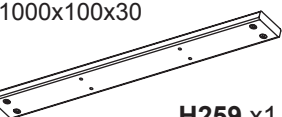
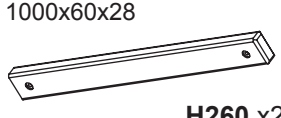
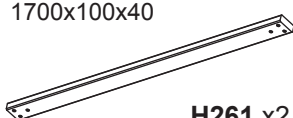
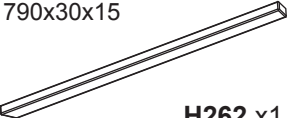
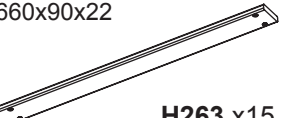
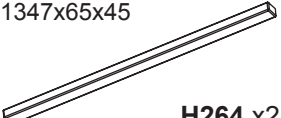
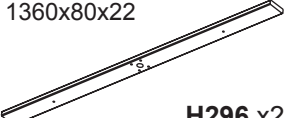
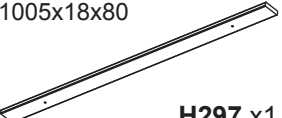
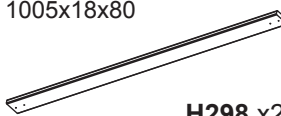
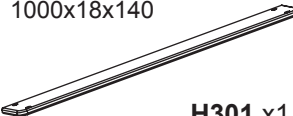
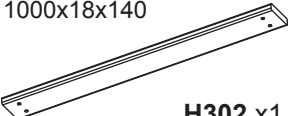
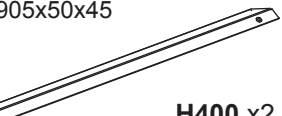
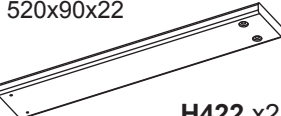
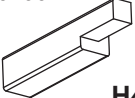
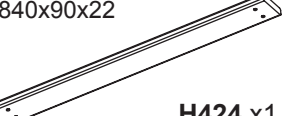
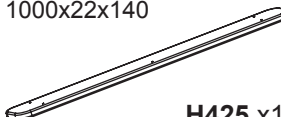
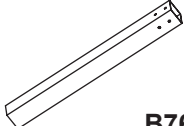
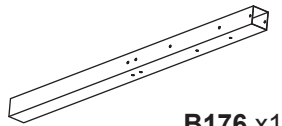
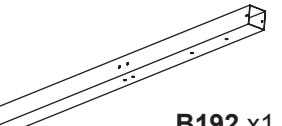





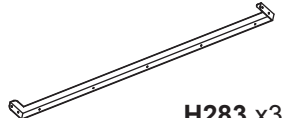

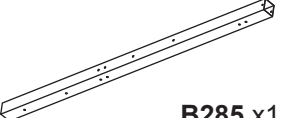
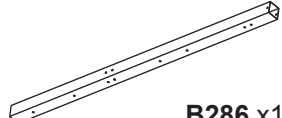
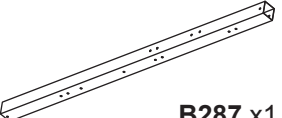

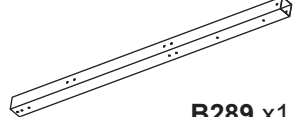
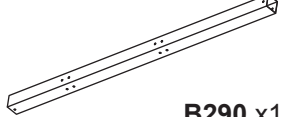
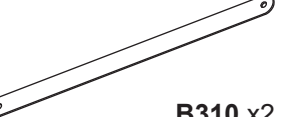
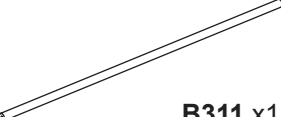
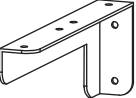
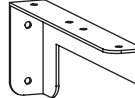
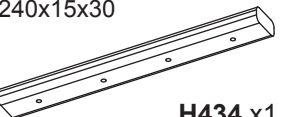
Major wooden parts: Inspect for splintering and structure defects at regular intervals. For very minor splinters or chipping, lightly sanding and refinish with an exterior water repellent stain can assist. If timber has cracked or split significantly, replacement parts may be required, please contact national customer service centre for any replacement requirements

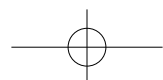
At regular intervals, the application of a penetrating oil based sealer stain to all wooden components is essential. Please consult your local hardware or home improvement store for recommendation of an appropriate product. Ensure the product does not contain hazardous chemicals once dry that can pose a potential health risk to children.

We hope you have a safe and enjoyable time using the Cubby Play Set.

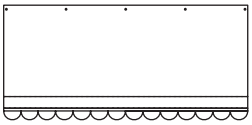
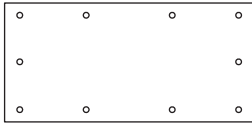
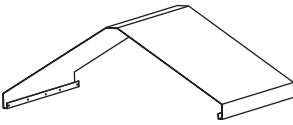
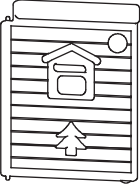
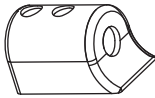

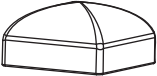
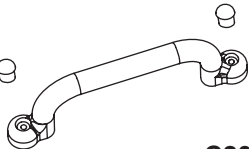
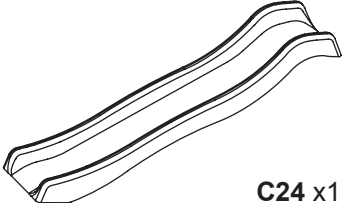
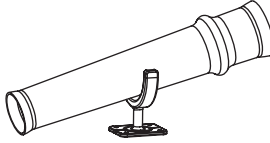
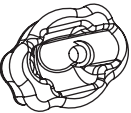
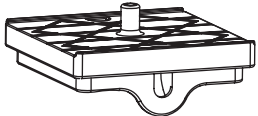
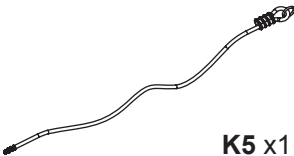


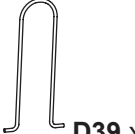
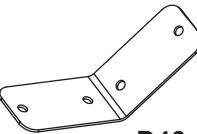


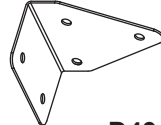
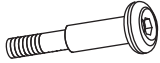
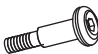

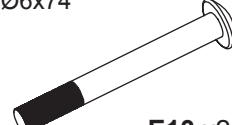
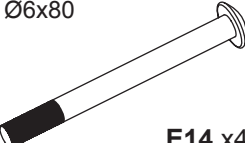

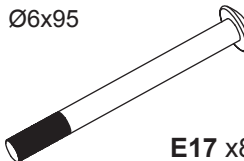
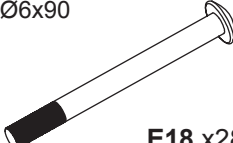

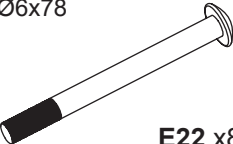
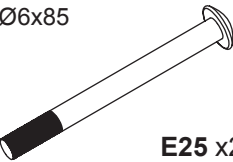


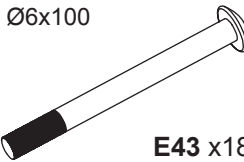
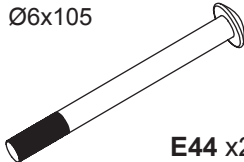



















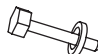
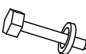
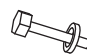
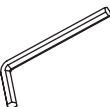
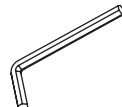
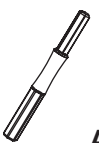


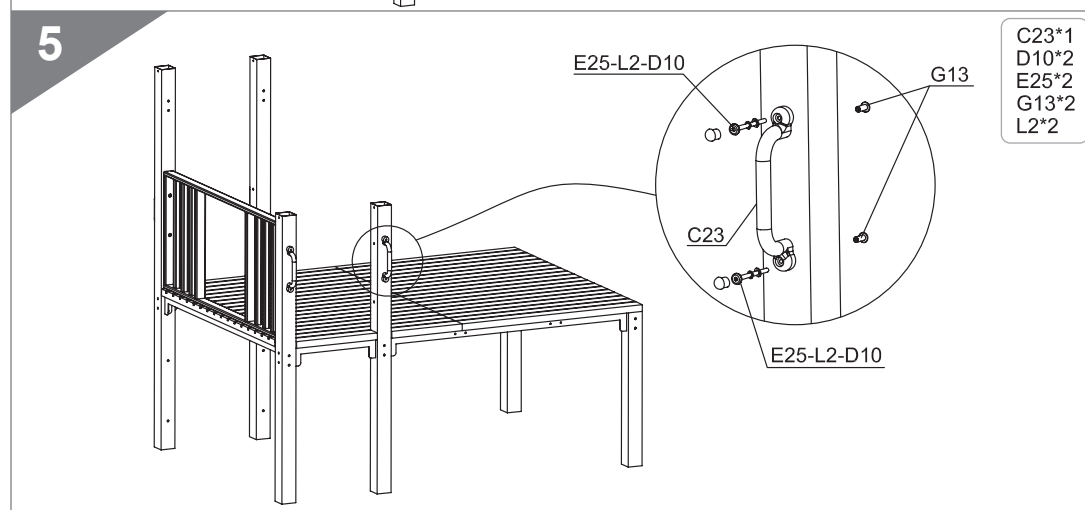
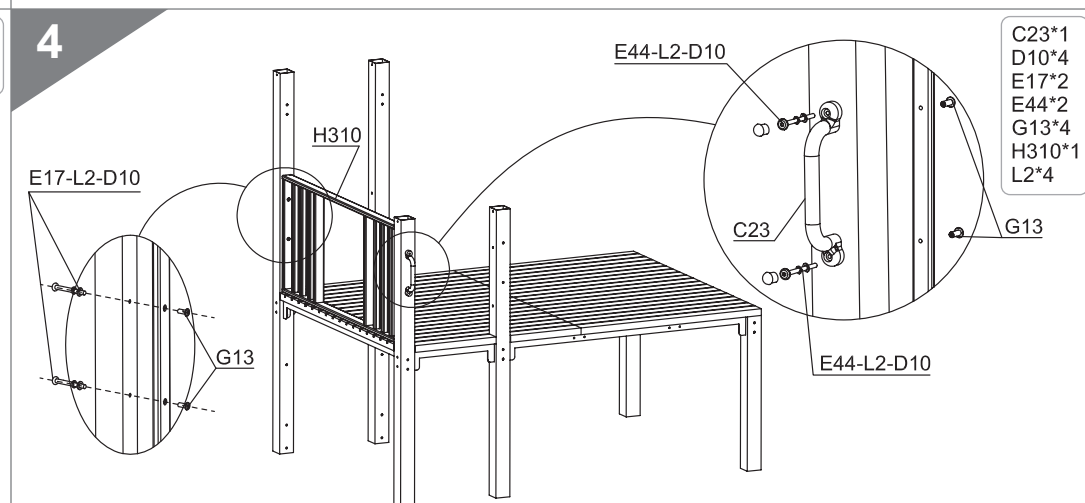
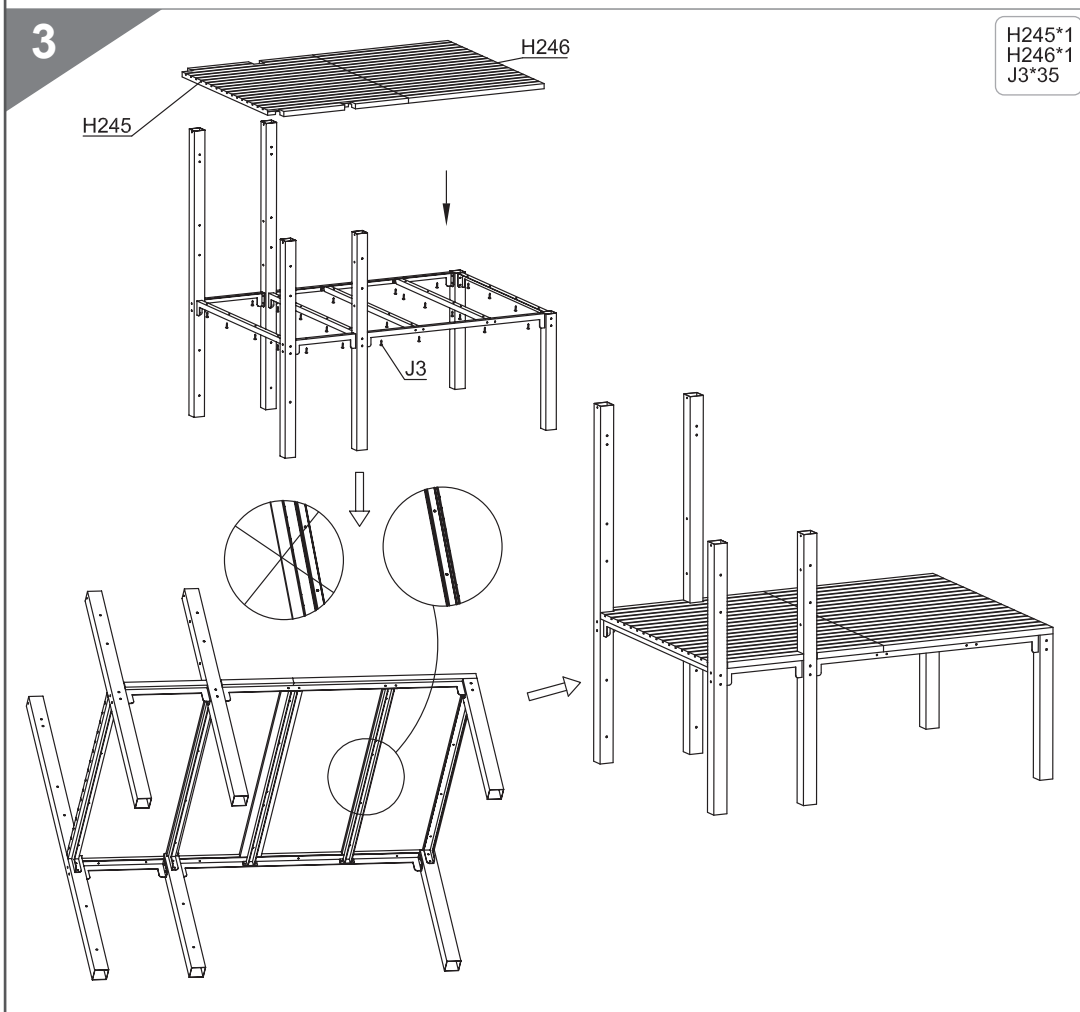
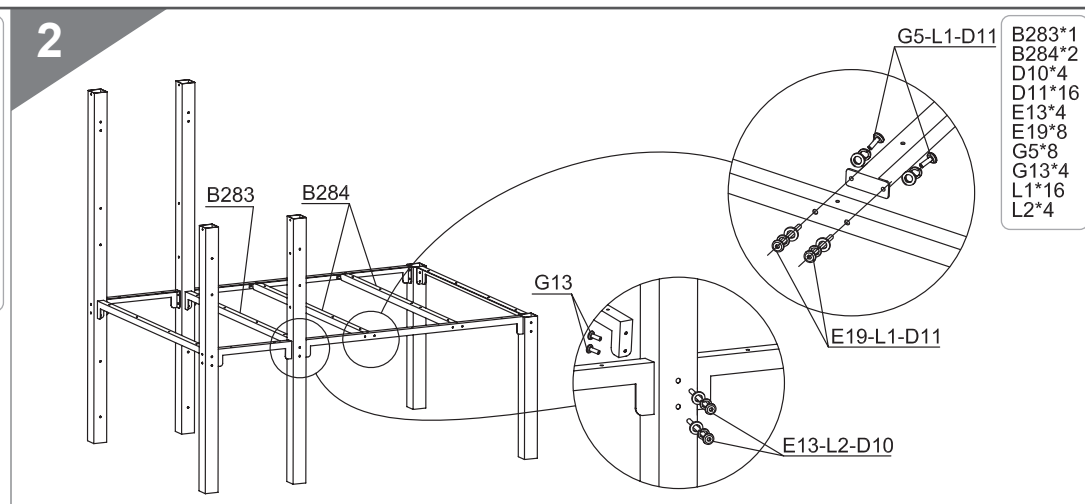
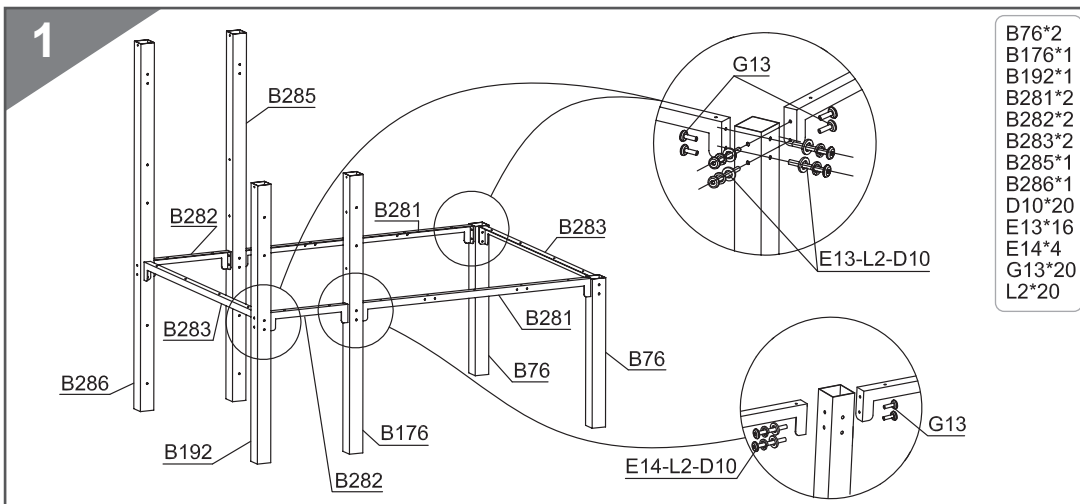


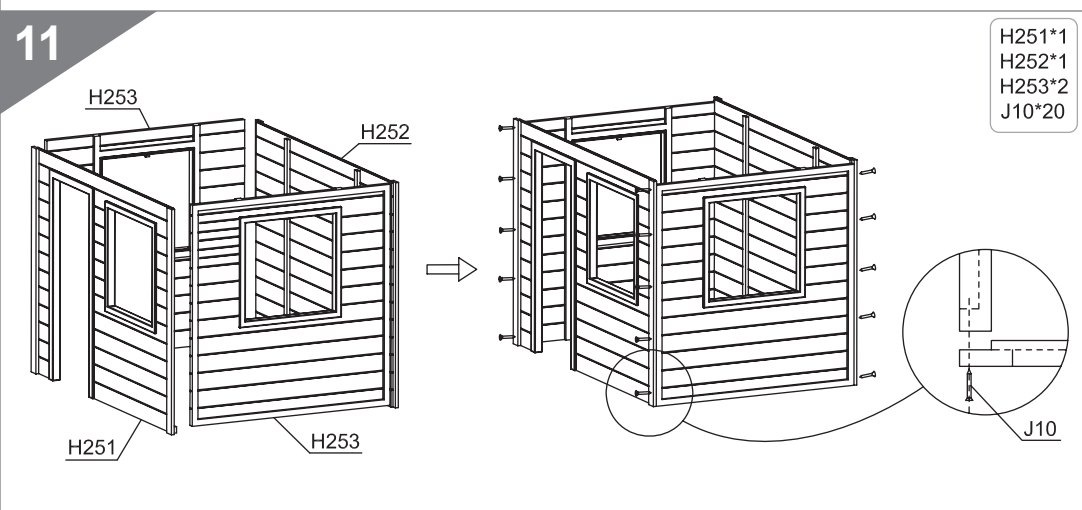
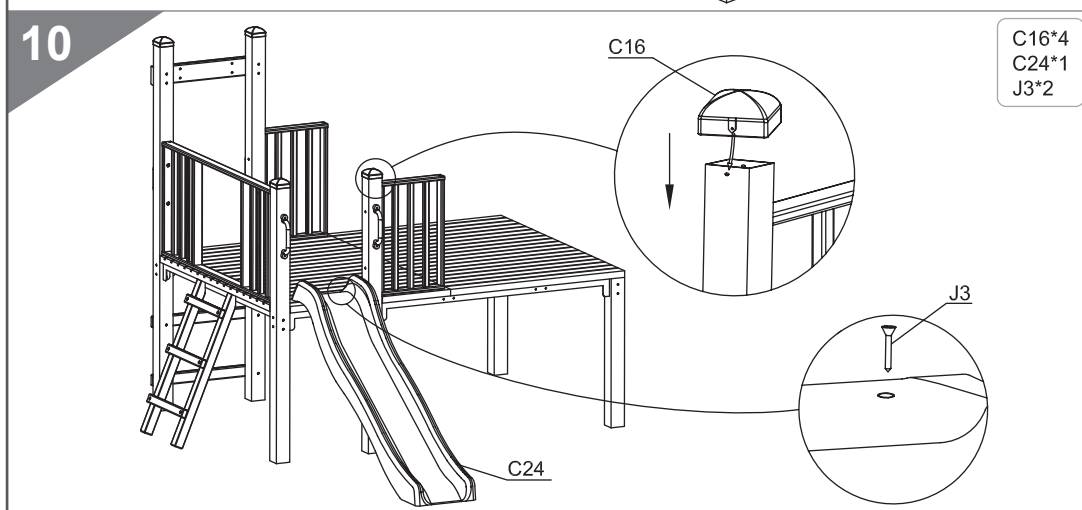
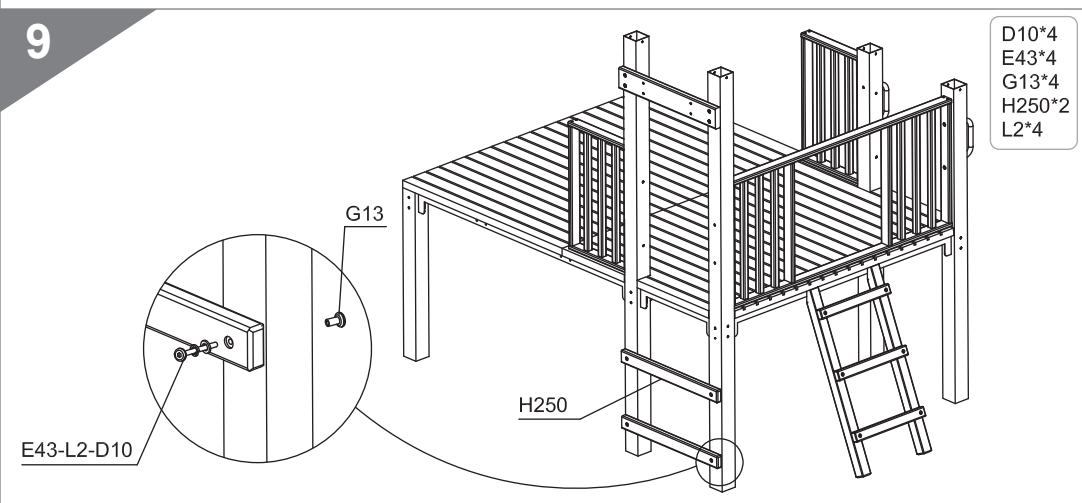
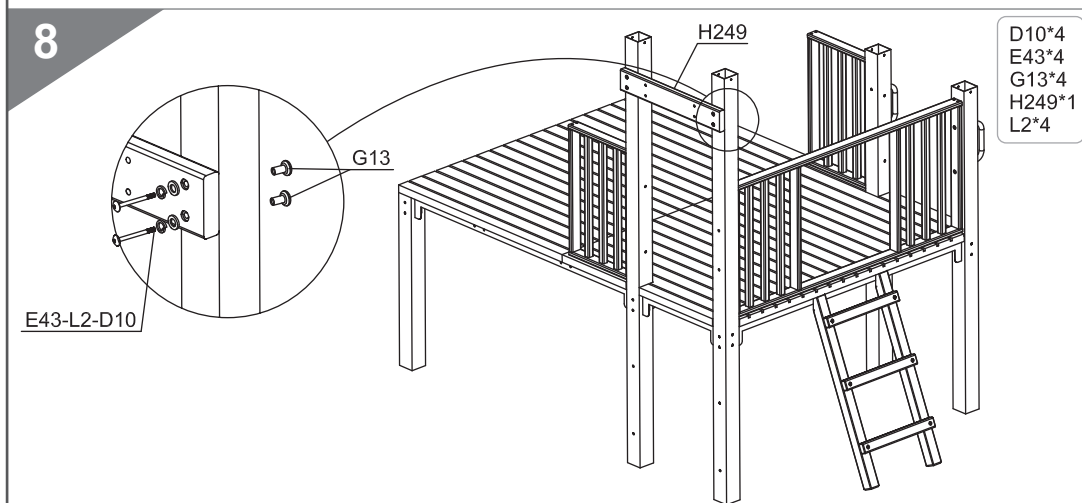
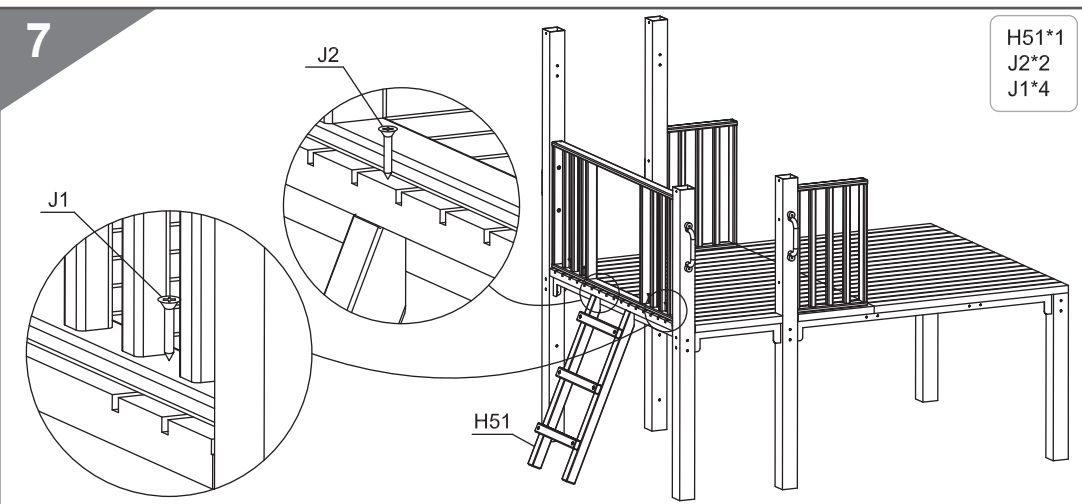
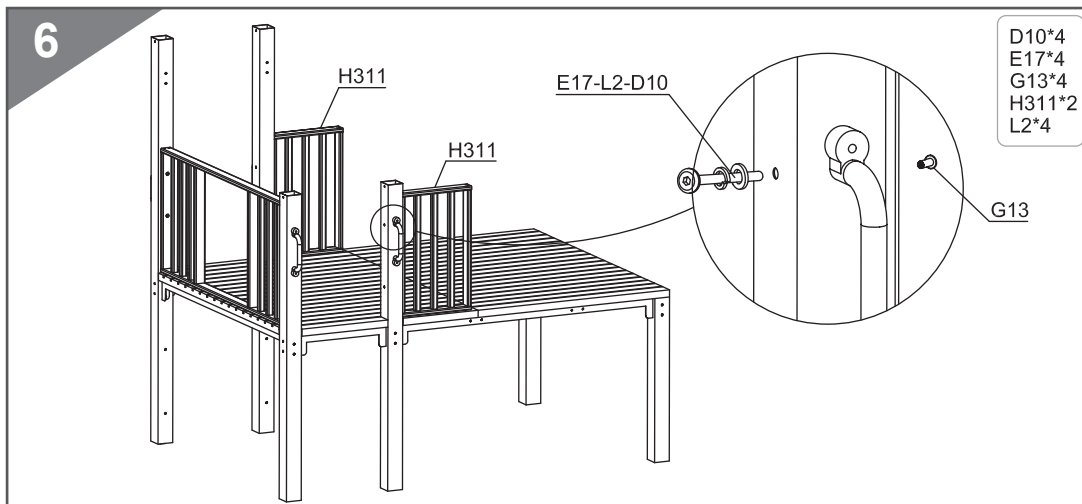
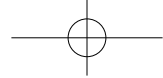
 H51 x1	 H244 x2	 H245 x1	 H246 x1	 H251 x1	 H252 x1	
 H253 x2	 H254 x1	 H255 x1	 H309 x1	 H310 x1	 H311 x2	
1250x50x50  H20 x1	1022x90x22  H73 x1	1022x90x22  H74 x2	1000x90x22  H78 x1	1044x18x140  H79 x2	1044x90x18  H80 x7	1022x90x22  H82 x1
772x90x18  H164 x4	1020x35x30  H219 x1	630x100x30  H249 x1	630x60x28  H250 x2	1022x90x22  H256 x1	1000x90x22  H257 x1	1000x100x30  H259 x1
1000x60x28  H260 x2	1700x100x40  H261 x2	790x30x15  H262 x1	660x90x22  H263 x15	1347x65x45  H264 x2	1360x80x22  H296 x2	1005x18x80  H297 x1
1005x18x80  H298 x2	1000x18x140  H301 x1	1000x18x140  H302 x1	905x50x45  H400 x2	520x90x22  H422 x2	300x60x60  H423 x2	840x90x22  H424 x1
1000x22x140  H425 x1	 B76 x2	 B176 x1	 B192 x1	 B196 x4	 B201 x5	 B265 x2
 B281 x2	 B282 x2	 H283 x3	 H284 x2	 B285 x1	 B286 x1	 B287 x1
 B288 x1	 B289 x1	 B290 x1	 B310 x2	 B311 x1	 B312 x1	 B313 x1
						240x15x30  H434 x1

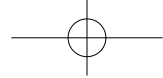




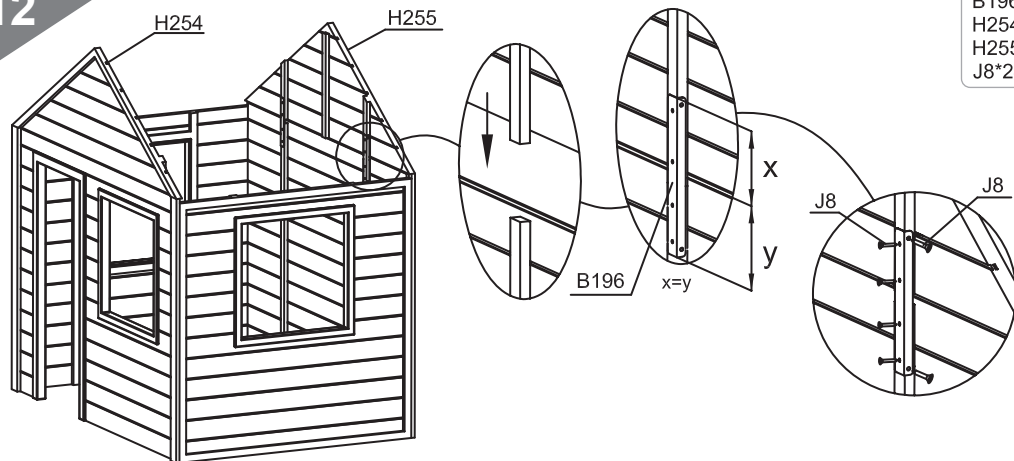
 I26 x1	 I31 x1	 I36 x1	 C6 x1	 C7 x2	 C15 x4		
 C16 x4	 C23 x6	 C24 x1	 C31 x1	 C33 x6	 C56 x4		
 K5 x1	 K6 x2	 D16 x10	 D39 x1	 D46 x2	 D47 x3	 D48 x1	 D49 x4
 N3 x12	 K6 x8	 E1 x8	 E13 x24	 E14 x4	 E15 x2	 E17 x8	 E18 x28
 E19 x10	 E22 x8	 E25 x2	 E26 x12	 E29 x4	 E43 x18	 E44 x2	 E54 x16
 G2 x2	 G5 x28	 G13 x114	 G7 x8	 G8 x12	 G15 x2	 D10 x143	 D11 x44
 D35 x12	 L1 x54	 L2 x112	 J1 x64	 J2 x30	 J3 x41	 J4 x4	 J8 x47
 J10 x102	 J12 x4	 J11 x2	 J18 x20	 J19 x4	 A4 x2	 A5 x1	 A6 x1





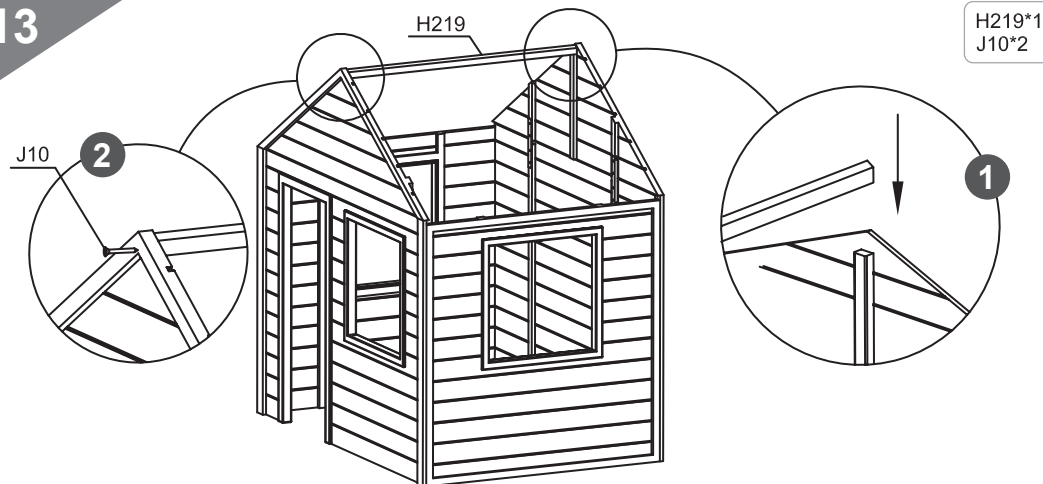


12



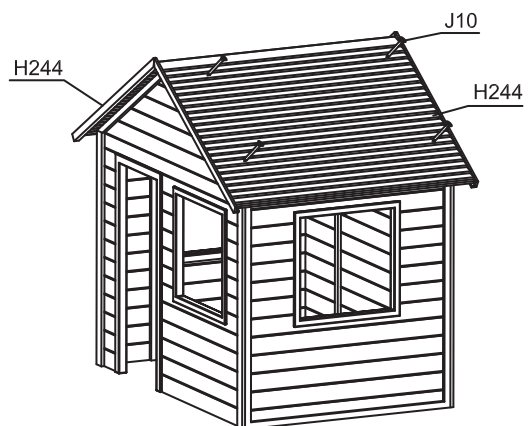
B196*4
H254*1
H255*1
J8*24

13



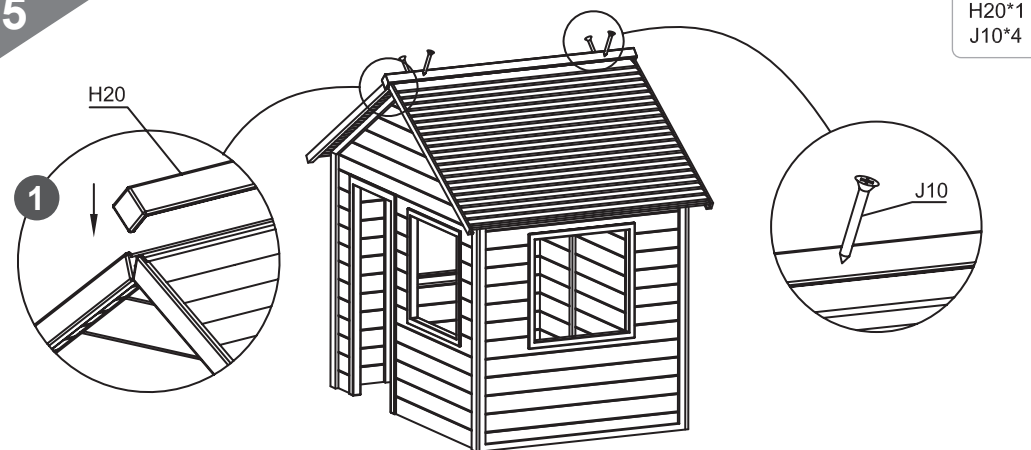
H219*1
J10*2

14



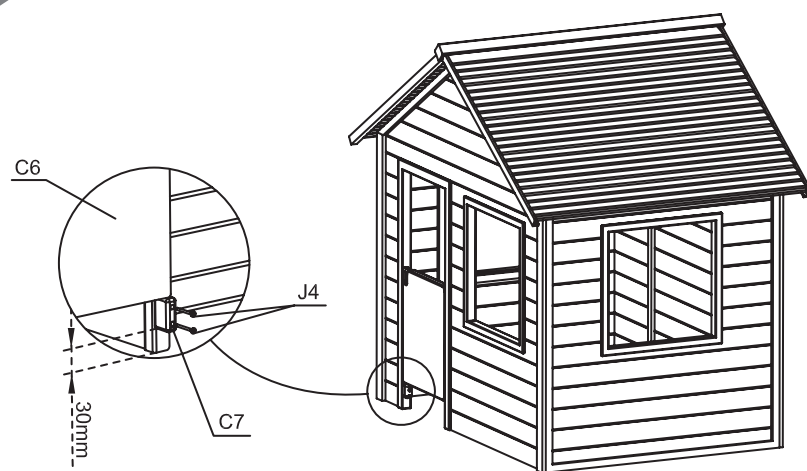
H244*2
J10*8

15



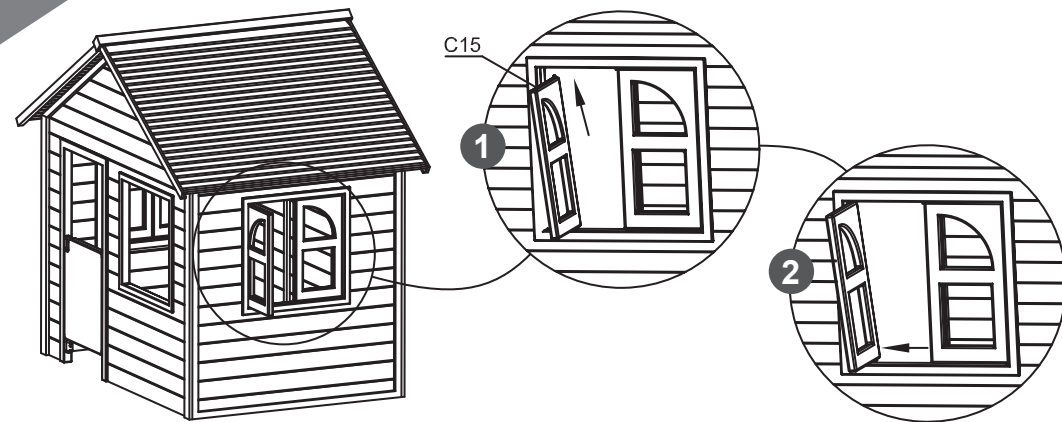
H20*1
J10*4

16

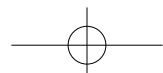


C6*1
C7*2
J4*4

17

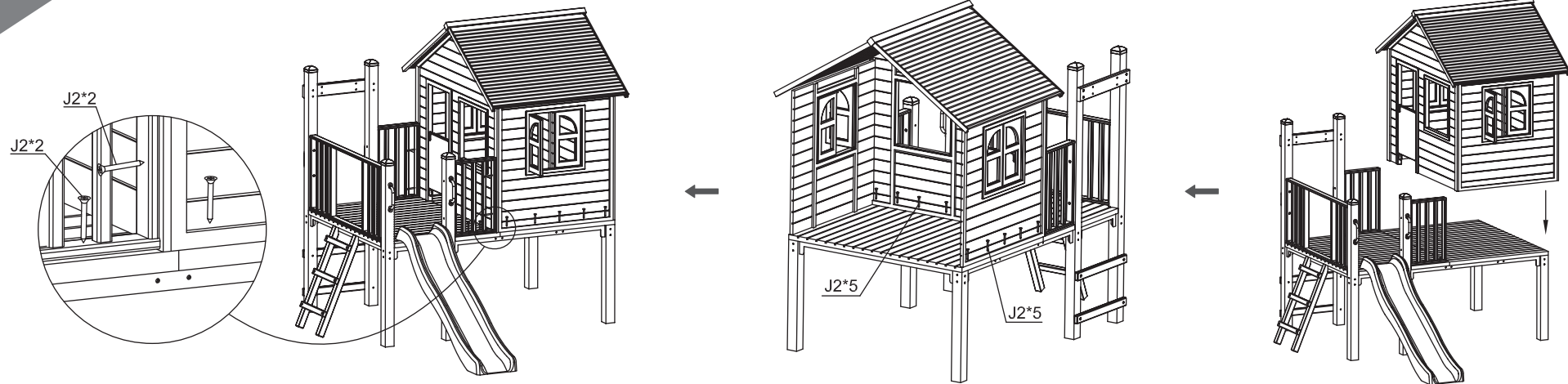


C15*4



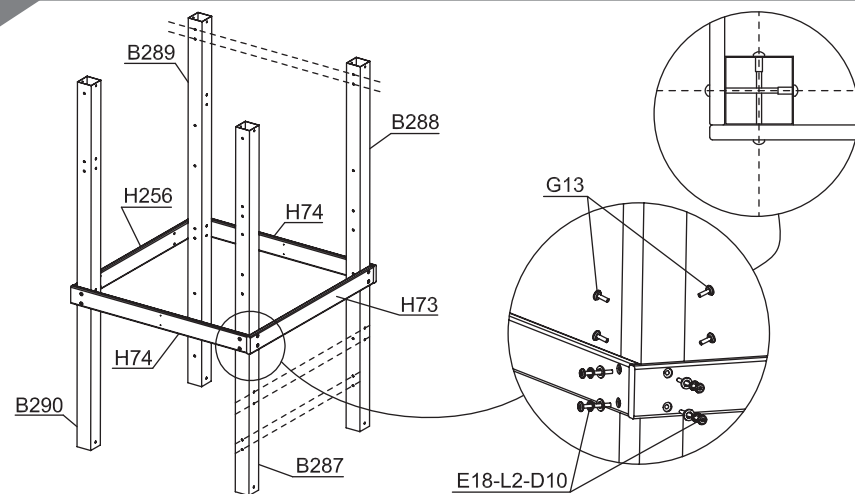


18



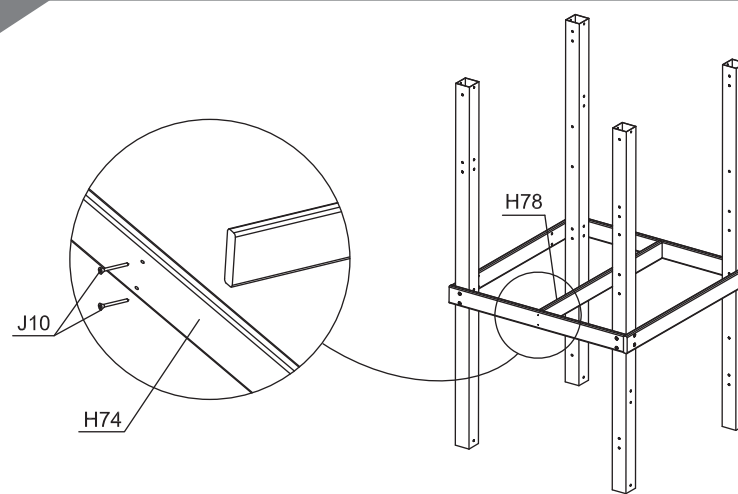
J2*28

19



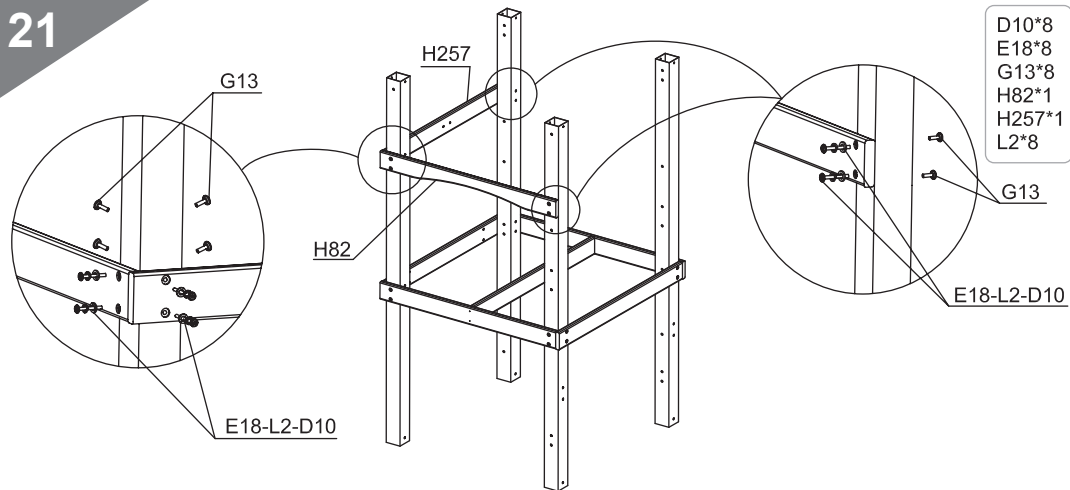
- B287*1
- B288*1
- B289*1
- B290*1
- D10*16
- E18*16
- G13*16
- H73*1
- H74*2
- H256*1
- L2*16

20



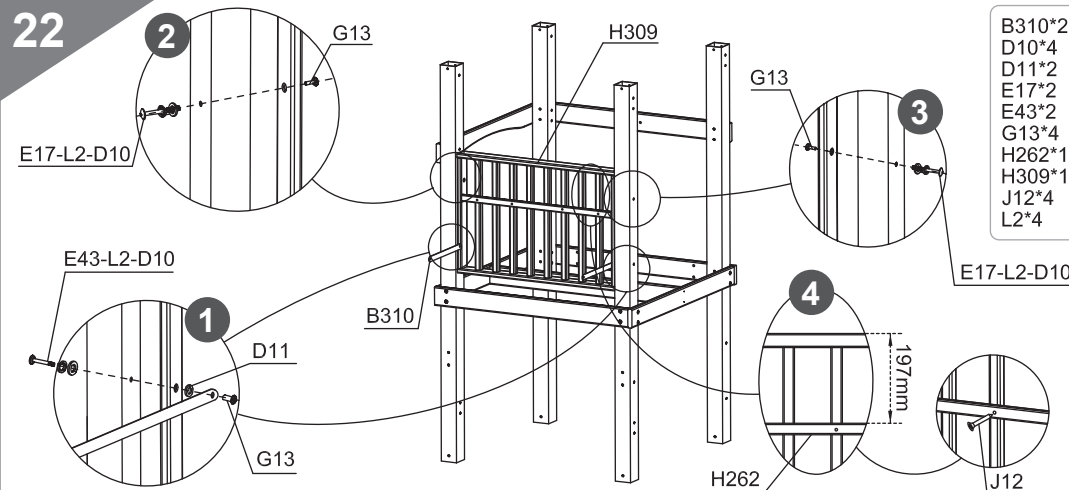
H78*1
J10*4

21

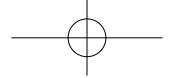


- D10*8
- E18*8
- G13*8
- H82*1
- H257*1
- L2*8

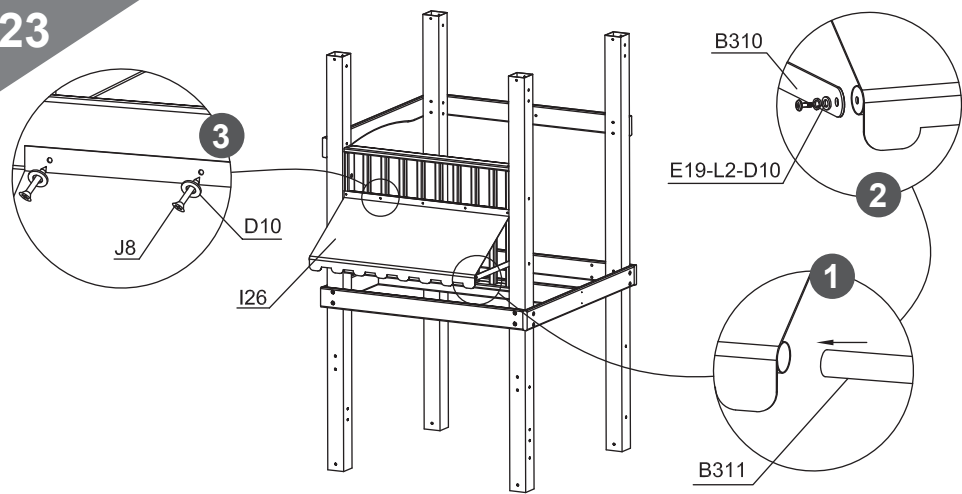
22



- B310*2
- D10*4
- D11*2
- E17*2
- E43*2
- G13*4
- H262*1
- H309*1
- J12*4
- L2*4

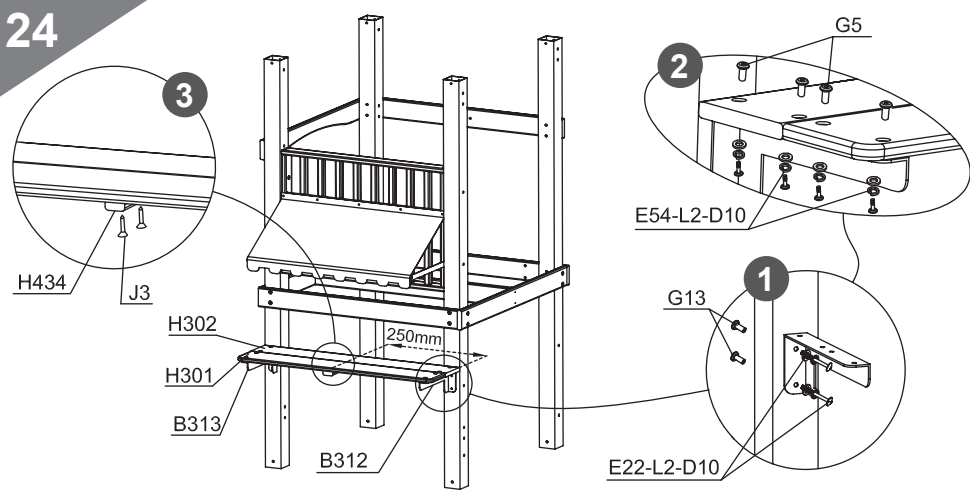


23



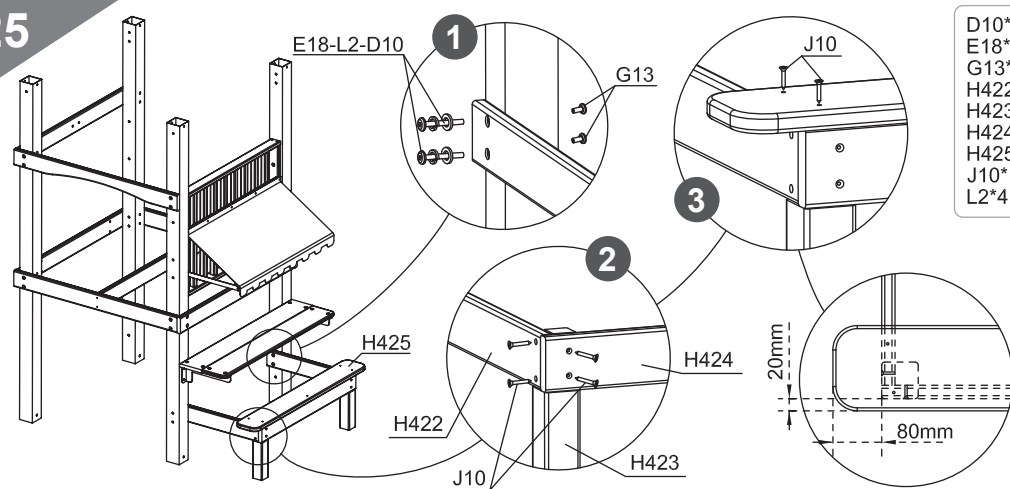
B311*1
D10*7
E19*2
I26*1
J8*5
L2*2

24



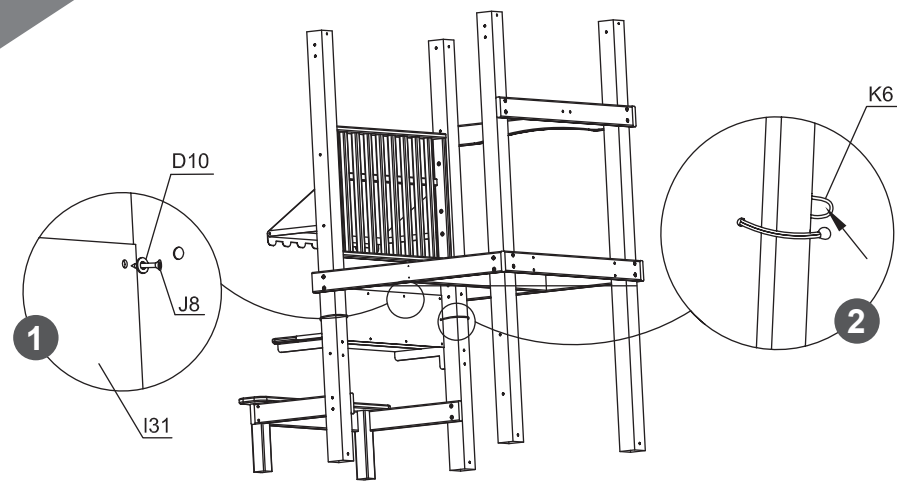
B312*1
B313*1
D10*12
E22*4
E54*8
G5*8
G13*4
H301*1
H302*1
H434*1
J3*4
L2*12

25



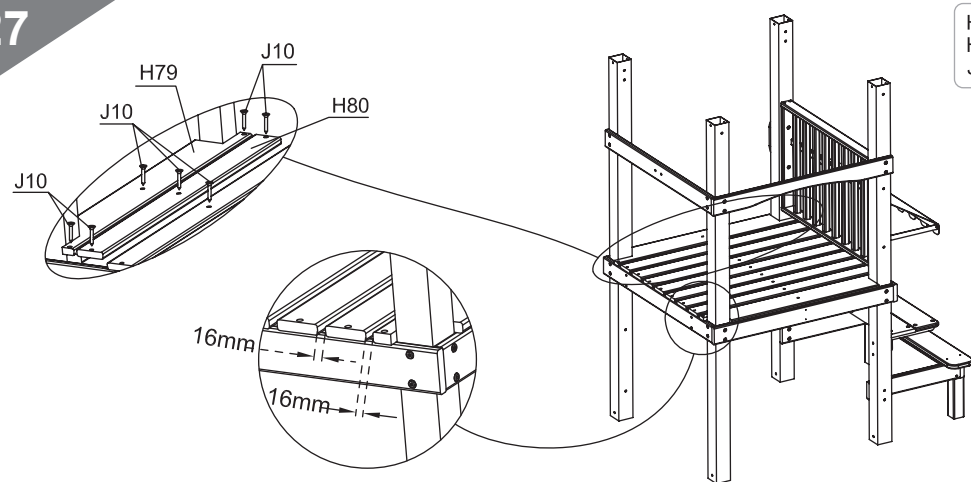
D10*4
E18*4
G13*4
H422*2
H423*2
H424*1
H425*1
J10*13
L2*4

26



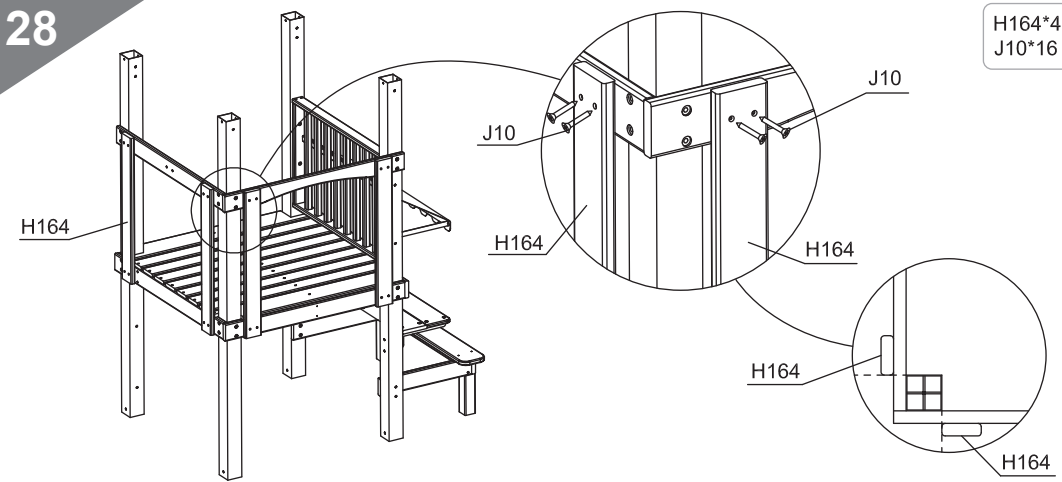
D10*8
I31*1
J8*8
K6*2

27



H79*2
H80*7
J10*27

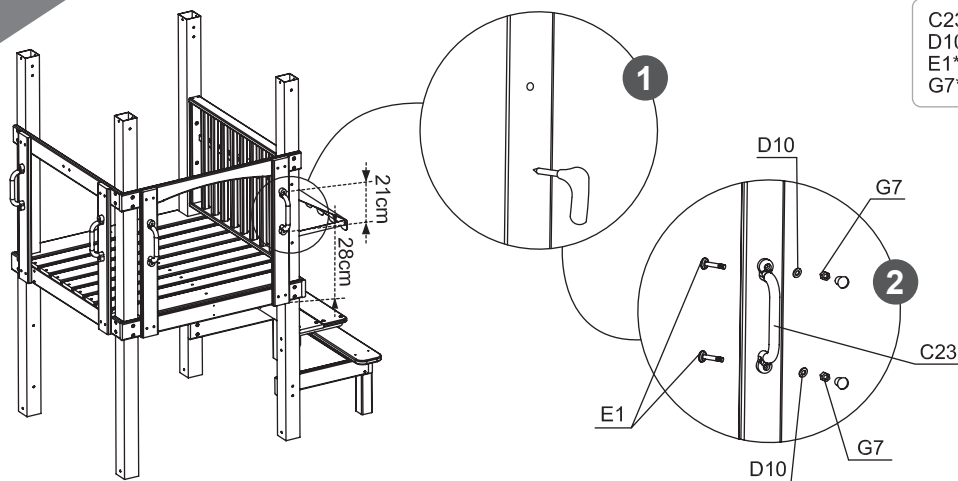
28



H164*4
J10*16

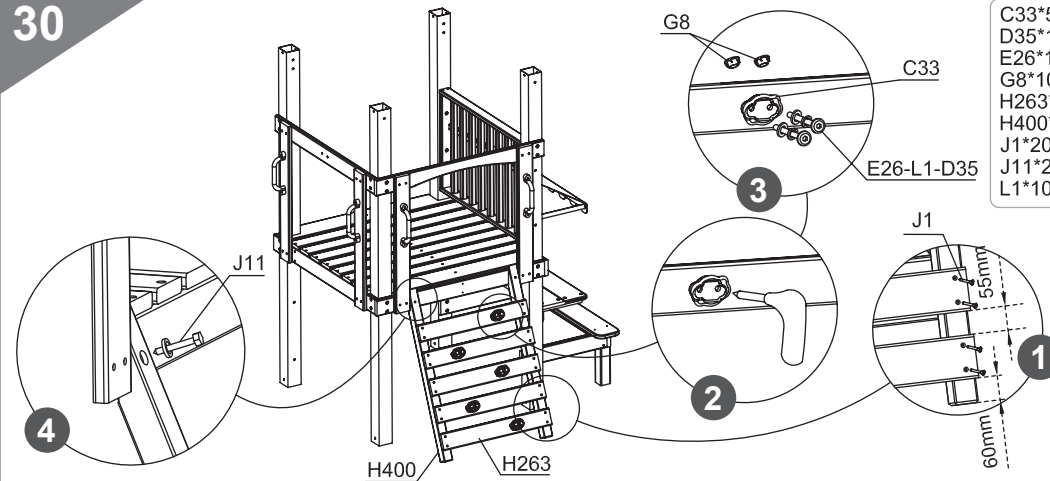


29



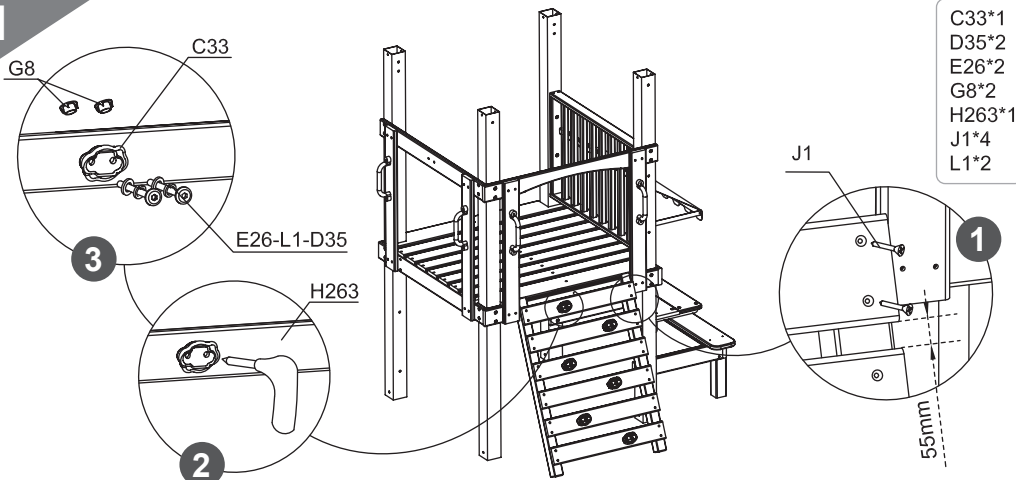
C23*4
D10*8
E1*8
G7*8

30



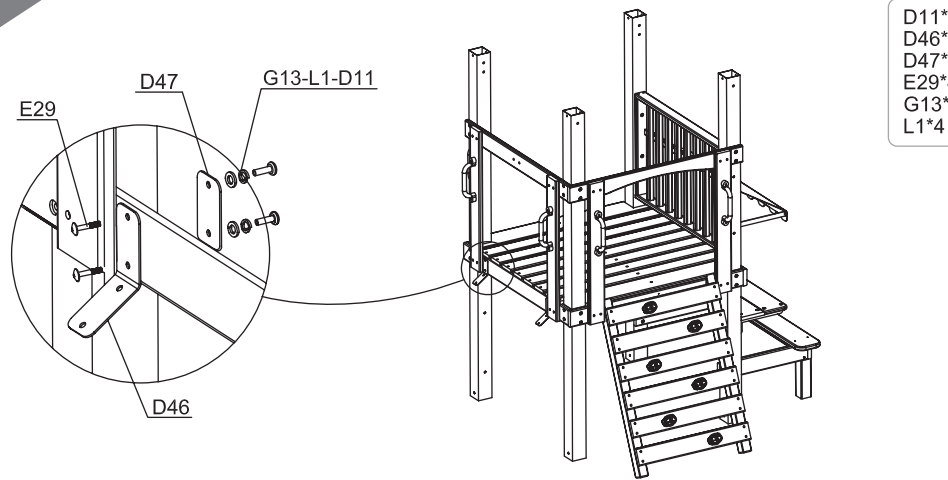
C33*5
D35*10
E26*10
G8*10
H263*5
H400*2
J1*20
J11*2
L1*10

31



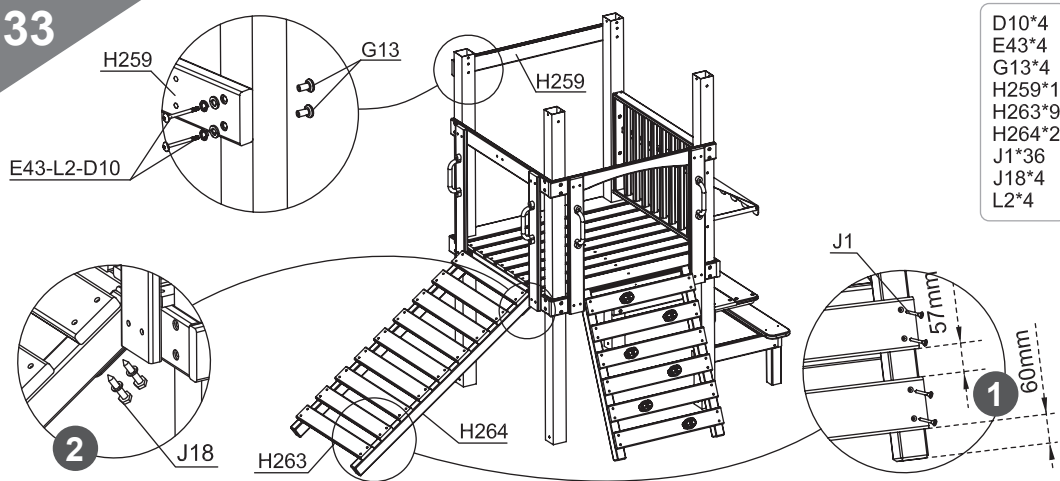
C33*1
D35*2
E26*2
G8*2
H263*1
J1*4
L1*2

32



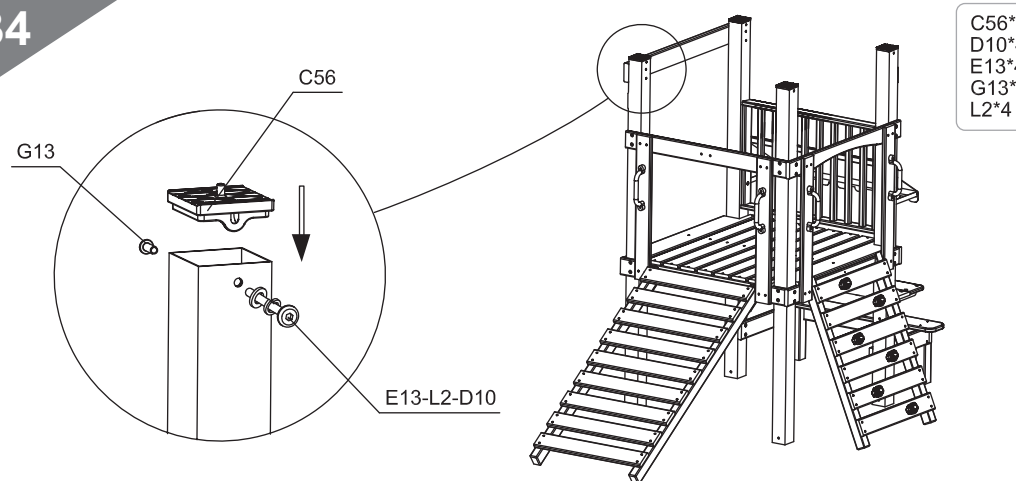
D11*4
D46*2
D47*2
E29*4
G13*4
L1*4

33

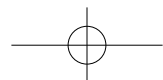


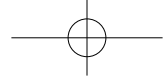
D10*4
E43*4
G13*4
H259*1
H263*9
H264*2
J1*36
J18*4
L2*4

34

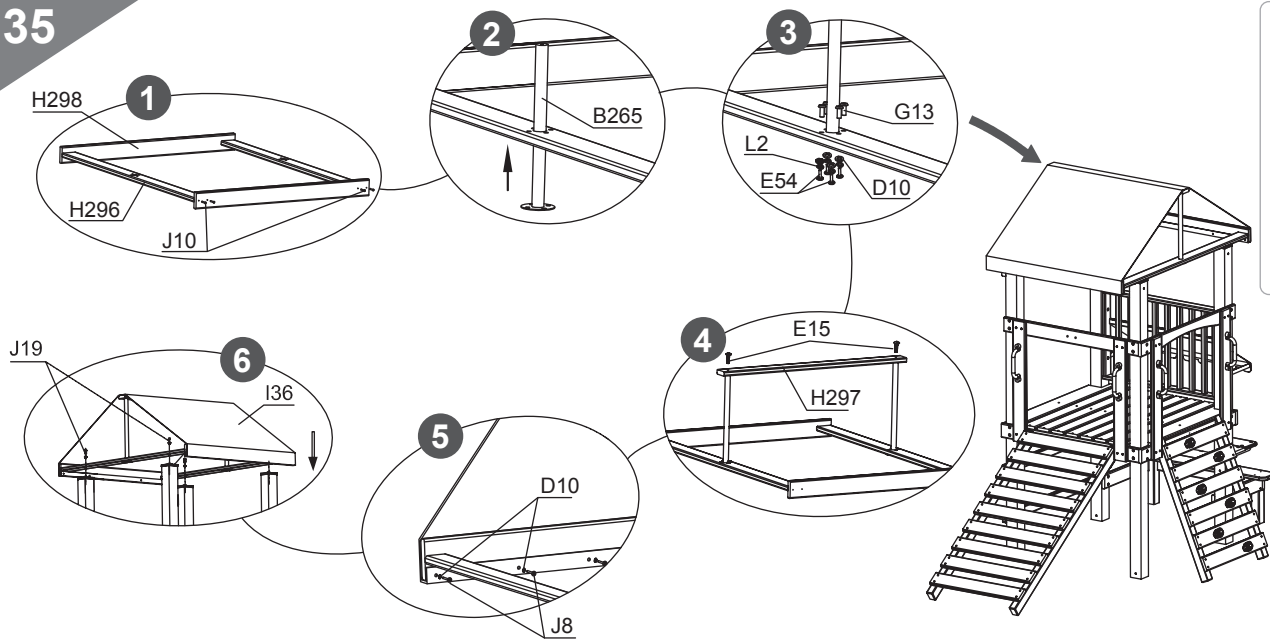


C56*4
D10*4
E13*4
G13*4
L2*4



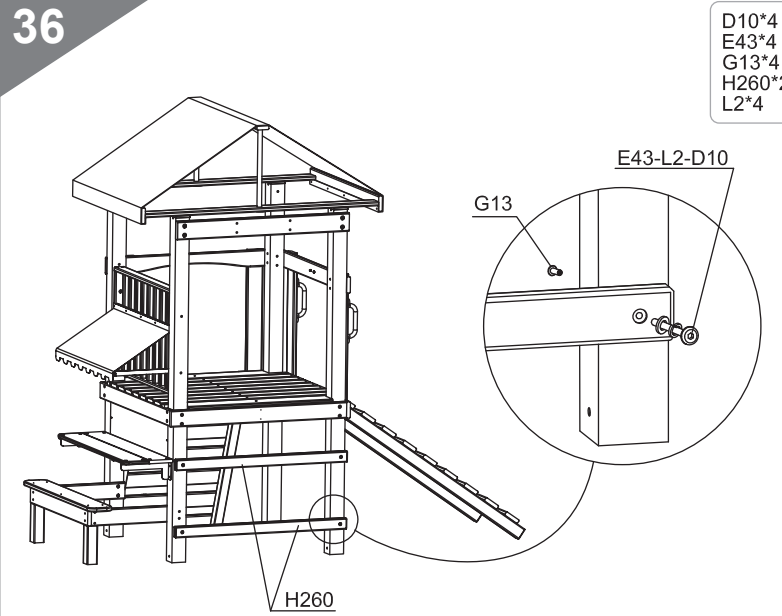


35



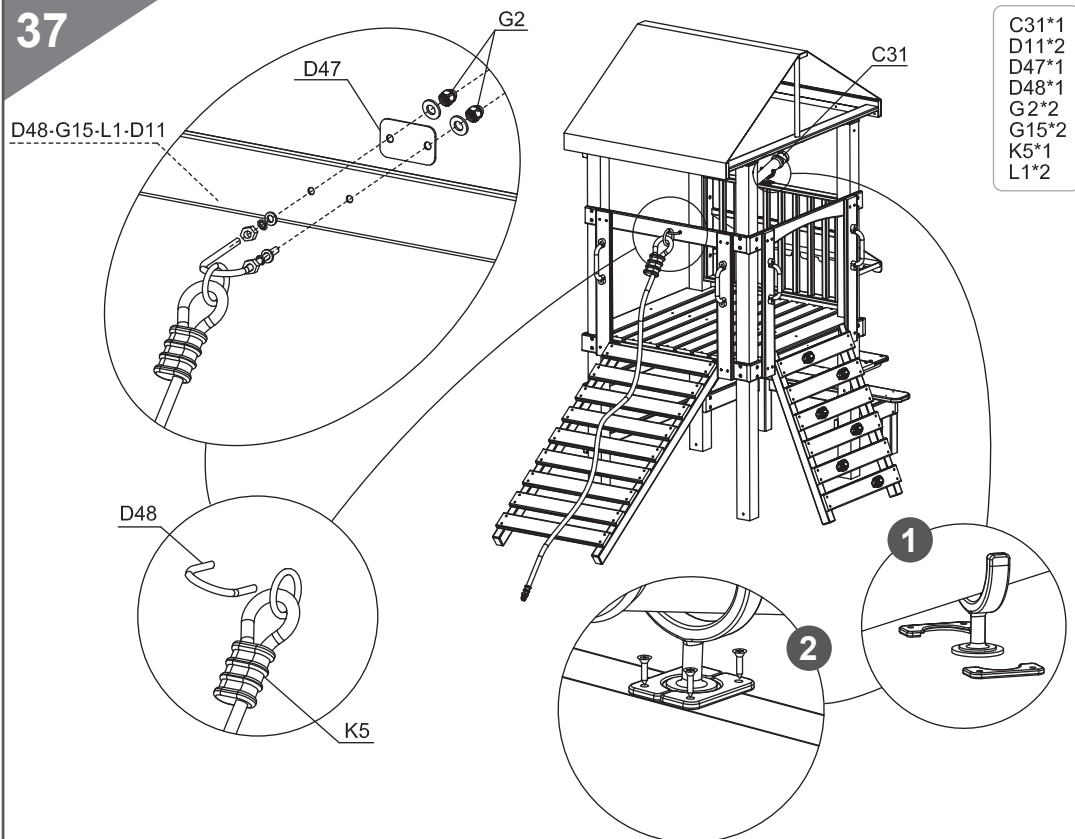
- B265*2
- D10*18
- E15*2
- E54*8
- G13*8
- H296*2
- H297*1
- H298*2
- I36*1
- J8*10
- J10*8
- J19*4
- L2*8

36



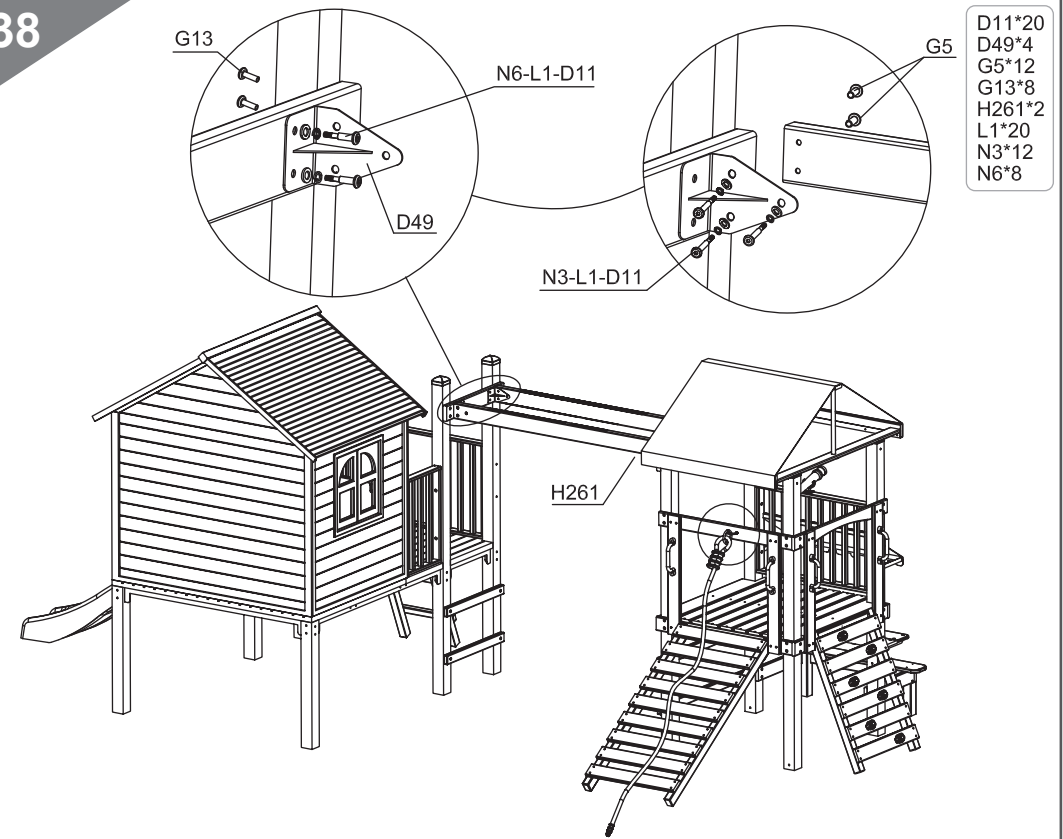
- D10*4
- E43*4
- G13*4
- H260*2
- L2*4

37



- C31*1
- D11*2
- D47*1
- D48*1
- G2*2
- G15*2
- K5*1
- L1*2

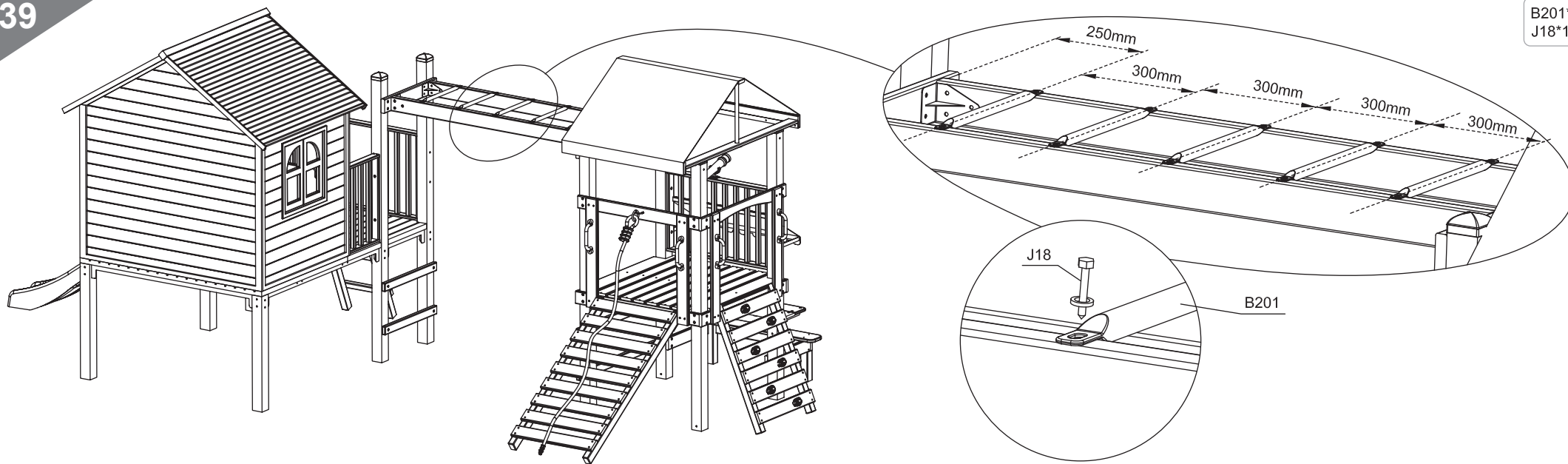
38



- D11*20
- D49*4
- G5*12
- G13*8
- H261*2
- L1*20
- N3*12
- N6*8

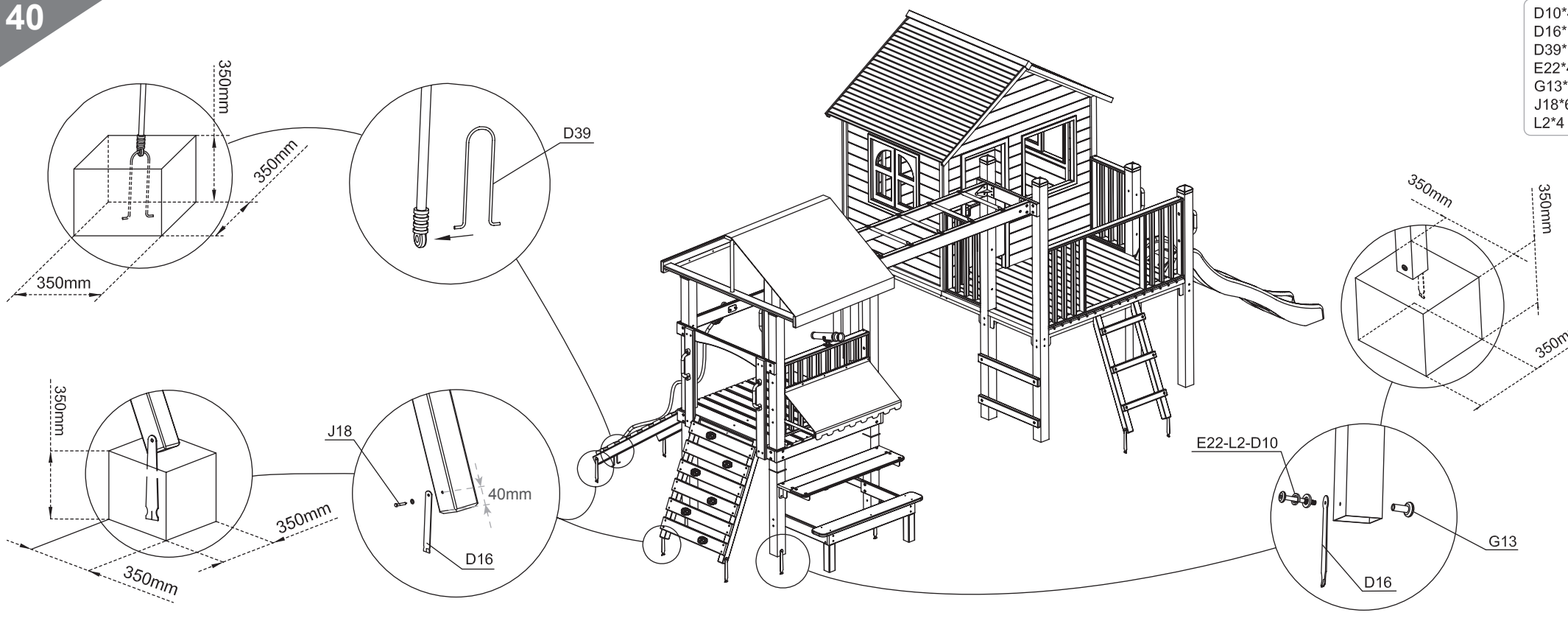


39

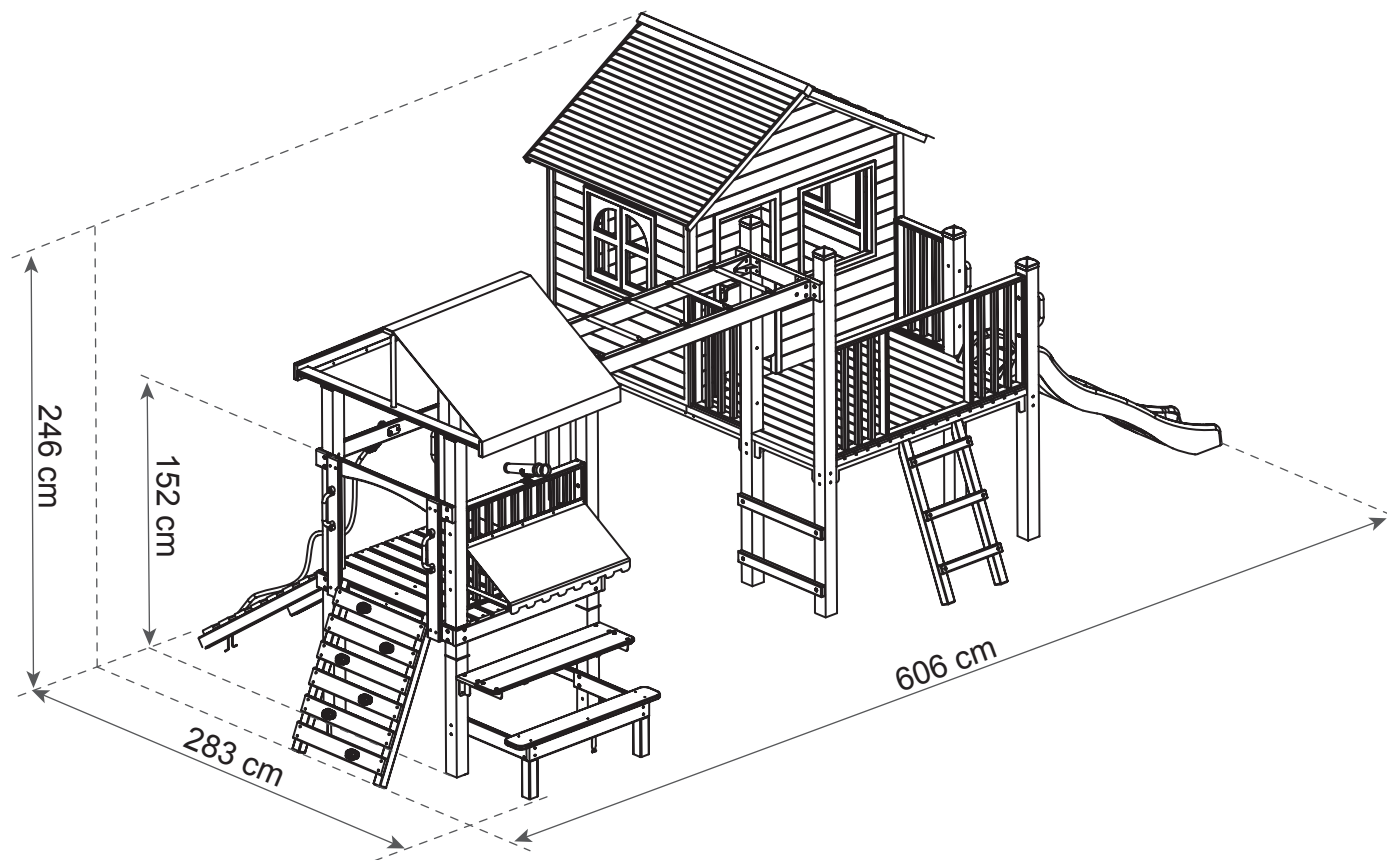


B201*5
J18*10

40



D10*4
D16*10
D39*1
E22*4
G13*4
J18*6
L2*4



Warning: Maximum fall heights 152 cm

