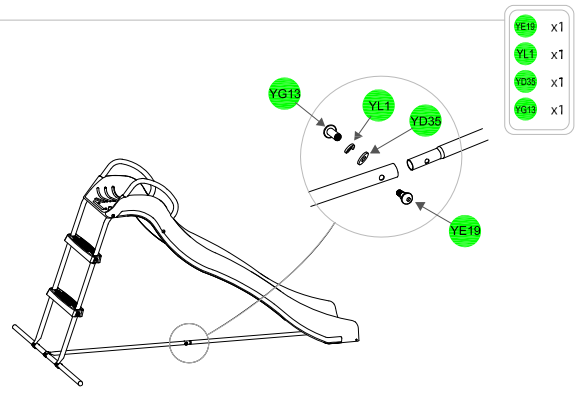
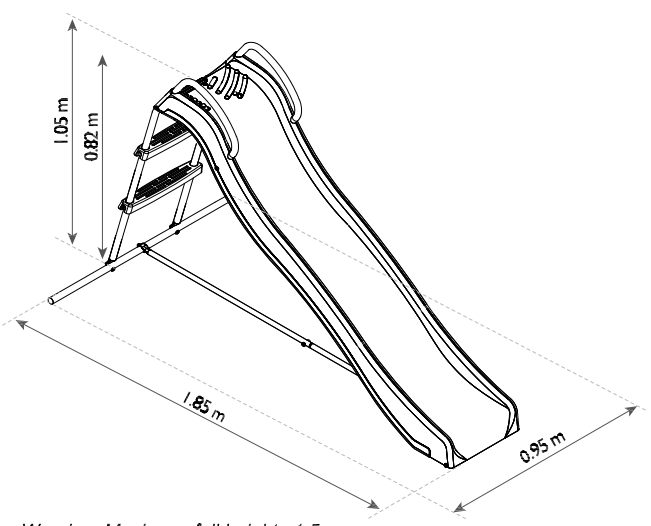
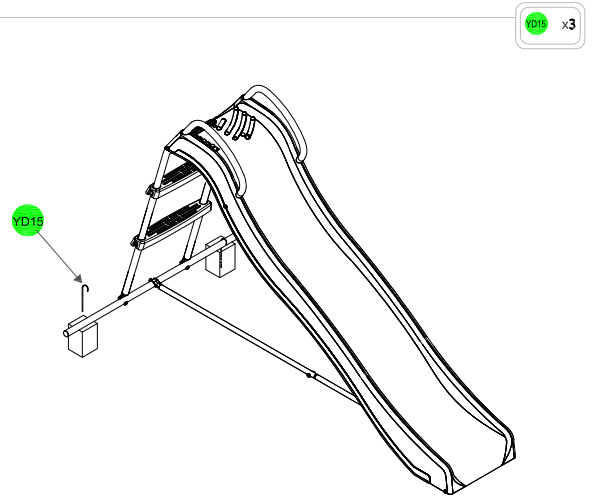




7



8



Warning: Maximum fall heights 1.5m


**SWING
SLIDE
CLIMB**
 Customer Support: (03) 9786 0055

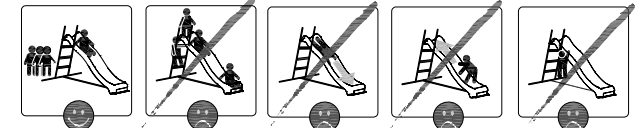
ASSEMBLY INSTRUCTIONS – Freestanding Slide
 To be retained for future use Warning: Only for domestic outdoor use.

Dear Customer,
 This Freestanding Slide satisfies all the requirements of the Australian Standard AS1885 and has been certified by an independent laboratory. To guarantee safety, please give special attention to the assembly, safety, and care instructions detailed in this document.

ASSEMBLY ADVICE
 Please follow the assembly instructions exactly as given.
 - This product must be assembled by an adult.
 - Keep a copy of your assembly instructions for future reference. This can be particularly handy for identification of parts if any after sales service is required.
 - We advise that the slide is not faced towards the sun
 - Before commencing, check that none of the parts are missing. If you find that you are missing a part please contact our after sales service department.

SAFETY ADVICE
 - This product must not be used by children under the age of 36 months. It is only for use by children between the ages of 3 and 7 years old with a maximum weight of 35 kg. It must be used under adult supervision.
 - As this product contains small parts that could be swallowed, please keep parts away from children under 36 months.
 - This product is only for private use at home and must never be used in parks and public gardens, in schools, camp sites, hotels, public leisure areas, etc.
 - This slide should be set up on a flat surface 2 metres away from all other things, structures or obstacles (walls, fences, trees, washing lines or electric cables etc.) that could cause injury during use.
 - This product must not be set up over hard surfaces such as concrete, asphalt or other hard surfaces. We recommend installation over grass or other such soft surfaces.
 - This slide must be embedded firmly into the ground. Please follow the provided installation instructions for this.
 - Anchors should be placed level with or below ground level to reduce tripping hazards.
 - The anchors must be checked regularly, in addition to the hooks and fixtures.
 - Dispose of packaging thoughtfully and do not leave within range of children.

FIXING INTO THE GROUND
IMPORTANT! For safety reasons, this product must be embedded into the ground
 - Place your slide in the desired position, mark 3 squares measuring 350x350mm on left, right and center points of the steel frame (the frame must be in the center of the squares) and dig holes 350 mm deep.
 - Fill the holes with a minimum of 300 mm of concrete. Do not exceed the ground level. Fit the embedding piece into the center of the concrete so that fixtures for attaching to the steel frame rise out of the concrete and over the frame to hold it secure in place.
IMPORTANT! Wait until the concrete is set before using your slide and check anchorages regularly



MAINTENANCE
 - All metal parts are galvanized steel and powder coated for rust protection; however, in certain areas close to the sea we advise that additional rust prevention treatment may be necessary.
 - The ground on which the product is placed should be controlled regularly. All elements such as stones or other objects that could cause injury in the case of a fall should be removed.

PRACTICAL ADVICE
 Frequent questions and observations

Safety
 - Safety checks should be carried out regularly on this product. These checks should include, if necessary, removing any sharp edges, replacing missing screw covers, and tightening the nuts and bolts. These checks should be done to avoid any danger through normal wear and tear.

Keep the additional components, they could be useful for later operation of maintenance.
 The dimensions provided are indicative only. They may vary according to the assembly method.
CAUTION! Fall danger.

