



Customer Support: (03) 9786 0055

### Fireman's Playset Extension (BRTO02)

Thank you for purchasing the Fireman's Playset Extension (BRTO02)

**Warning:** Only for domestic outdoor use.

This Play Set satisfies all the requirements of the Australian Standard AS/NZS ISO 8124 and has been certified by an independent laboratory. To guarantee safety, please give special attention to the assembly, safety, and care instructions detailed in this document.

#### ASSEMBLY ADVICE

- Follow the instructions exactly.
- This product must be assembled by adults.
- Once assembly has been completed, keep the instructions in a safe place for future reference. This can be particularly handy for identification of parts if any after sales service is required.
- Before commencing assembly, check that none of the parts are missing. If you find that you are missing a part please contact our after sales service department.
- Retain extra parts to use as spares in the future if necessary.
- Pre-Drill timber before fixing with screws to avoid cracks in the timber.

The dimensions given in the instructions are indicative only, they may vary according to the assembly method.

#### SAFETY ADVICE

- As per legal requirements, a swing seat with flexible means of suspension must have a 40cm minimal distance between the ground and the swing. This distance is important for safety. The distance between the swing seat and the ground and the trapeze and the ground can be adjusted using the plastic height adjustment hooks.
- **Warning:** This product is only to be used by children between the ages of 3 and 12.
- **Warning:** Not to be used by anyone weighing over 50kgs, simultaneously not to exceed a combined weight of 100 kgs.
- **Warning:** Choking hazard - small parts can be dangerous for children.
- **Warning:** This play set must be used under adult supervision.
- This product is for private use at home only. Under no circumstances is it to be used in parks, schools, camp sites, hotels, public leisure areas etc.
- The swing set should be set up on a flat surface at least 2 metres away from any structures or obstacles (walls, fences, trees, washing lines, cables etc).
- To avoid eye damage, we advise that the swing and slide should not be setup directly facing the sun.
- The swing set should be installed over impact absorbing surfaces such as sand, wood-bark chips, rubber and foam and must NOT be set up on a hard surface (concrete, tarmac etc). For detail on surfacing materials please refer to the attached consumer information sheet.
- Please see below diagram for maximum fall height of swing.
- The anchorage must be checked regularly.
- Dispose of packaging thoughtfully.
- Do not allow children to play with packaging.
- Maximum fall height for swing set please refer below graphic.

**CAUTION !** This Product includes timber and/or fabric, Please Keep away from fire.

#### FIXING INTO THE GROUND

**IMPORTANT !** For safety reasons, your Play Set must be embedded into the ground.

- Place your Play Set in the desired position and mark a square area 350mm x 350 mm around each of the feet. Dig holes 350 mm deep. (The feet must be in the center of the square)

- Fill the holes with concrete. Do not exceed the ground level. Fit the embedding piece into the center of the concrete so that fixtures for screwing the posts into place rise out of the concrete.
  - When the concrete is dry, screw the posts to the embedding pieces.
  - Anchors shall be placed level with or under ground in order to reduce tripping hazards.
- IMPORTANT !** Wait until the concrete is set before using and check anchorages regularly.

#### MAINTENANCE

- All parts should be checked at least once a month.
- Check all nuts and bolts for tightness and tighten when required.
- Check for signs of wear to bolt coverings. If sharp edges are found, replace as required.
- In certain regions (seaside areas), certain coatings could be prone to damage. In this case, it is advised to use a rust prevention treatment.
- Check swing seats, chains, ropes and other means of attachment for evidence of deterioration; replace when required in accordance with the manufacturer's instructions.
- All parts that are under constant friction should be oiled regularly using a suitable lubricant.
- The ground on which the play centre is set up should be cleared regularly. All objects such as stones or anything else that could cause injury in the case of a fall should be removed.
- It is recommended that during the winter period when the equipment is not in use, all apparatus are removed to prevent deterioration due to bad weather.
- Sand rusted areas and tubular members and repaint using a non-lead based paint when required
- Modifications to the original activity toy should only be carried out under instructions from the manufacturer.
- Defective parts should only be replaced in accordance with the manufacturer's instructions.
- For aesthetic reasons, you may want to apply a timber treatment to the timber parts.

#### IMPORTANT NOTICE FOR TIMBER CARE & MAINTENANCE

This product contains timber components that are naturally subject to deterioration in the outdoor elements. All outdoor timber products require routine inspection and regular maintenance.

To combat the effects of outdoor exposure and greatly increase the lifespan of your play set or cubby, **we strongly recommend that you apply a protective coat of exterior grade lacquer or oil to all timber parts upon first assembly.** In order to best maintain the timber we recommend reapplying protective coats every 3 months.

**Failure to care for your timber parts by applying protective lacquer or oil will greatly reduce the lifespan of your product.**

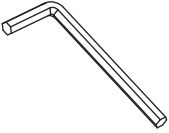
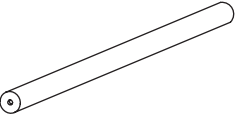
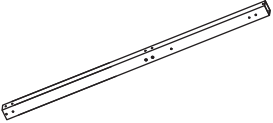
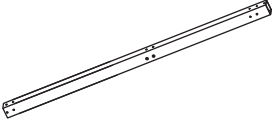
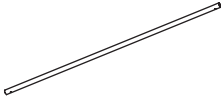



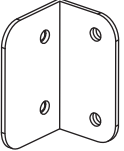

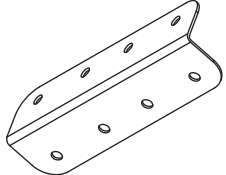
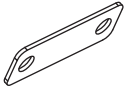
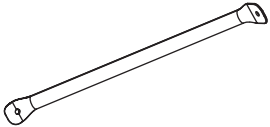
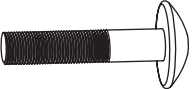
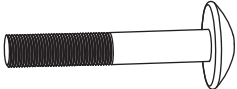

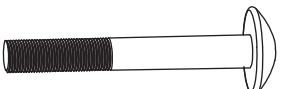
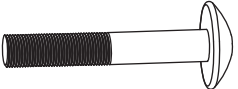
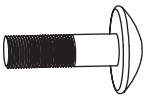
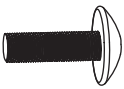
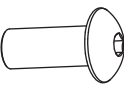
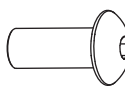
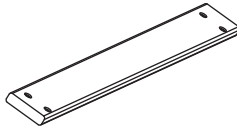
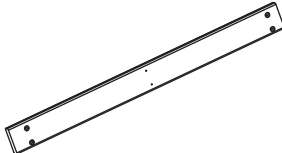
For information on the most suitable exterior lacquer or oil, please consult your hardware specialist. Please ensure the product does not contain hazardous chemicals once dry that can pose a potential health risk to children.

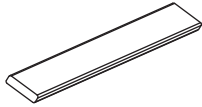
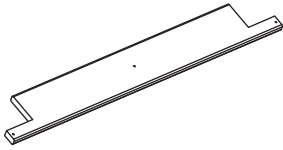
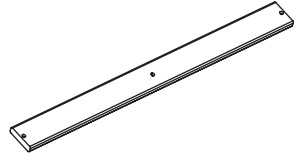
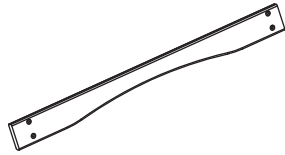
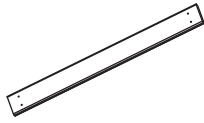
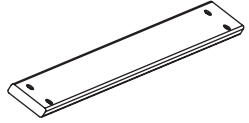
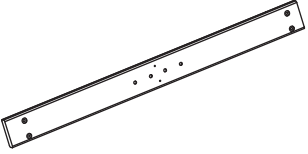
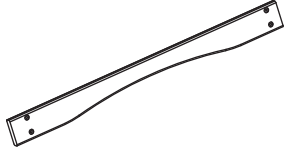
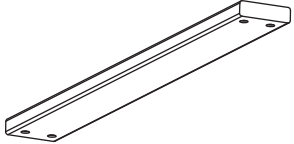
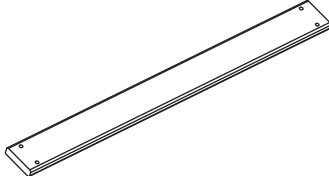
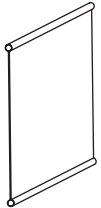
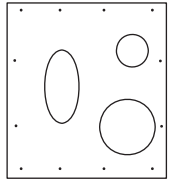
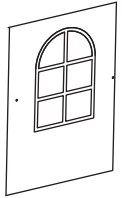
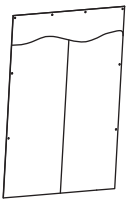




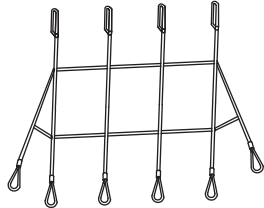


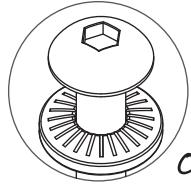

To ensure continued safety of your product, **Major timber maintenance should be performed at twelve month intervals from the date of installation.** All timber parts should be inspected for splintering and structural defects and treated as follows:

- For very minor splinters or chipping, a light sand and coat of exterior water repellent oil/varnish is suitable.
- If timber has cracked, rotted, or split significantly, replacement parts may be required. Please contact our customer service team on (03) 9786 0055 for all replacement part enquiries.

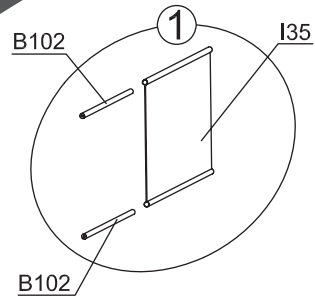
We hope you have a safe and enjoyable time using the Fireman's Playset Extension (BRTO02)



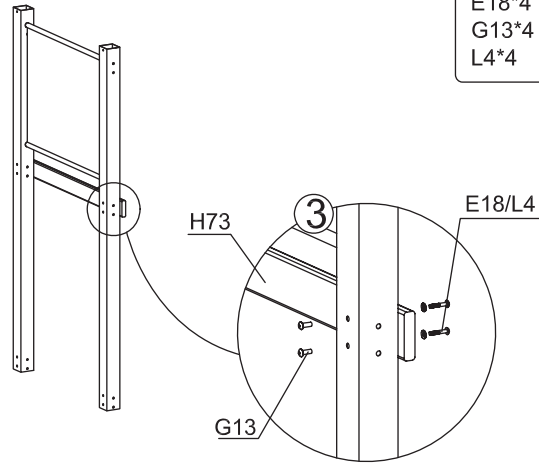
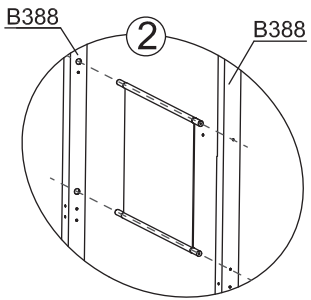
 A4*2	 B102*2	 B388*2	 B389*2	 B390*1	 C16*4
M6  D10*28	 D16*5	 D23*4	 D31*20	 D65*2	 D66*4
 D67*2	 E1*4 Ø6*35	 E13*6 Ø6*74	 E15*1 Ø6*30	 E18*39 Ø6*90	 E22*1 Ø6*78
 E28*8 Ø6*25	 E54*18 Ø6*16	 G5*8 M6*12	 G13*65 M6*20	 H73*4 1022*90*22	 H74*1 1022*90*22

<p>1000*90*22</p>  <p>H78*1</p>	<p>1044*140*18</p>  <p>H79*2</p>	<p>1044*90*18</p>  <p>H80*7</p>	<p>1000*90*22</p>  <p>H81*1</p>	<p>865*90*18</p>  <p>H294*5</p>	<p>1022*90*22</p>  <p>H334*2</p>
<p>1022*90*22</p>  <p>H335*1</p>	<p>1022*90*22</p>  <p>H82*1</p>	<p>1000*105*30</p>  <p>H337*2</p>	<p>1044*90*22</p>  <p>H338*2</p>	<p>I35*1</p> 	<p>I51*1</p> 
<p>I52*2</p> 	<p>I53*1</p> 	<p>Φ5*25</p>  <p>J3*2</p>	<p>Φ4.5*35</p>  <p>J10*90</p>		
<p>Φ4.5*20</p>  <p>J8*28</p>	<p>K6*8</p> 	<p>K9*2</p> 	<p>M6</p>  <p>L4*76</p>		
				 <p>OK</p>	 <p>NO</p>

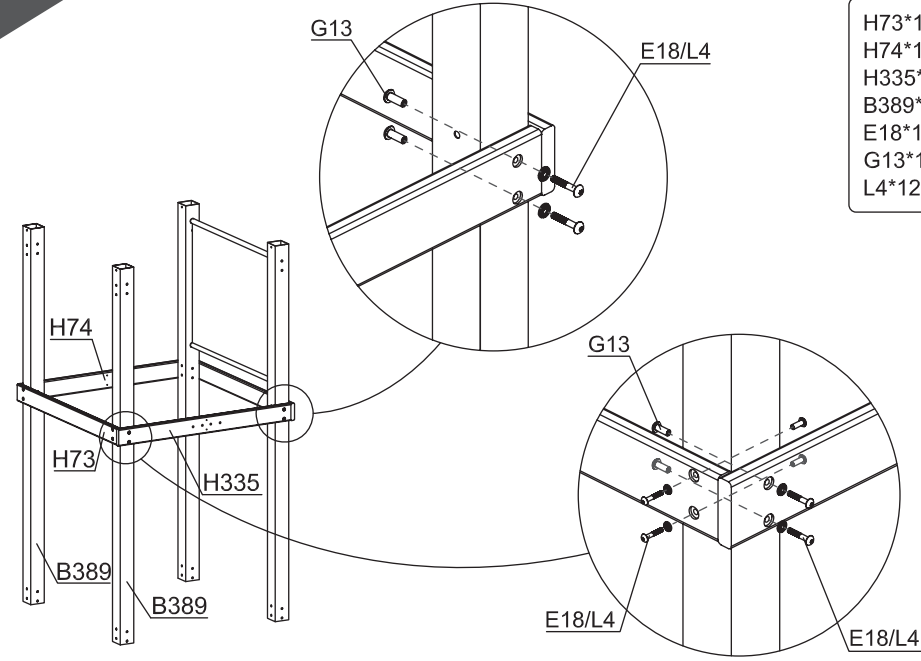
1



- B388\*2
- B102\*2
- I35\*1
- H73\*1
- E18\*4
- G13\*4
- L4\*4

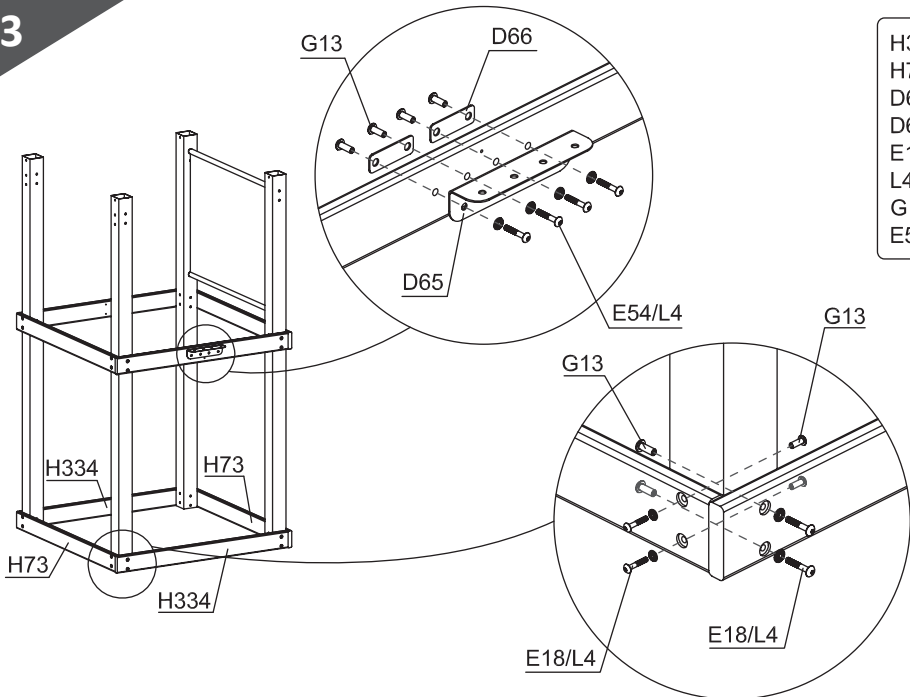


2



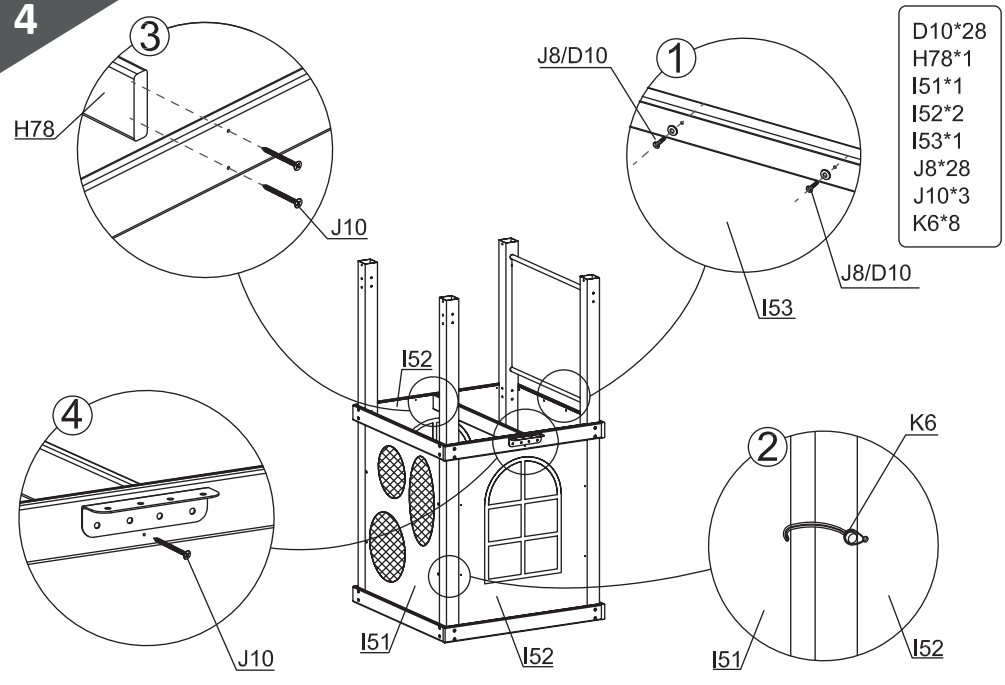
- H73\*1
- H74\*1
- H335\*1
- B389\*2
- E18\*12
- G13\*12
- L4\*12

3



- H334\*2
- H73\*2
- D65\*1
- D66\*2
- E18\*16
- L4\*20
- G13\*20
- E54\*4

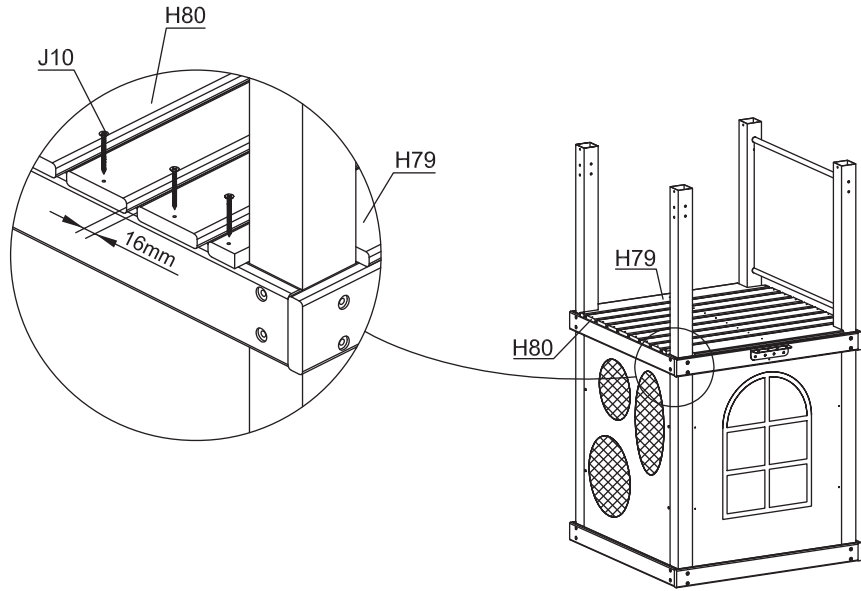
4



- D10\*28
- H78\*1
- I51\*1
- I52\*2
- I53\*1
- J8\*28
- J10\*3
- K6\*8

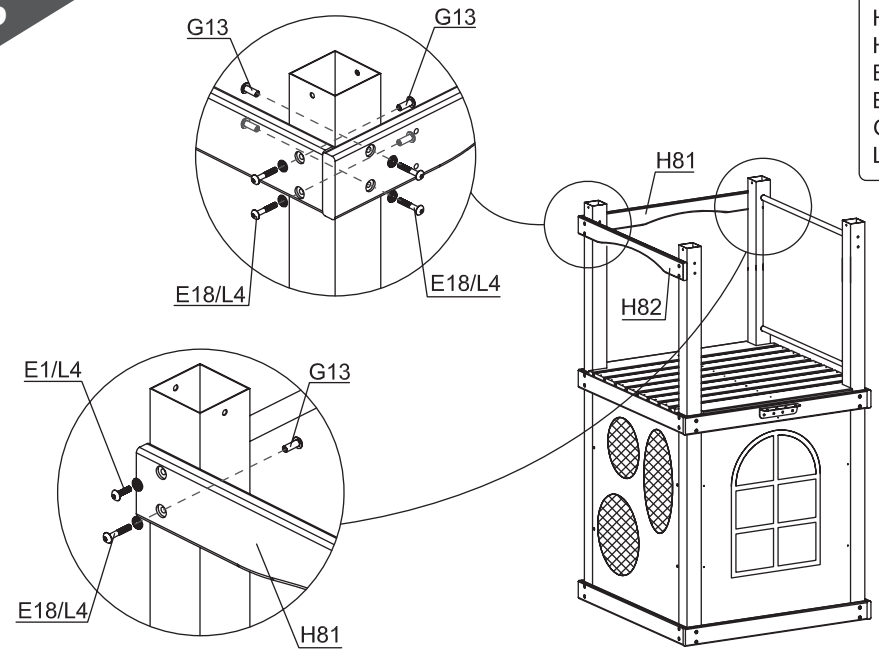


5



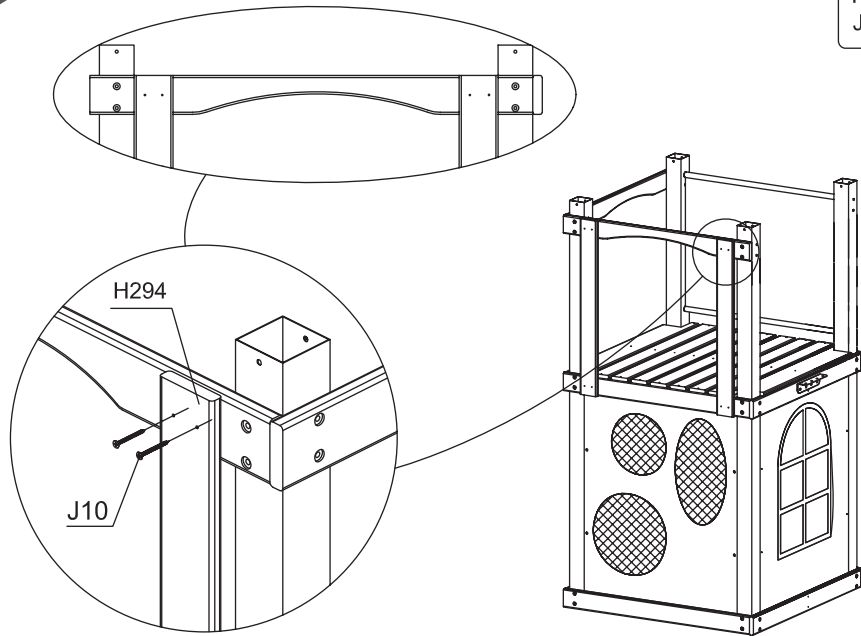
H79\*2  
H80\*7  
J10\*27

6



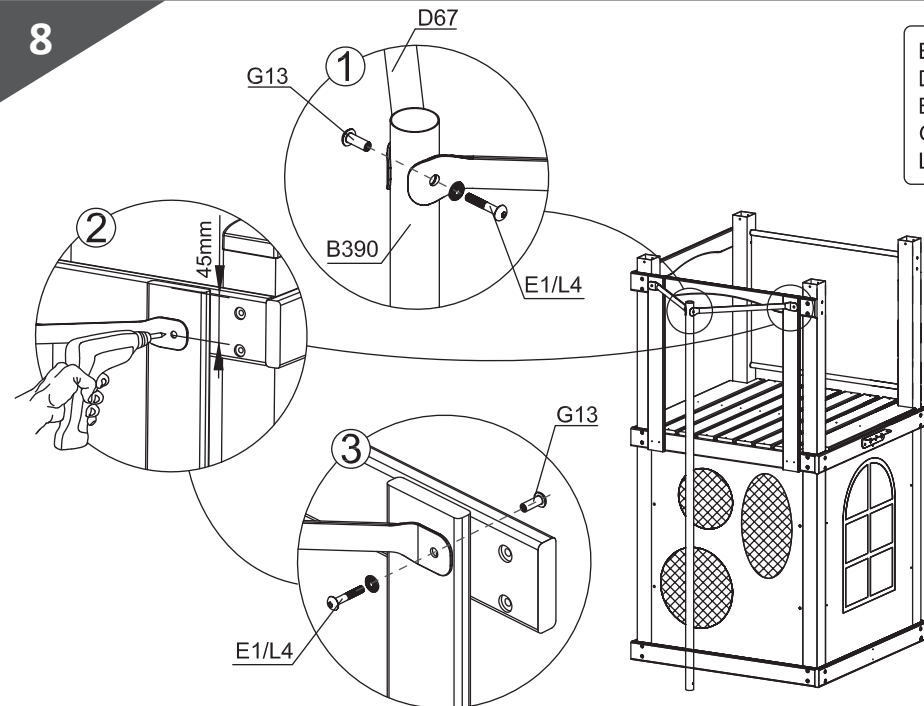
H82\*1  
H81\*1  
E18\*7  
E1\*1  
G13\*7  
L4\*8

7



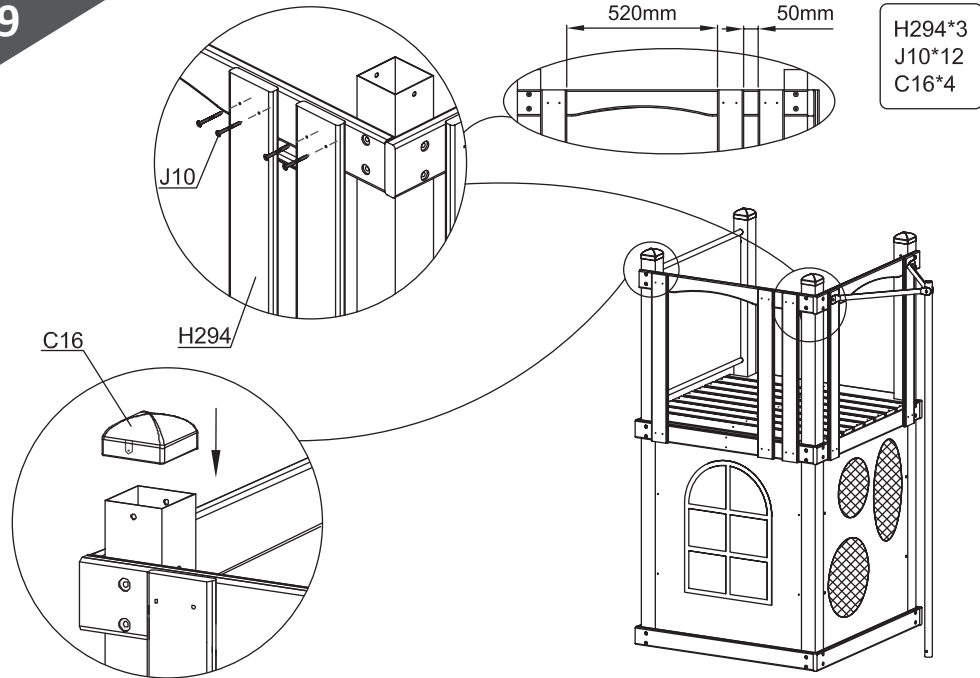
H294\*2  
J10\*8

8

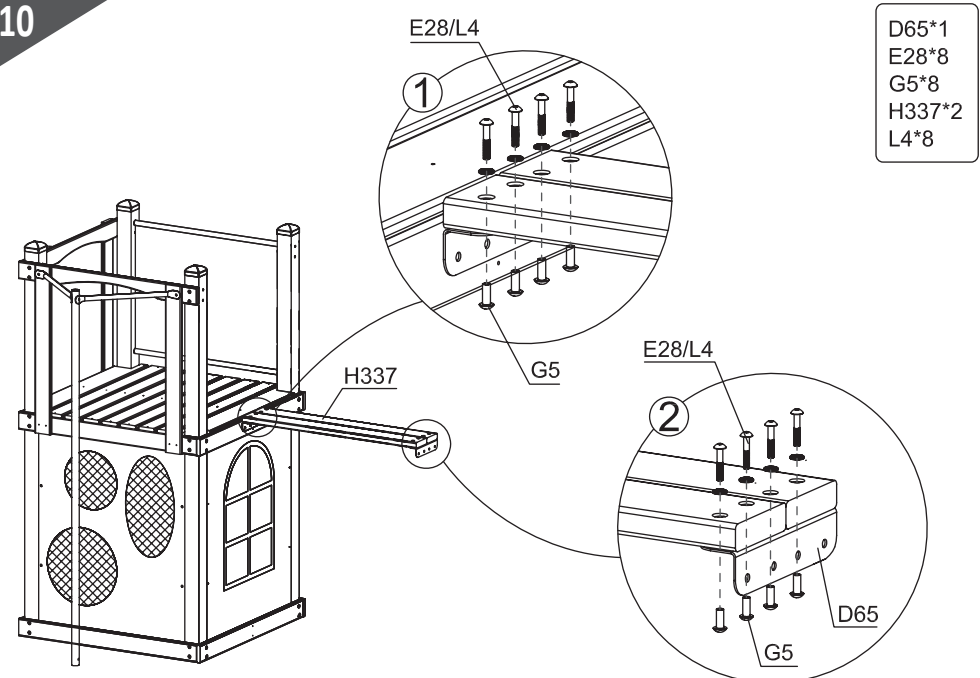


B390\*1  
D67\*2  
E1\*3  
G13\*3  
L4\*3

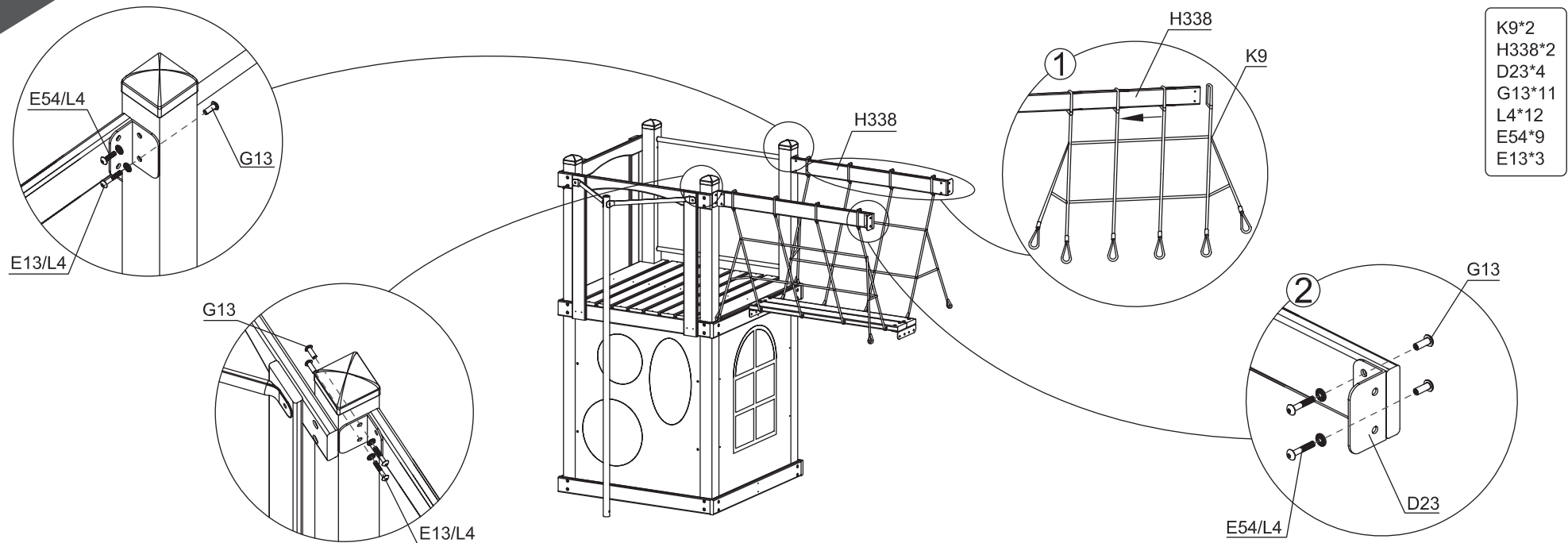
9



10

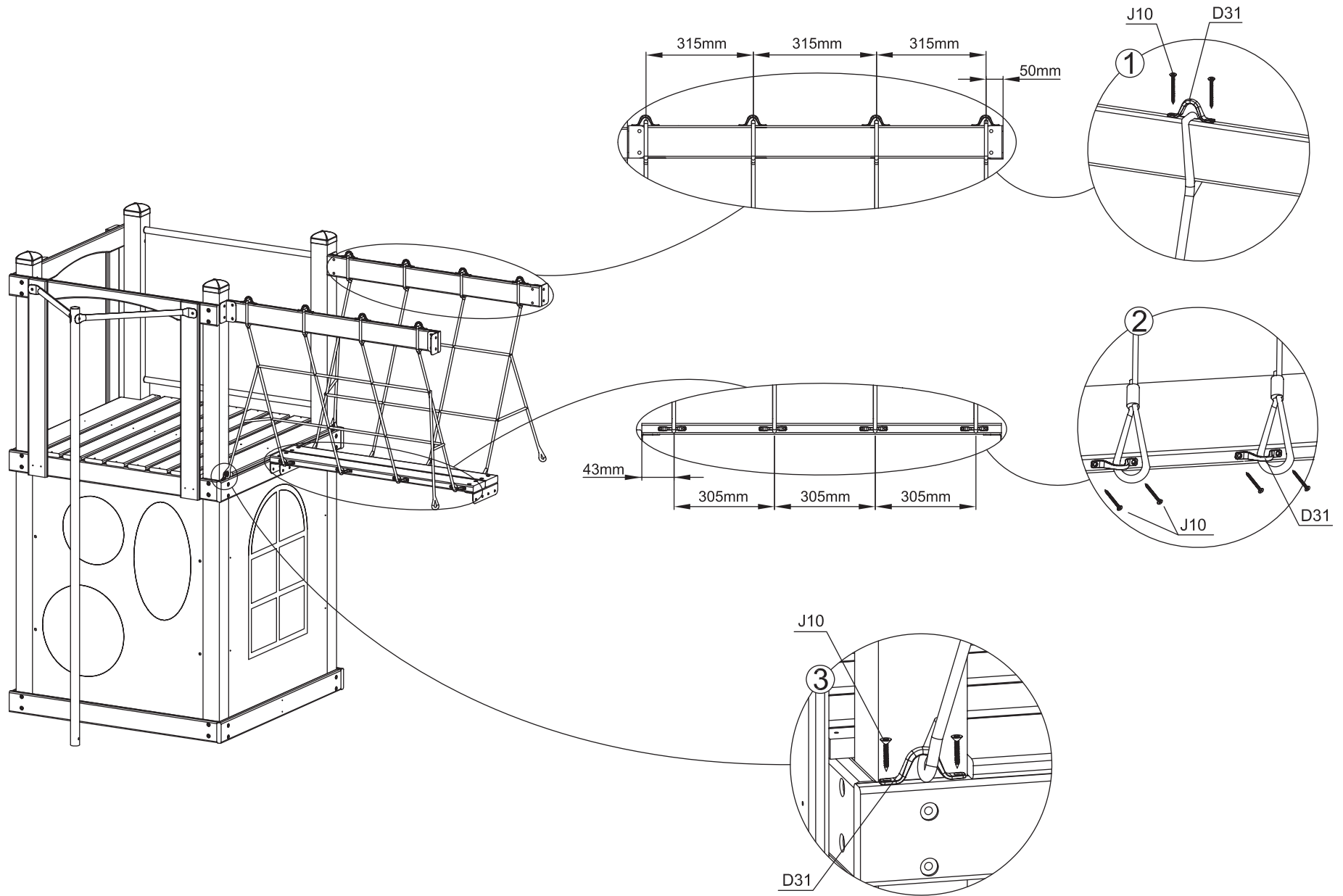


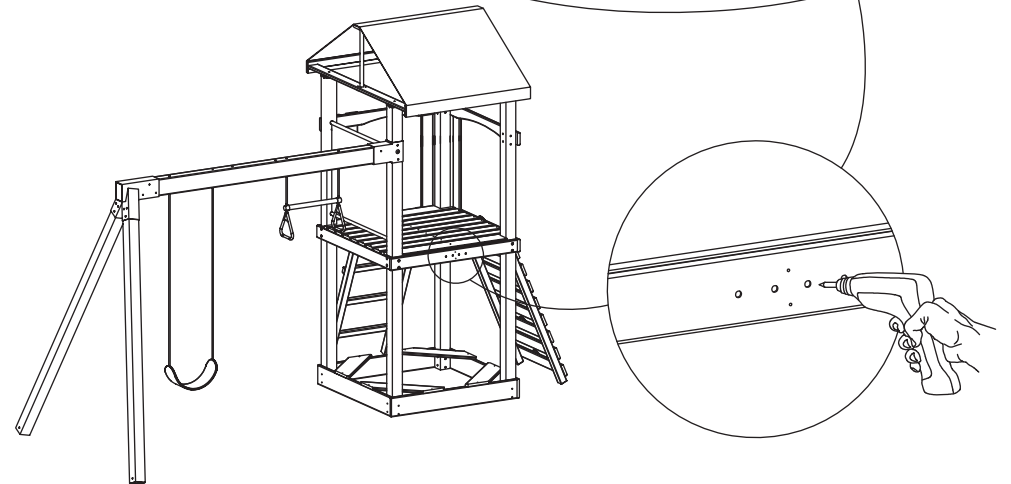
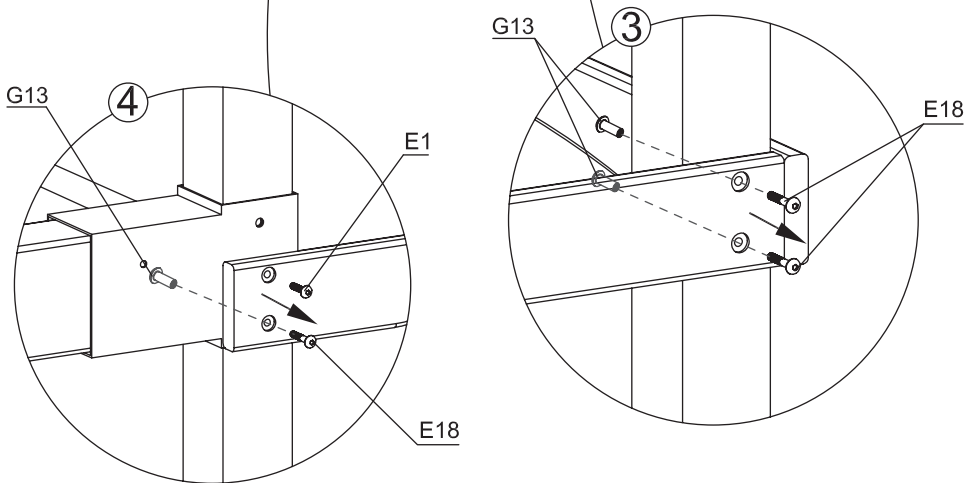
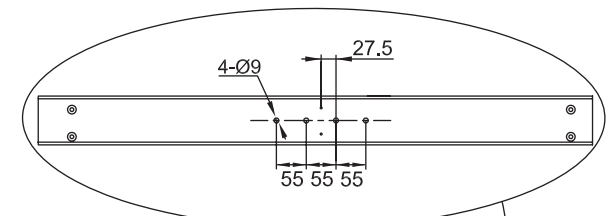
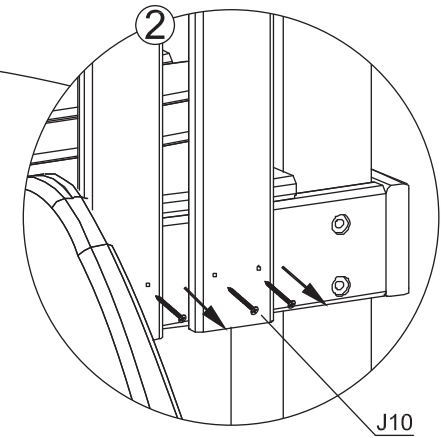
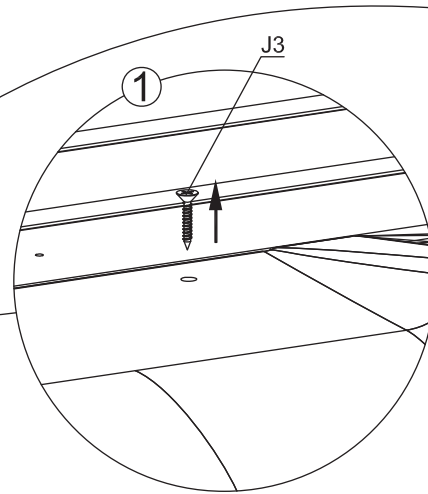
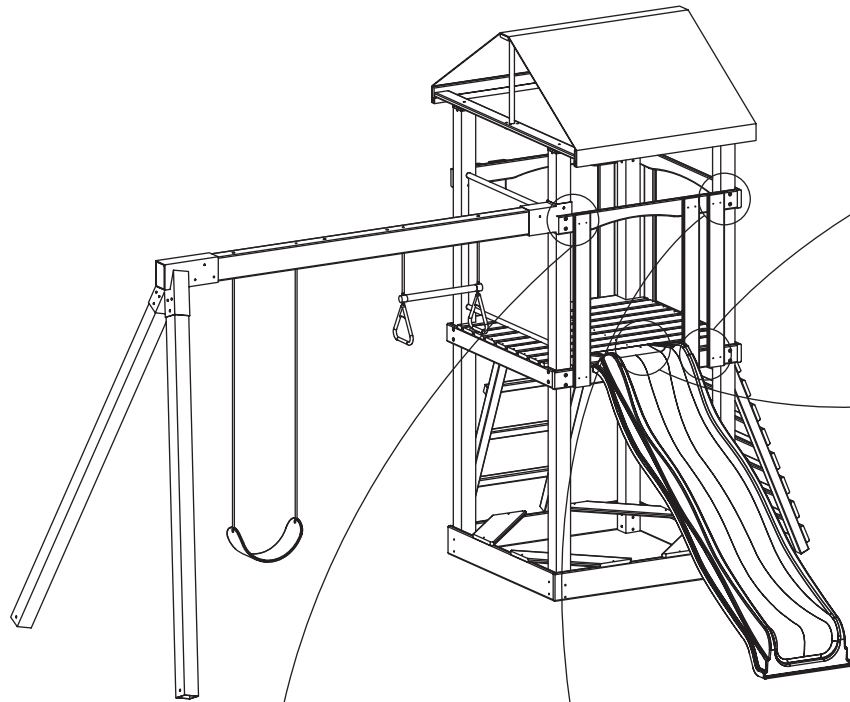
11



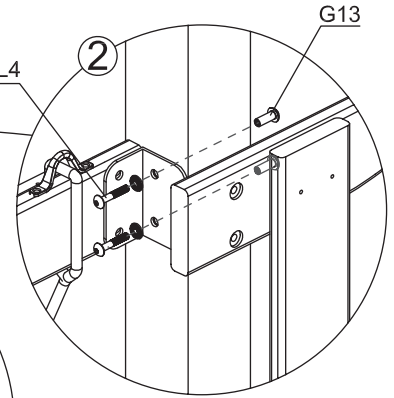
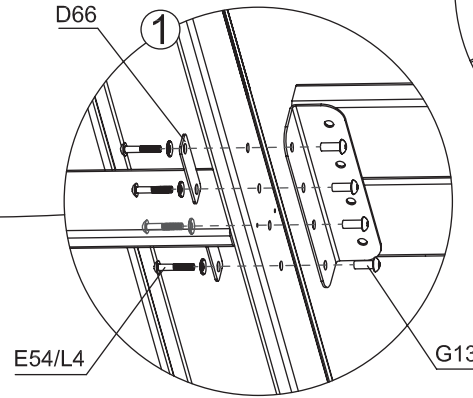
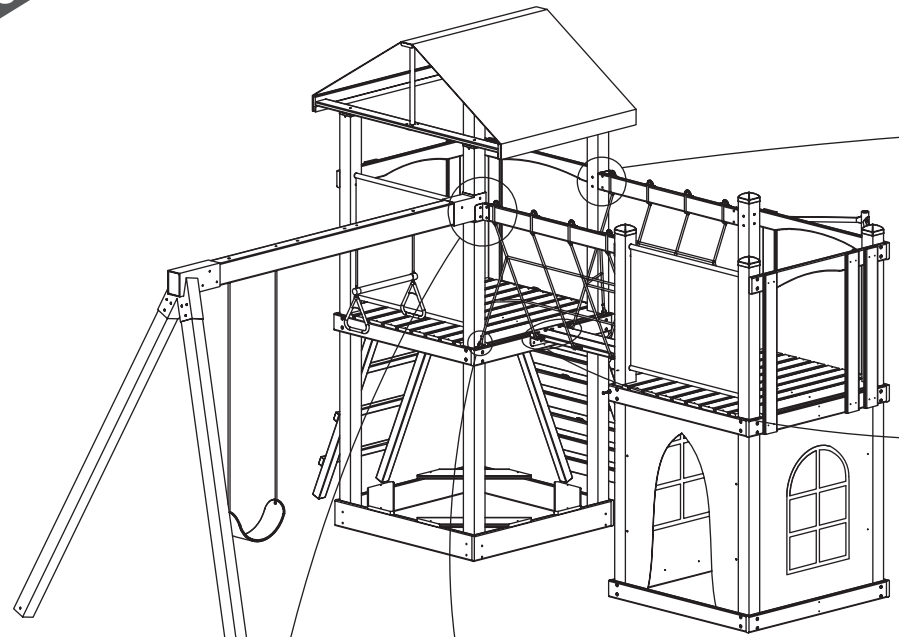
D65\*1  
E28\*8  
G5\*8  
H337\*2  
L4\*8

K9\*2  
H338\*2  
D23\*4  
G13\*11  
L4\*12  
E54\*9  
E13\*3

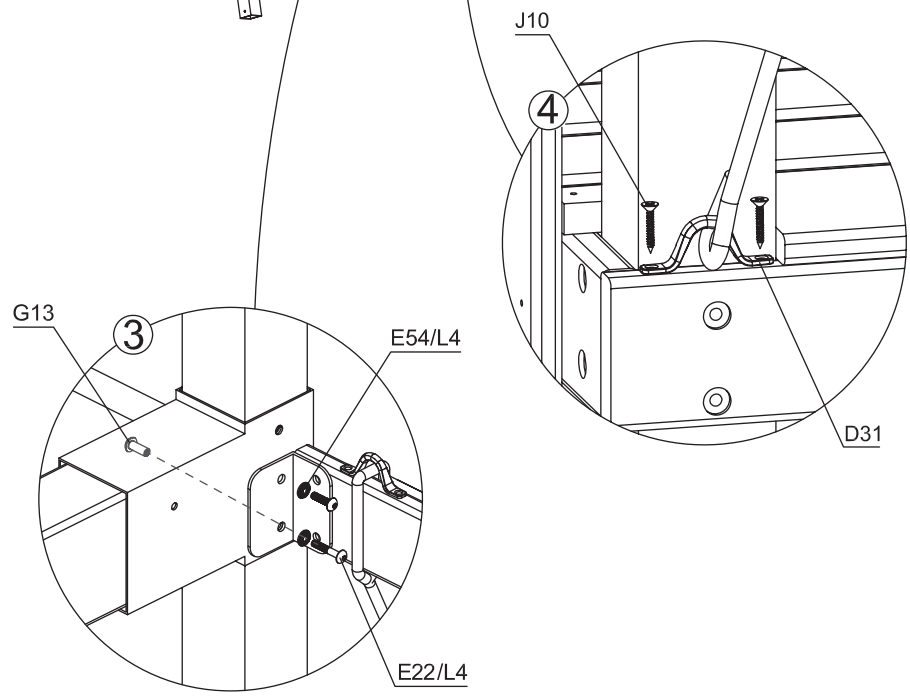




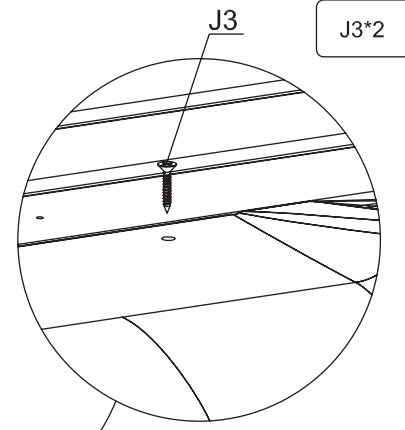
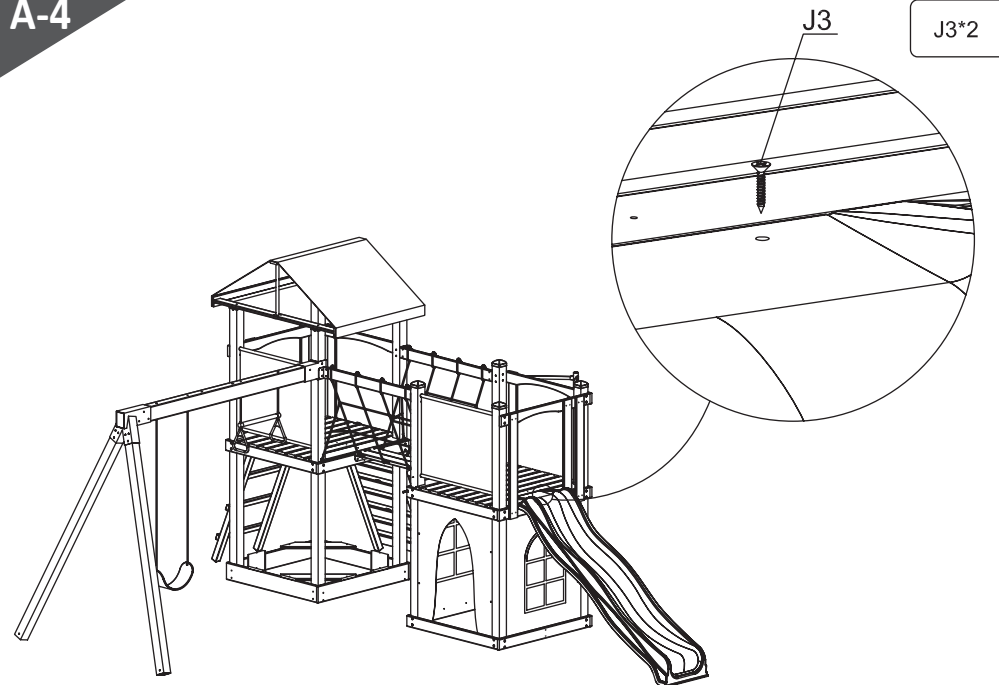
A-3



- D31\*2
- D66\*2
- E13\*2
- E22\*1
- E54\*5
- G13\*7
- J10\*4
- L4\*8

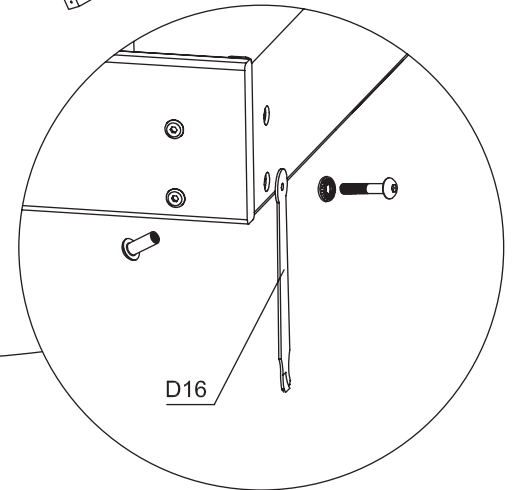
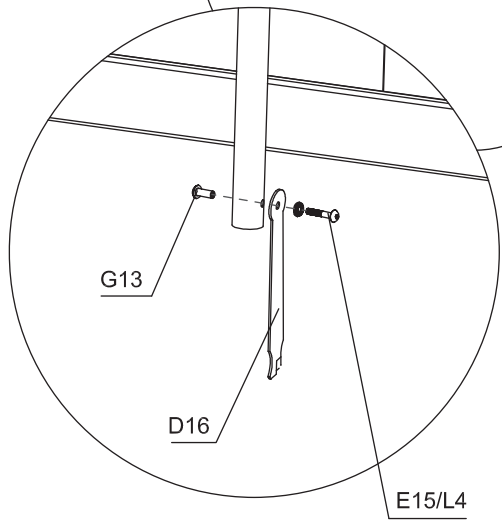
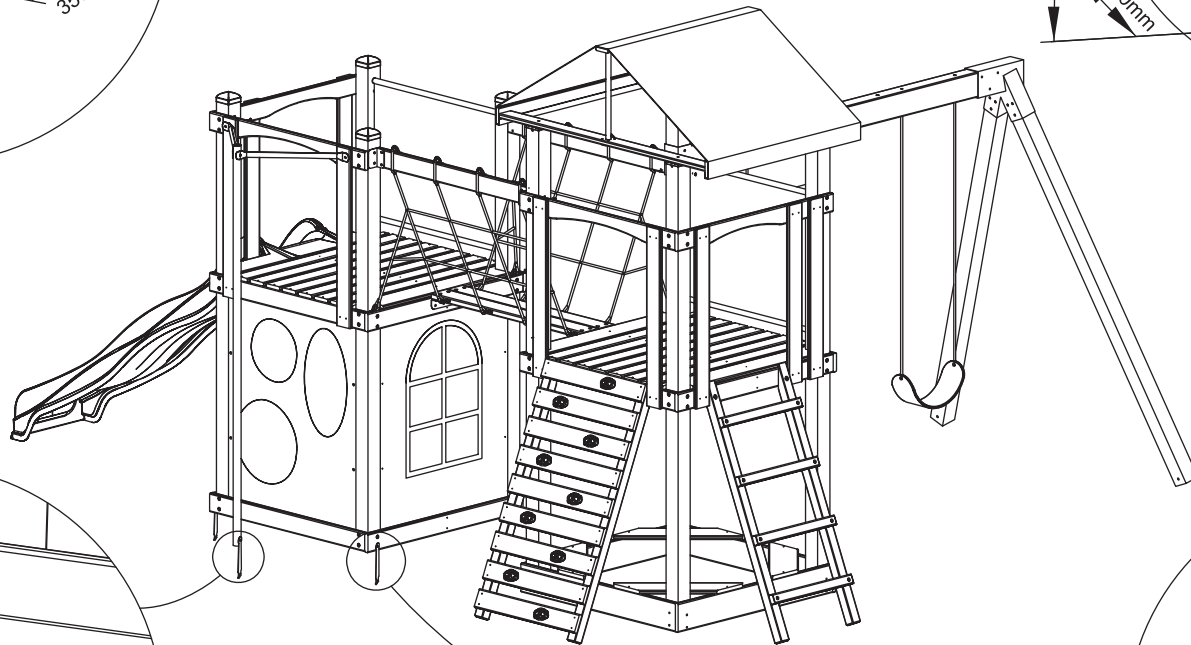
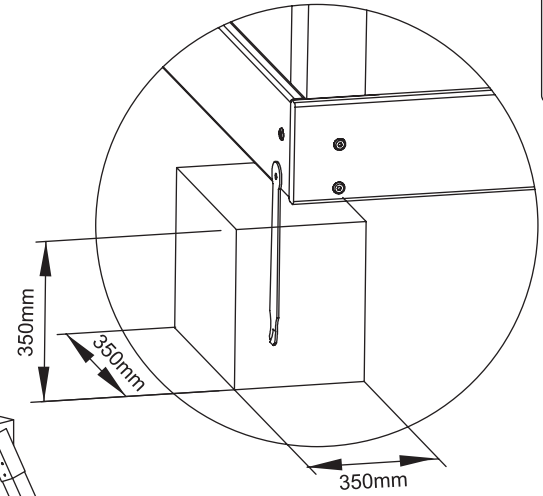
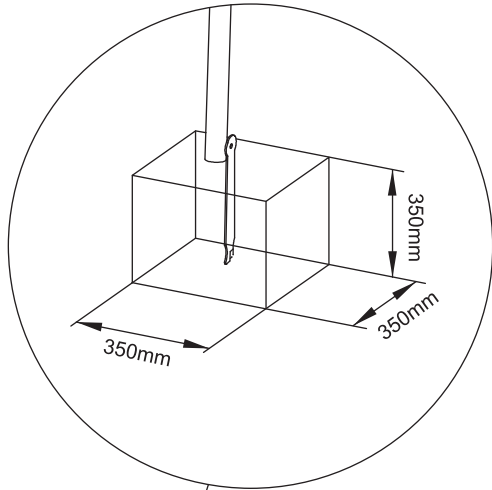


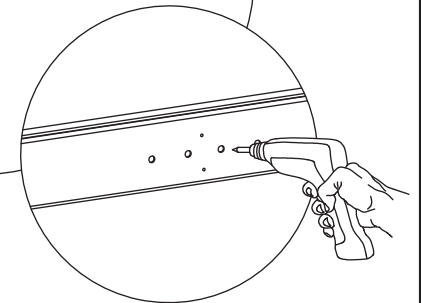
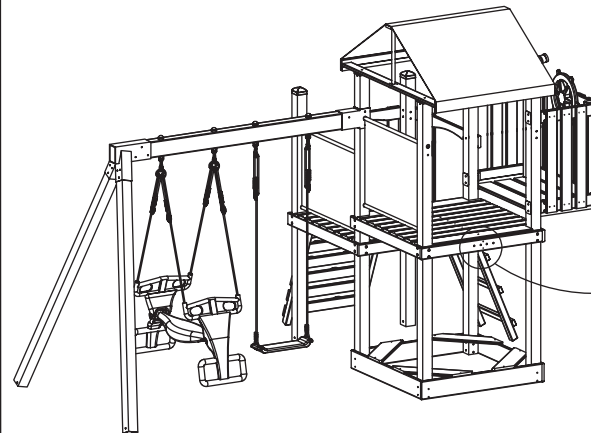
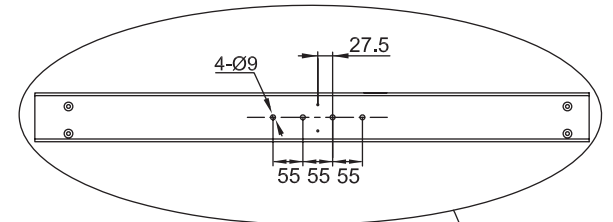
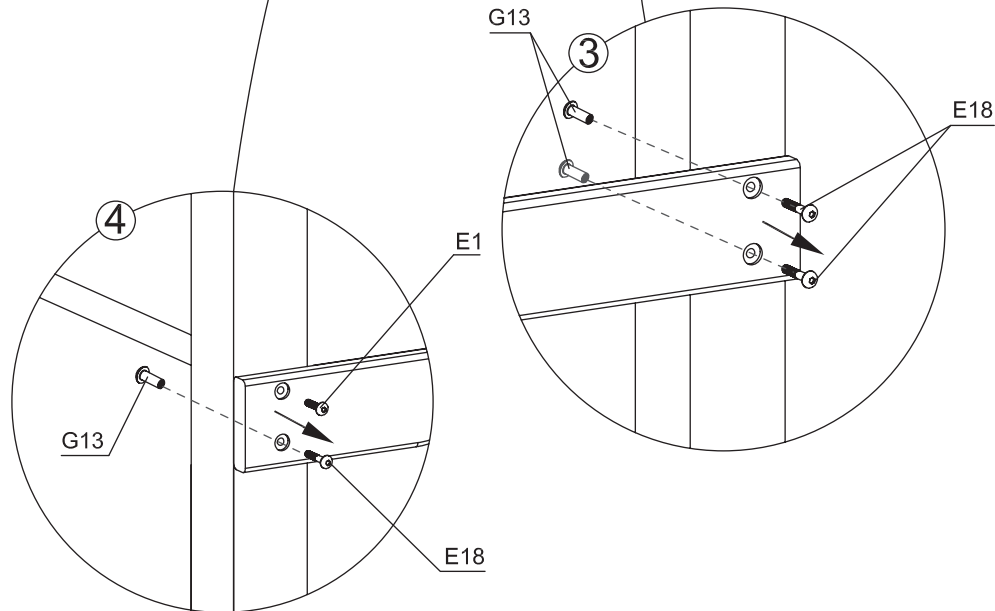
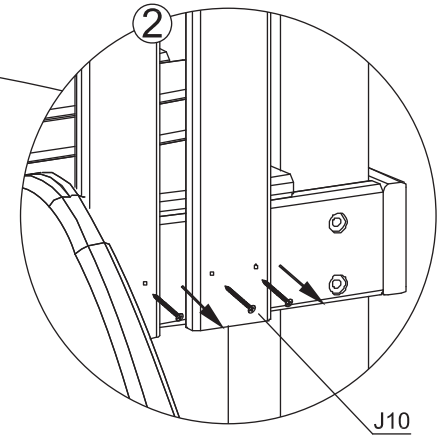
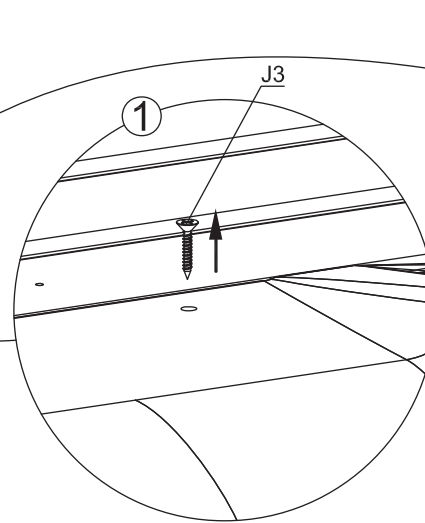
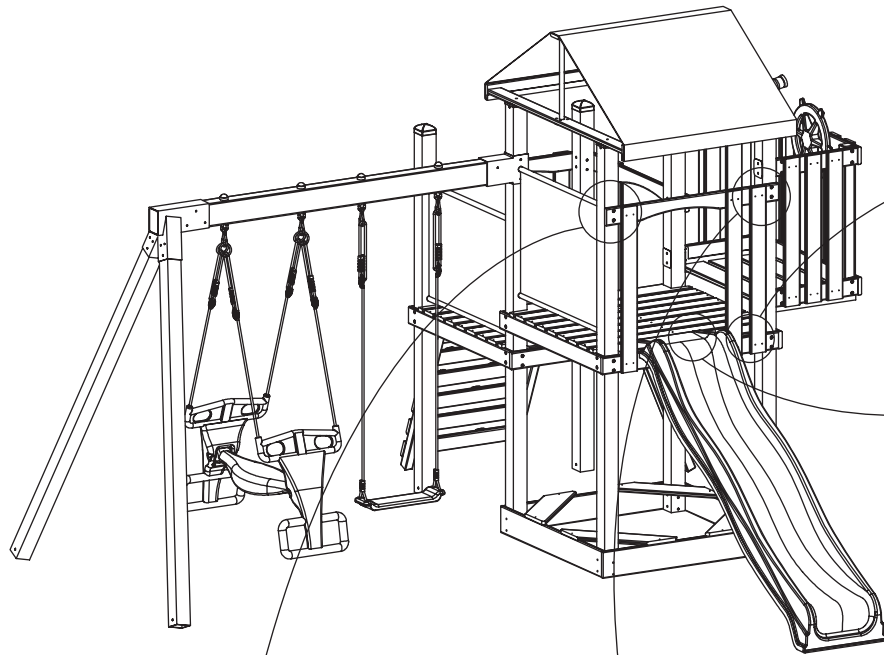
A-4



- J3\*2

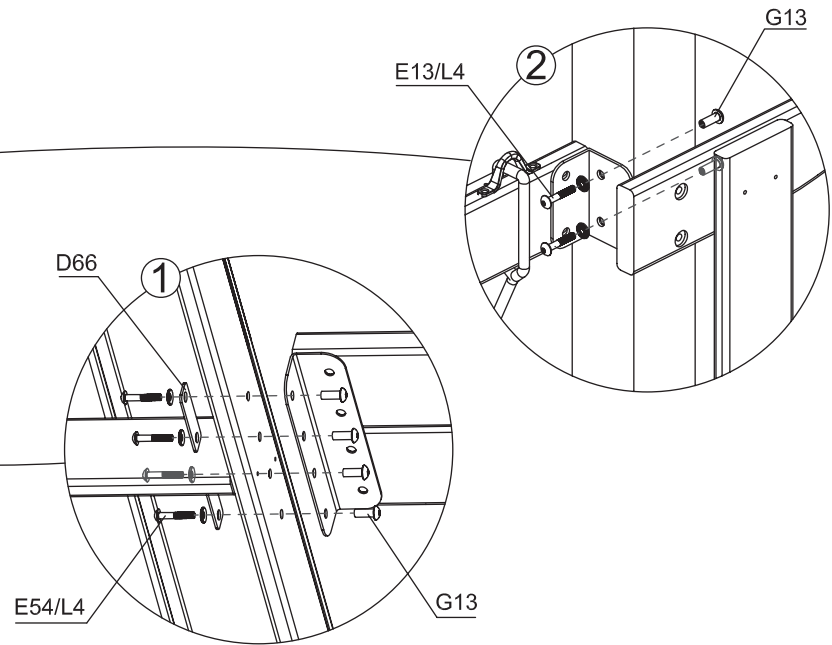
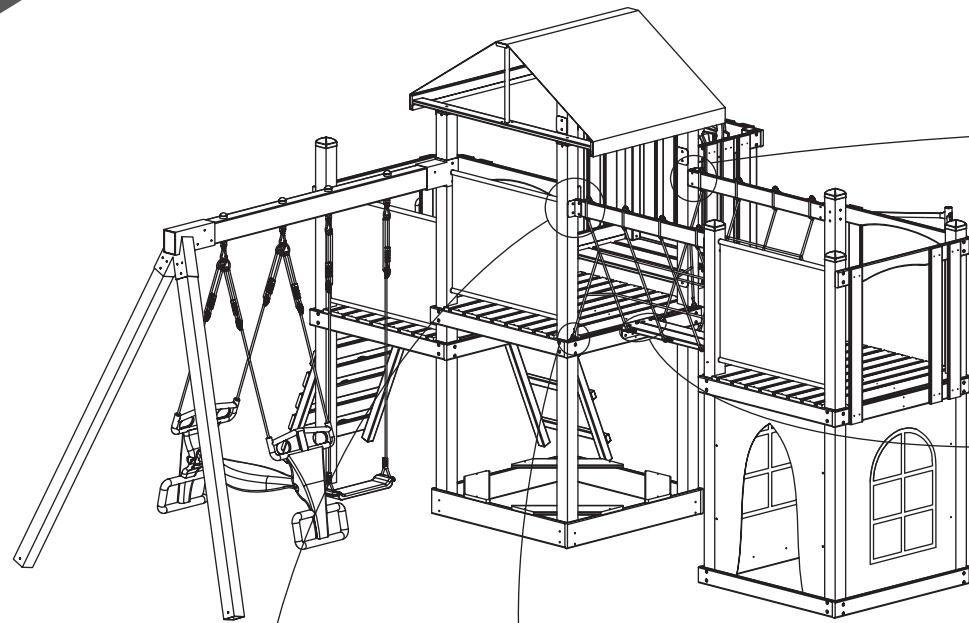
- D16\*5
- E15\*1
- L4\*1
- G13\*1



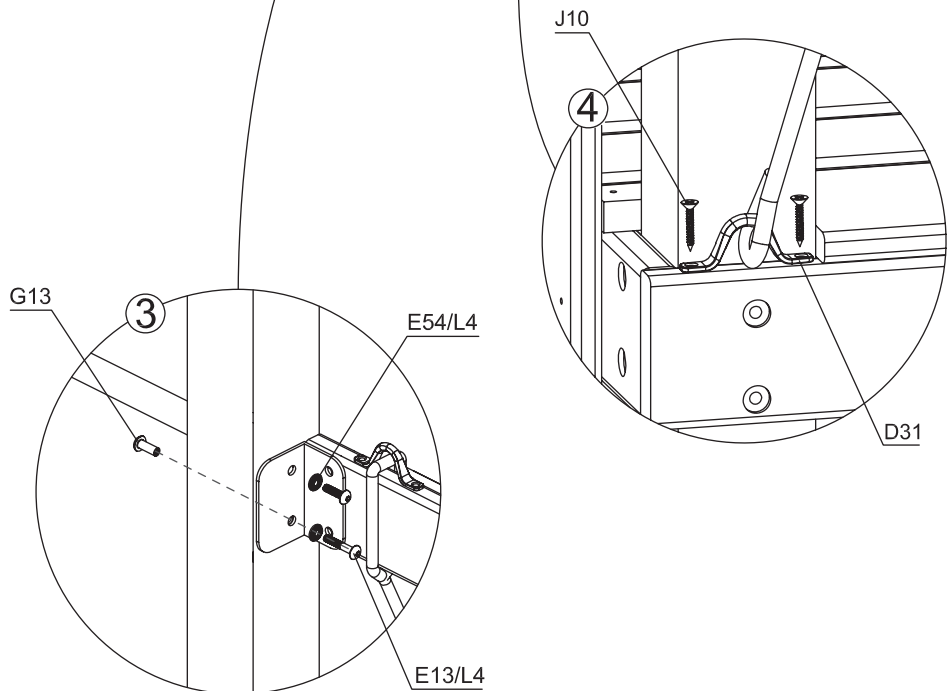




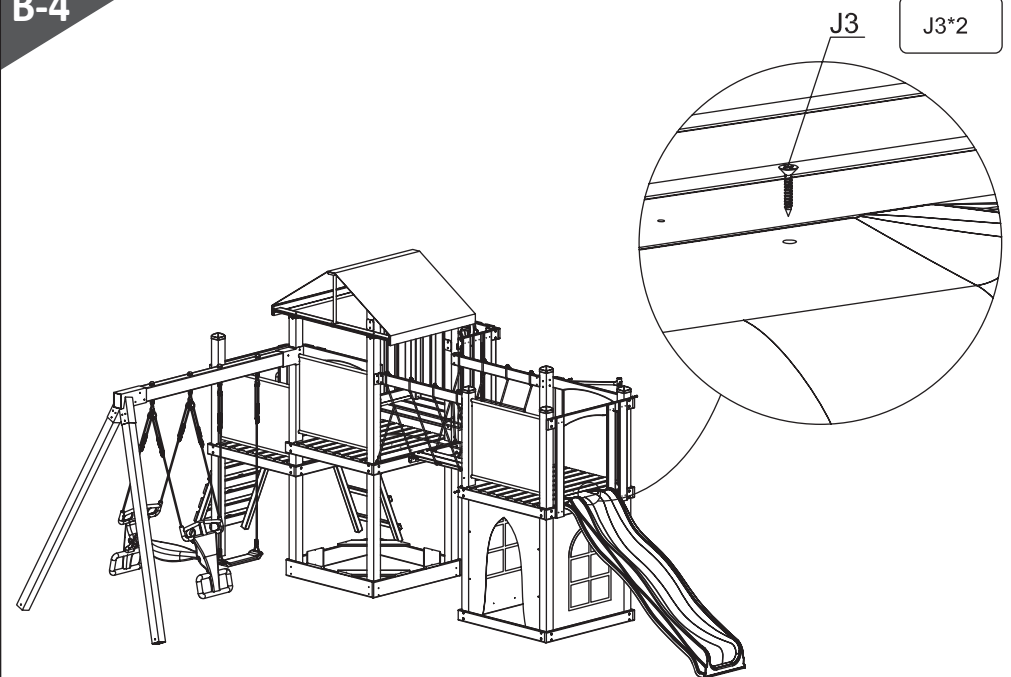
B-3



- D31\*2
- D66\*2
- E13\*3
- E54\*5
- G13\*7
- J10\*4
- L4\*8

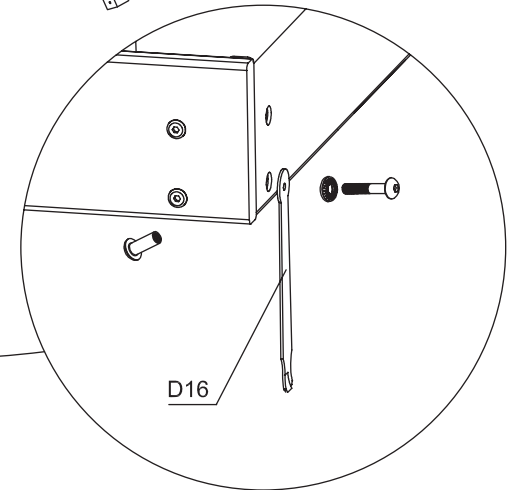
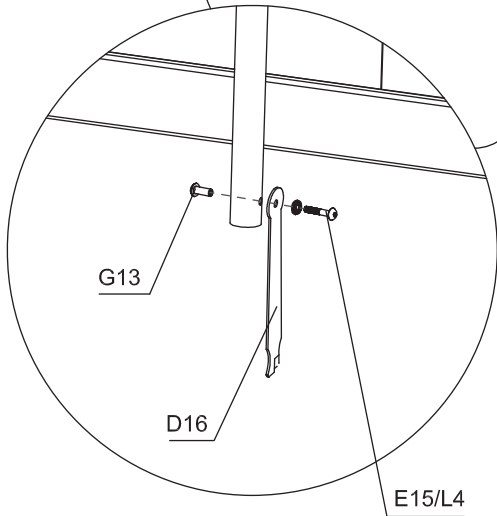
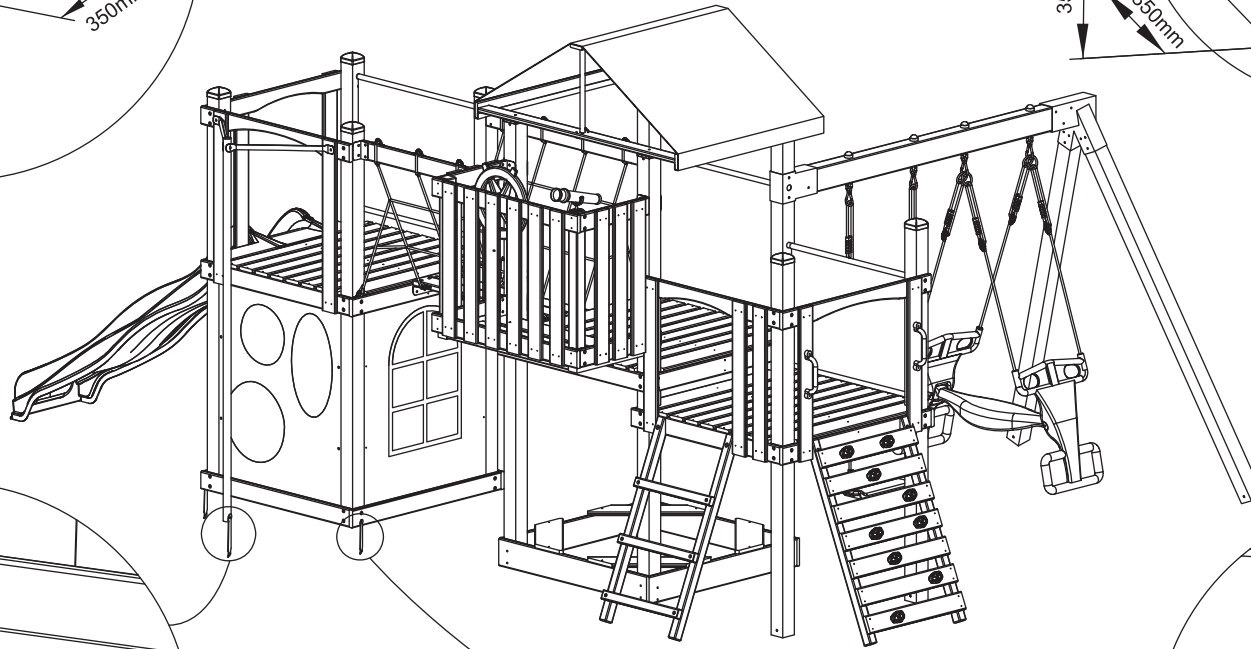
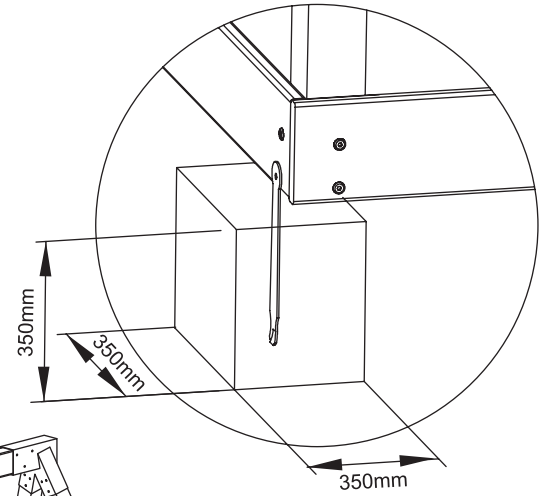
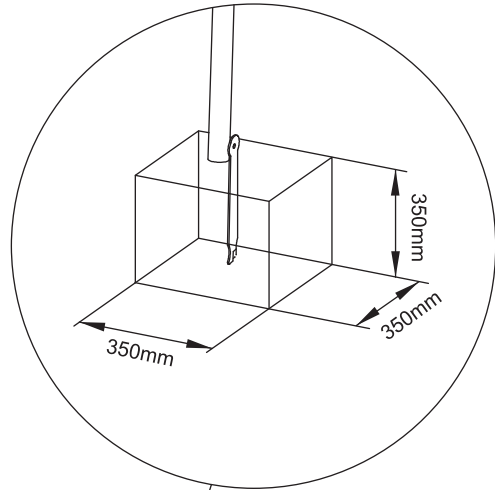


B-4



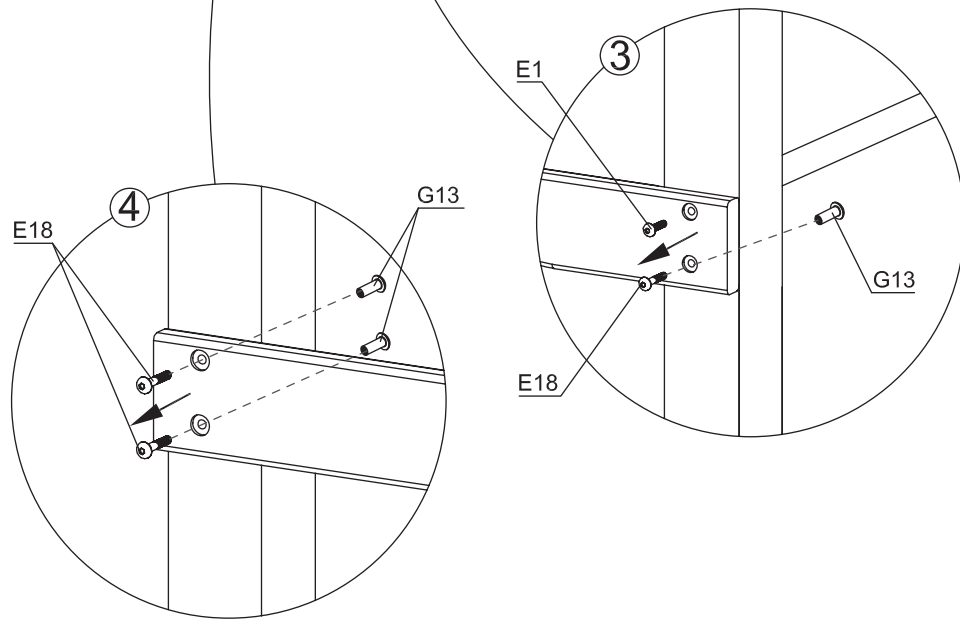
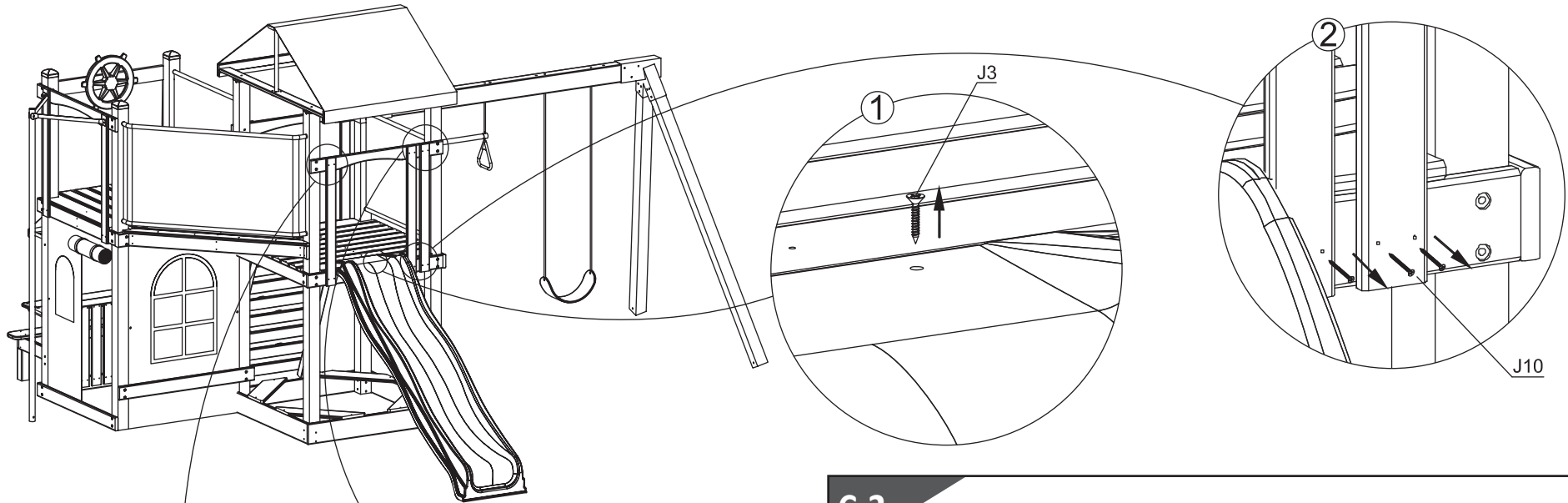
- J3
- J3\*2

- D16\*5
- E15\*1
- L4\*1
- G13\*1

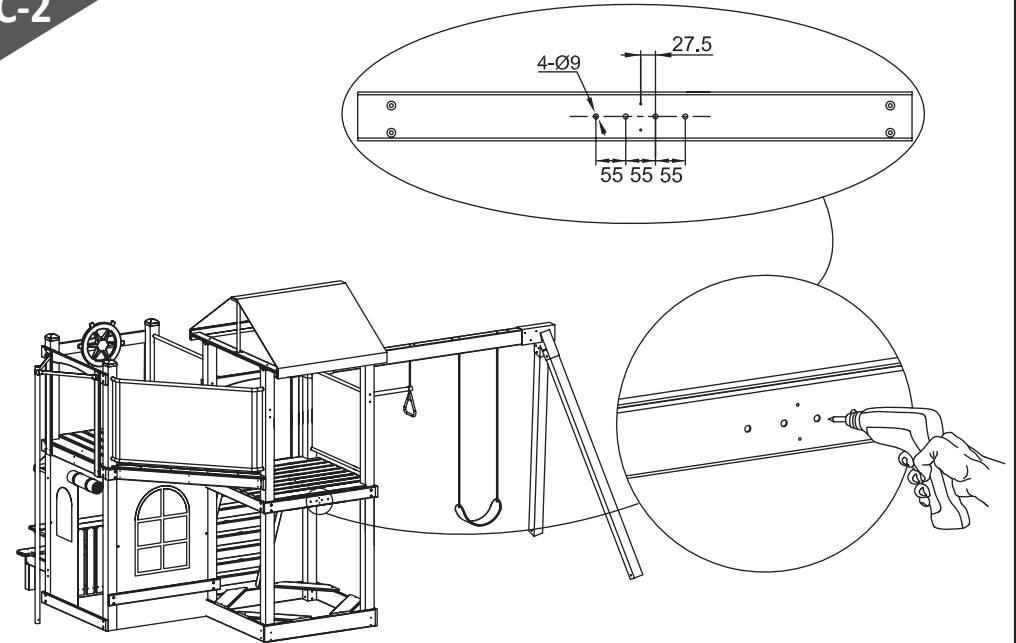


C-1

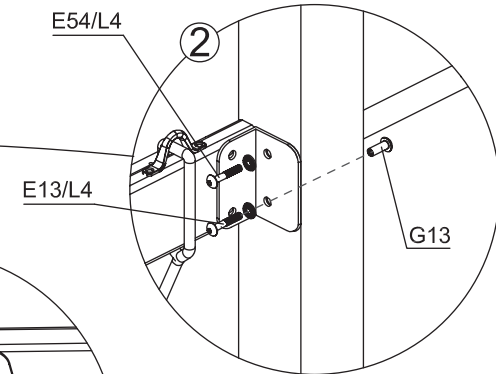
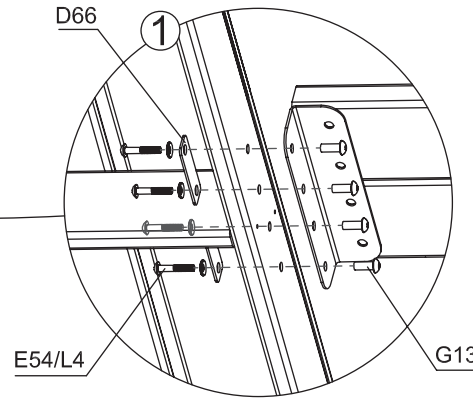
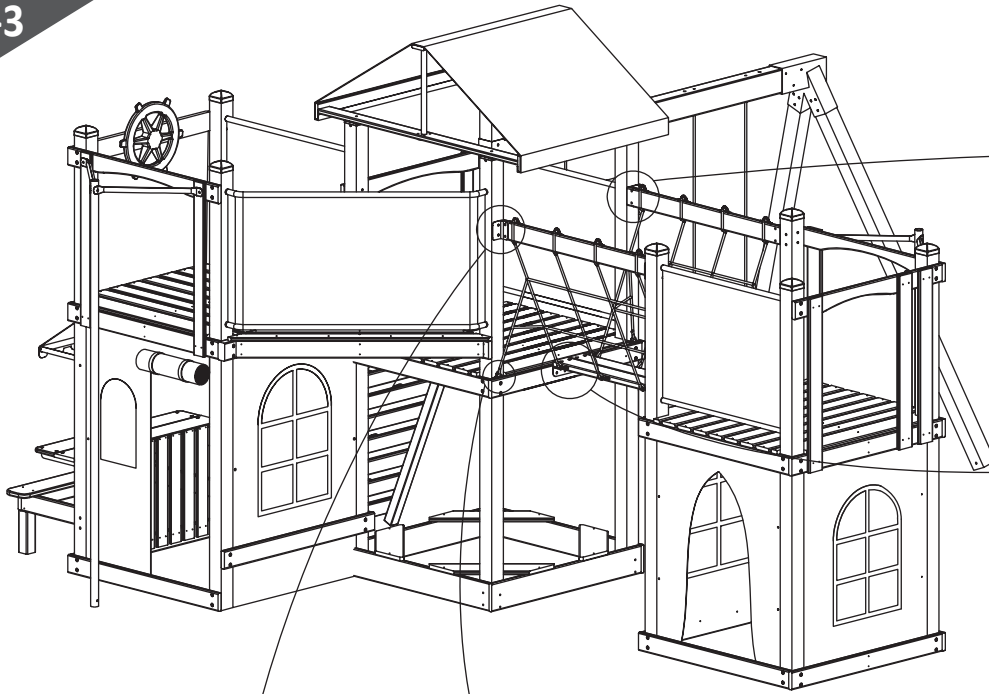
# MPS132B Windsor Multi Play Set+Extension



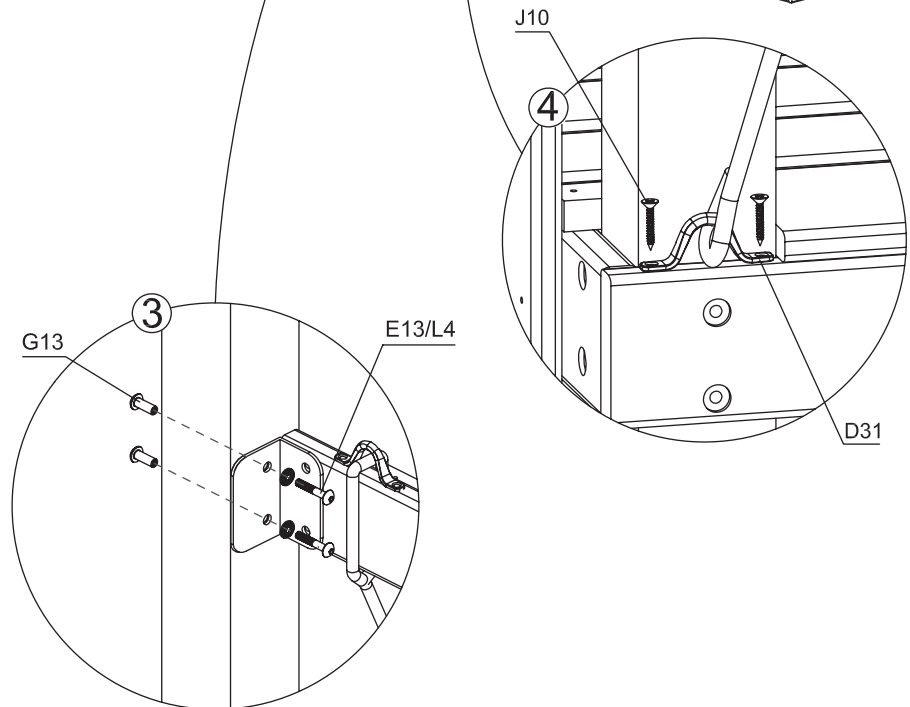
C-2



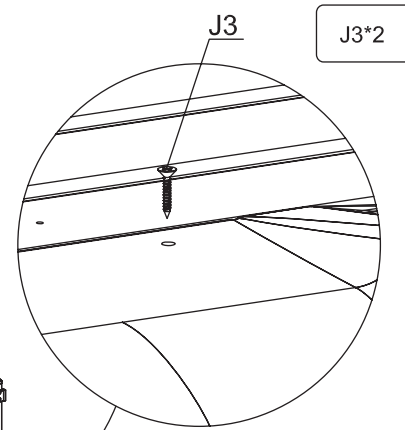
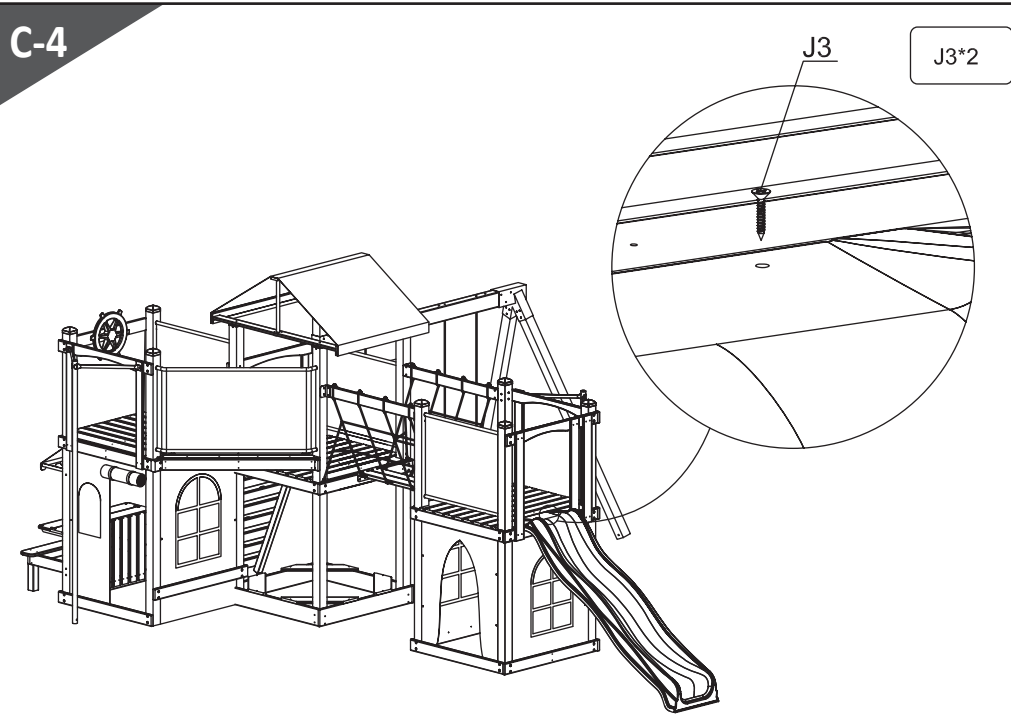
C-3



- D31\*2
- D66\*2
- E13\*3
- E54\*5
- G13\*7
- J10\*4
- L4\*8

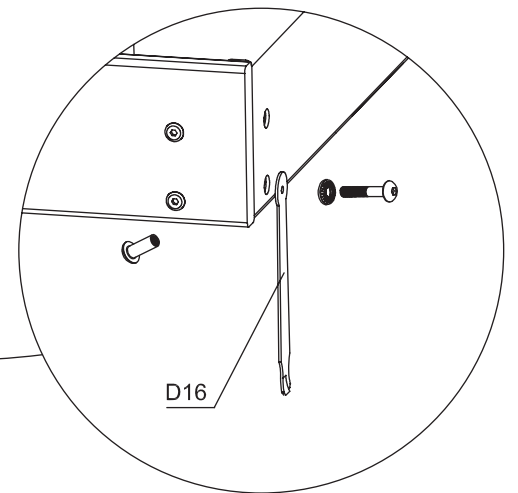
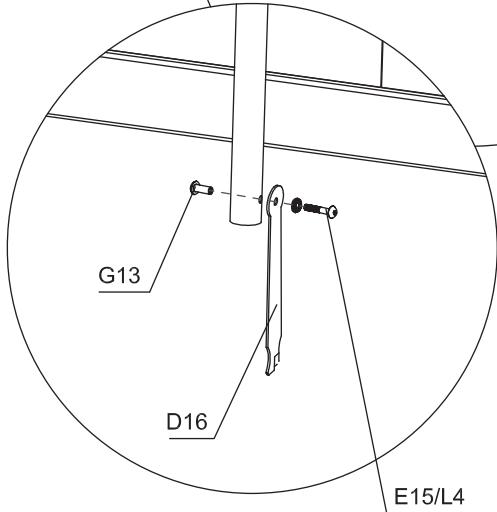
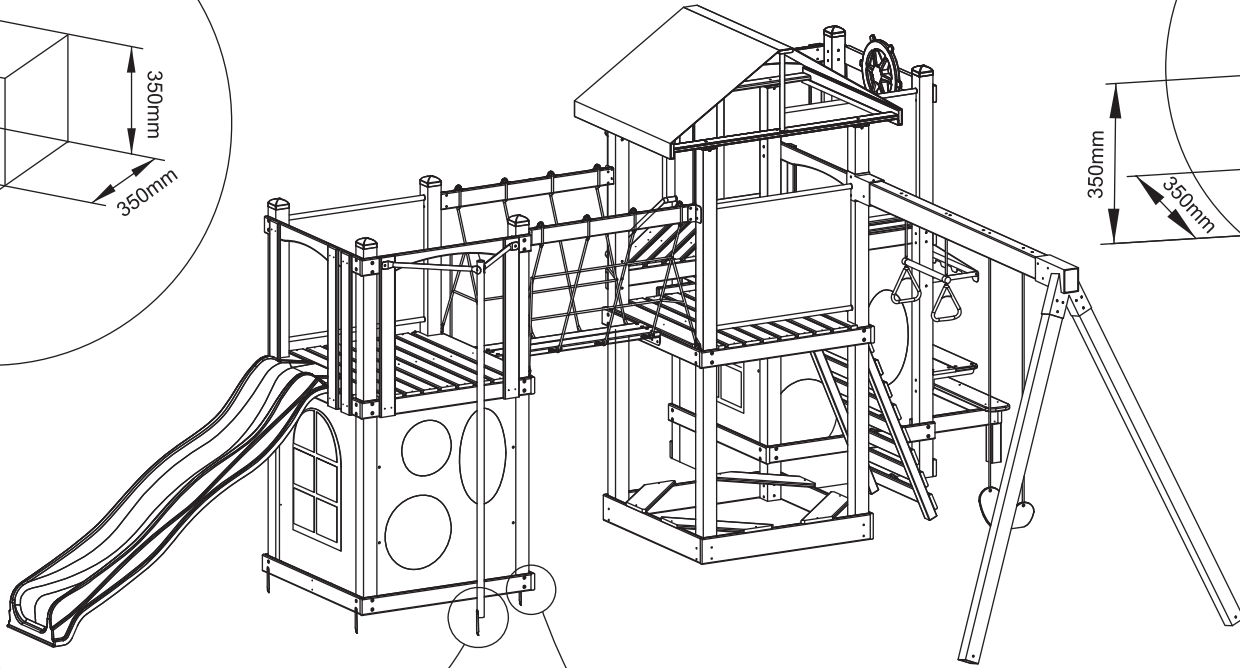
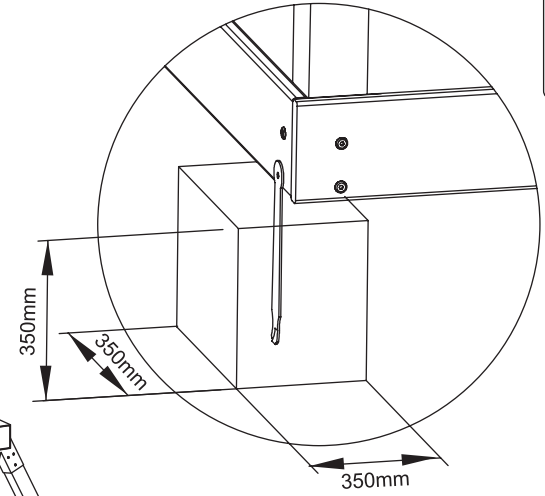
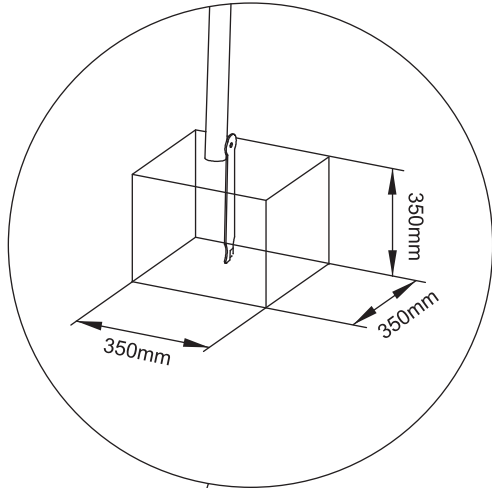


C-4



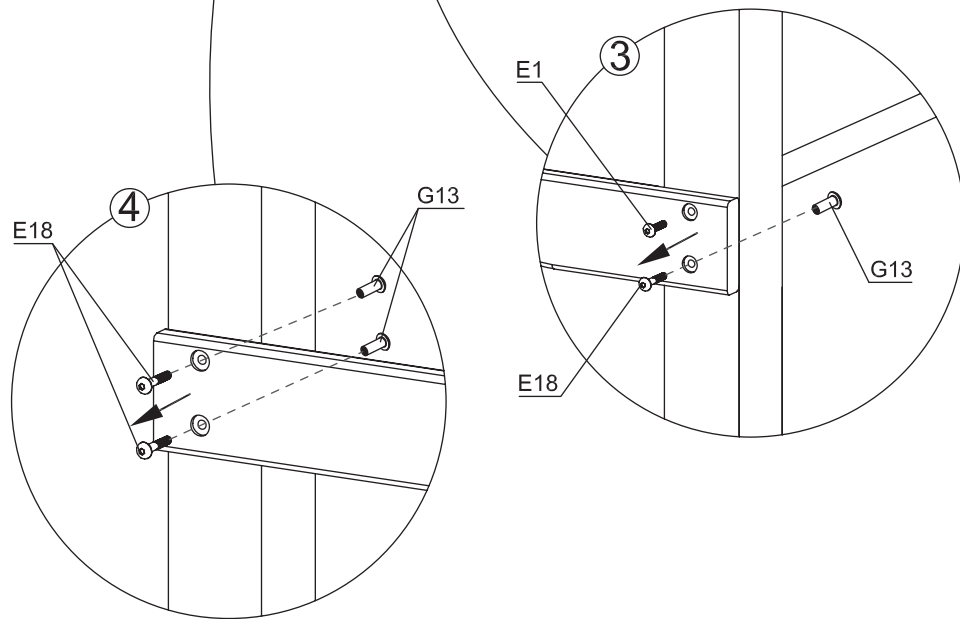
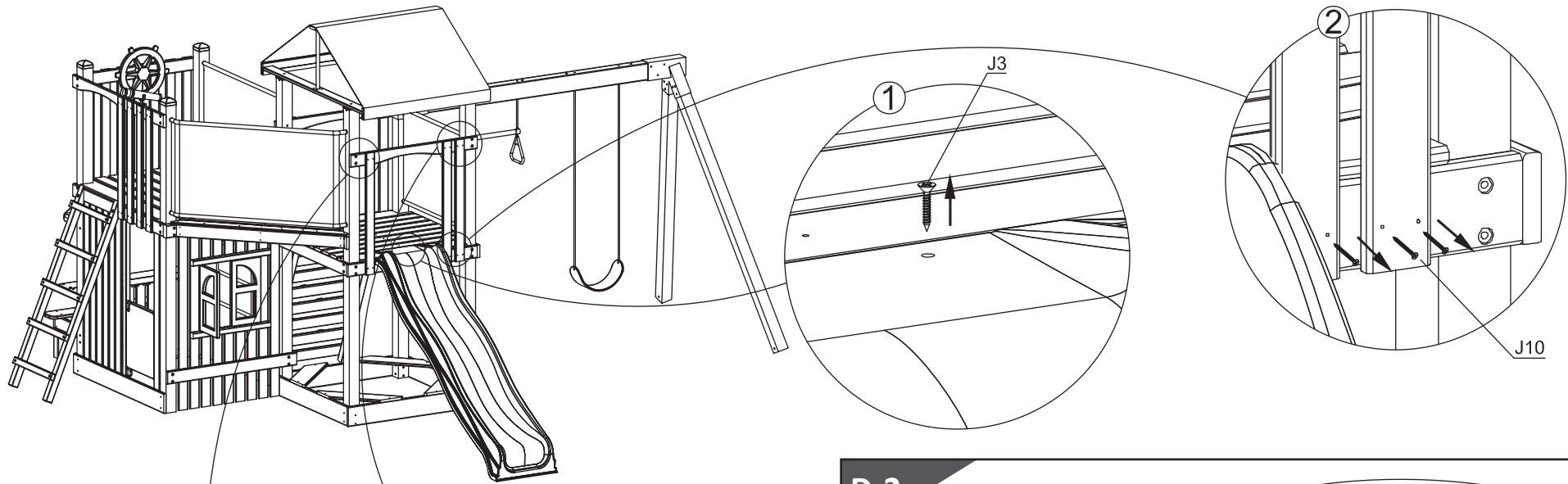
- J3\*2

- D16\*5
- E15\*1
- L4\*1
- G13\*1

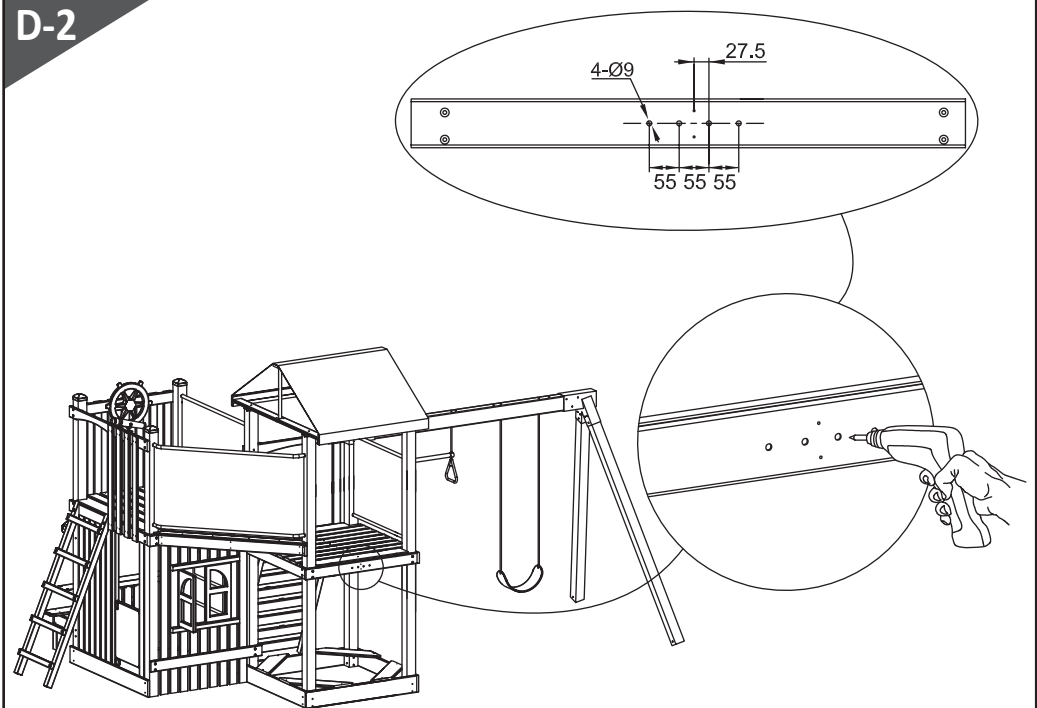


D-1

# MPS132 Ponderosa Multi Play Set+Extension

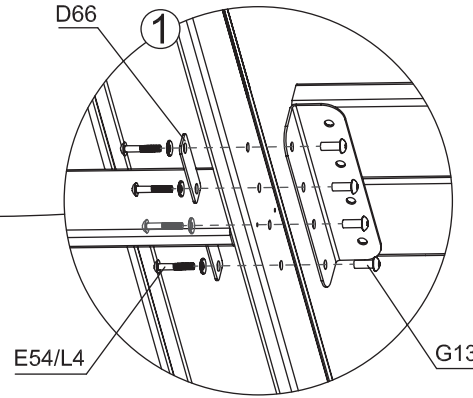
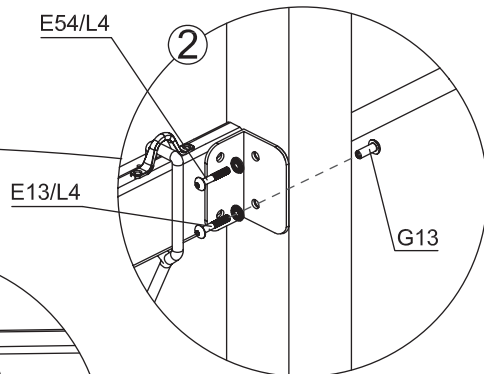
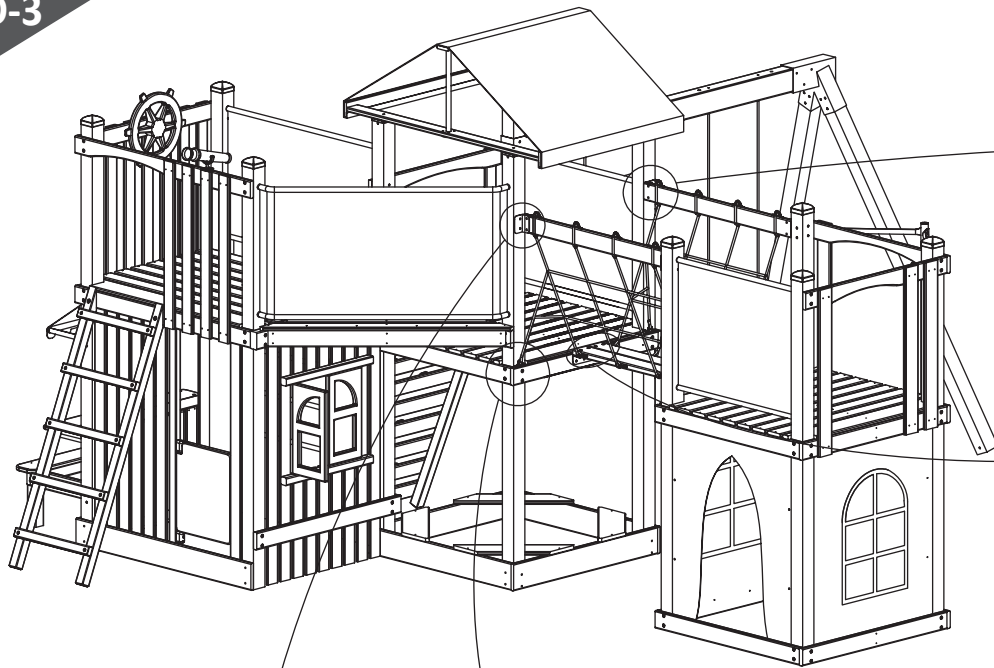


D-2

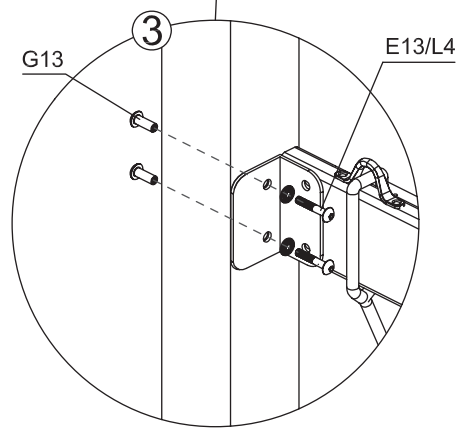
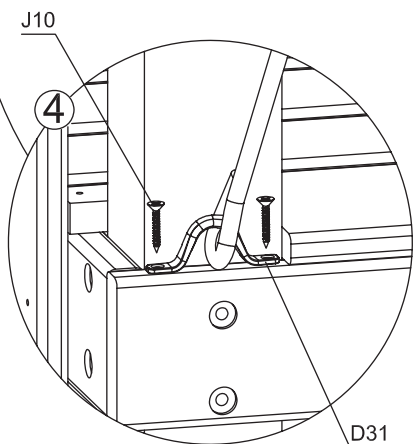




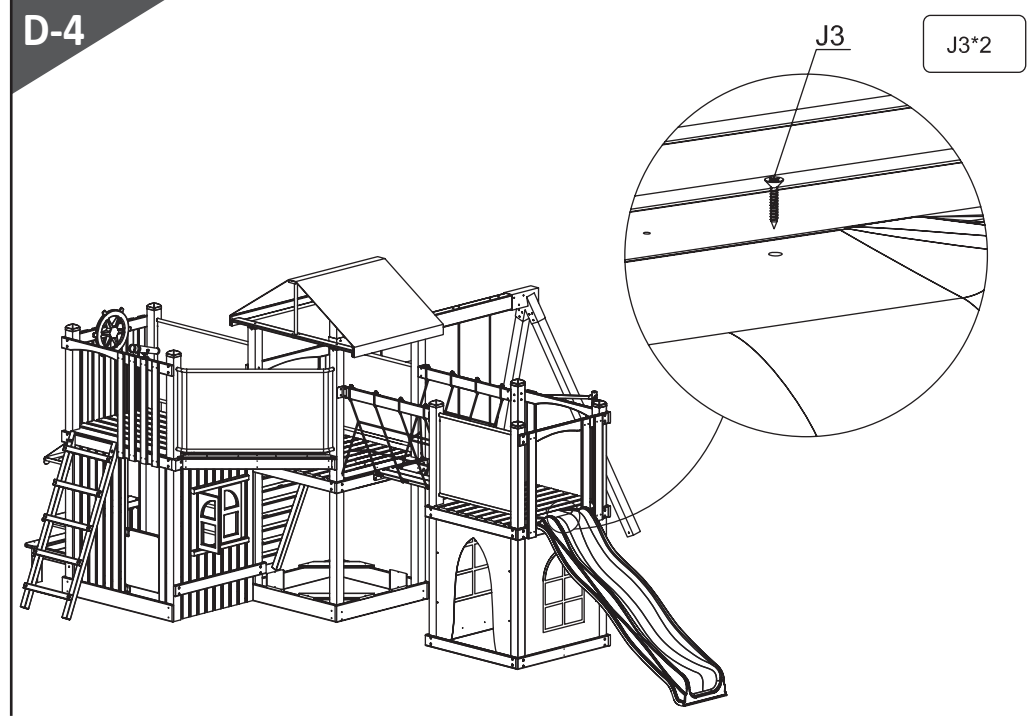
D-3



- D31\*2
- D66\*2
- E13\*3
- E54\*5
- G13\*7
- J10\*4
- L4\*8



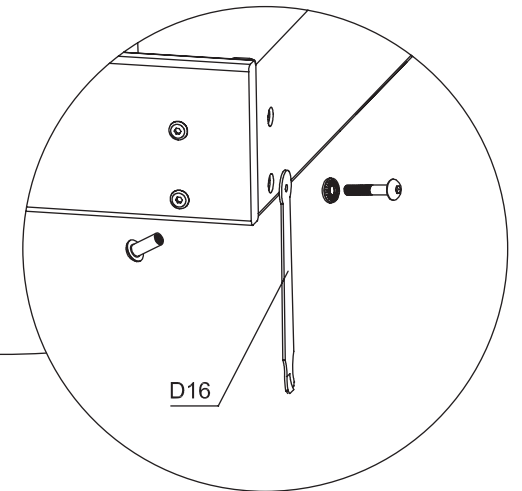
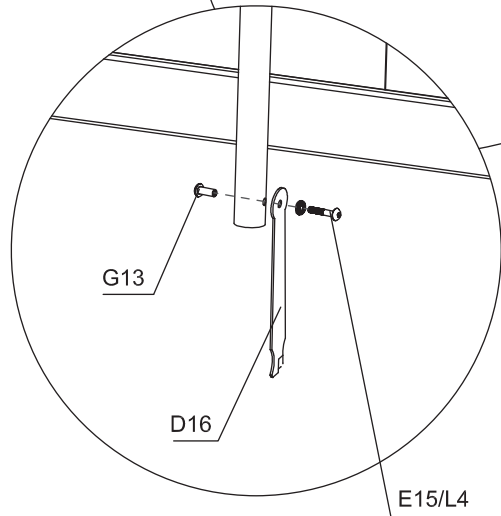
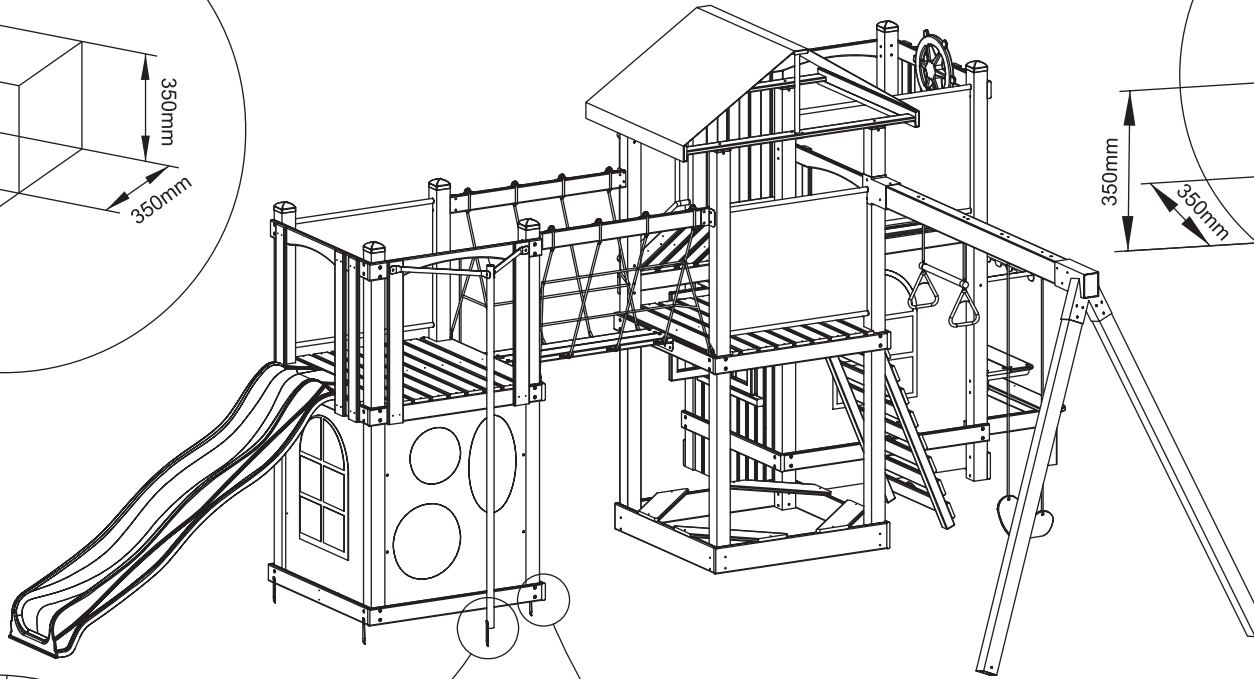
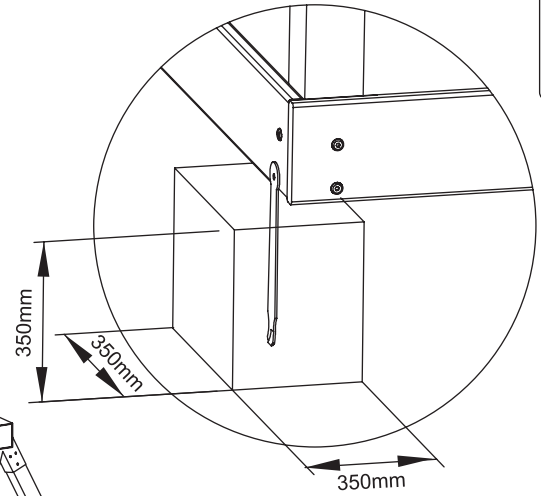
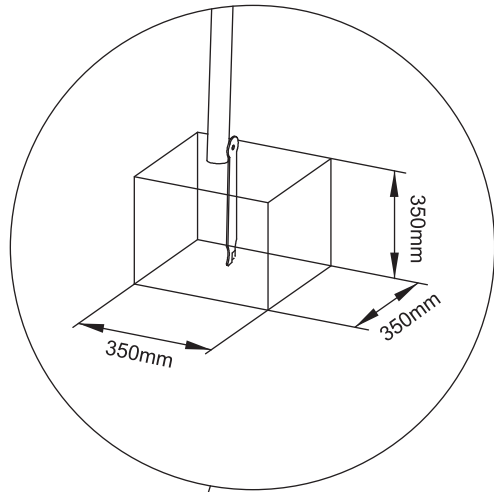
D-4



- J3\*2

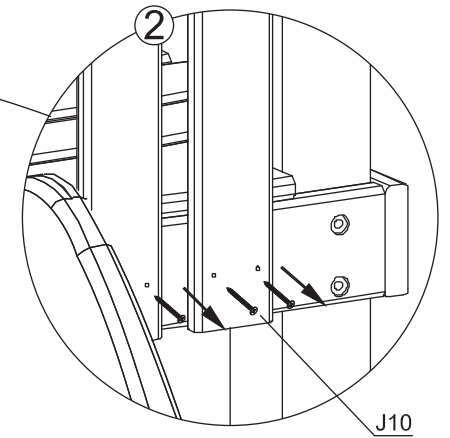
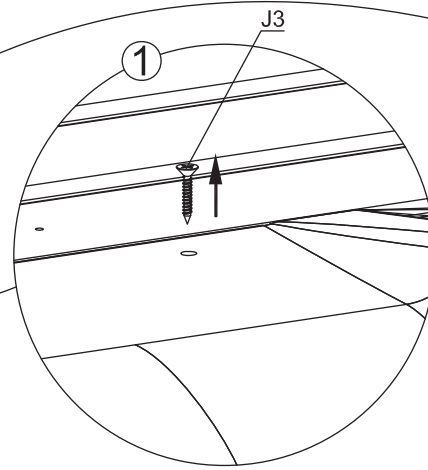
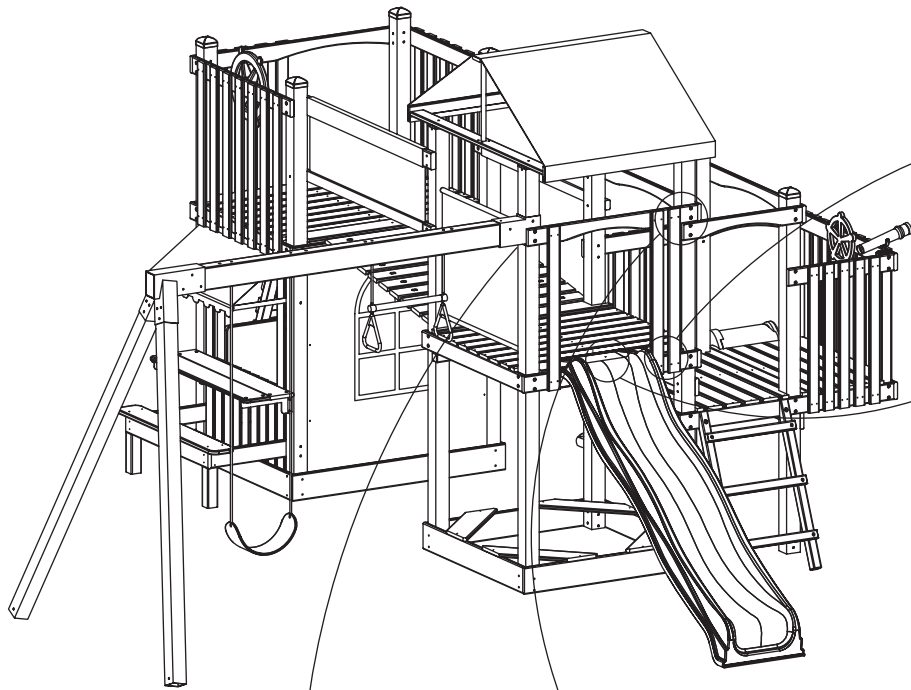


- D16\*5
- E15\*1
- L4\*1
- G13\*1

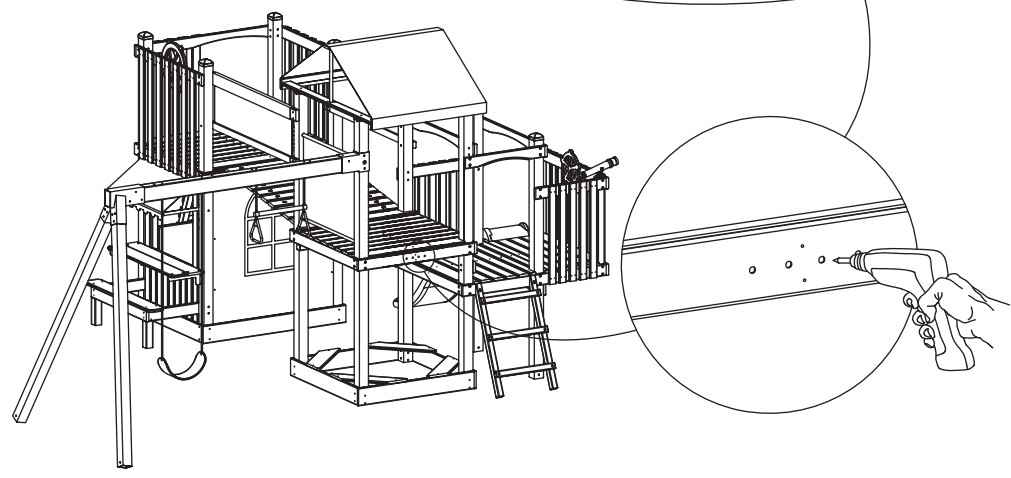
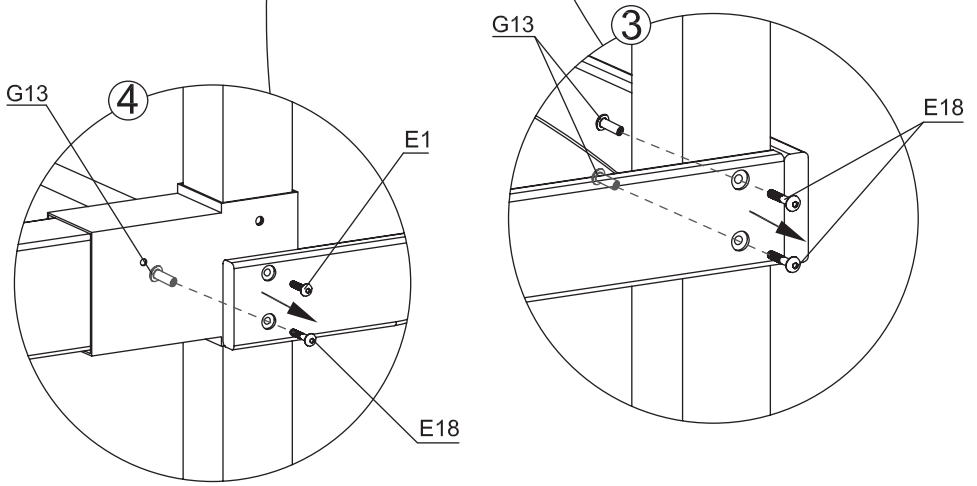
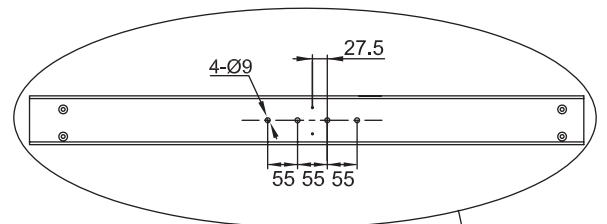


E-1

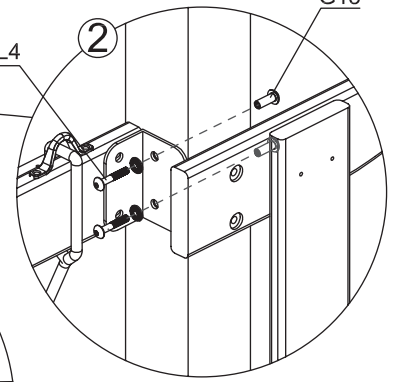
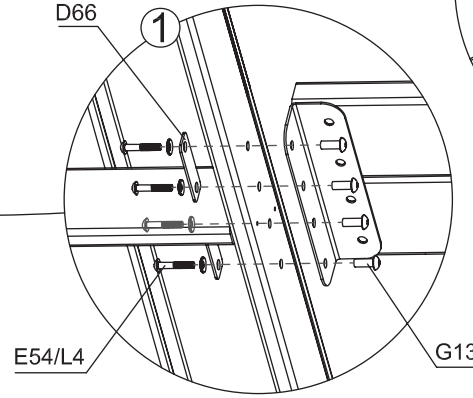
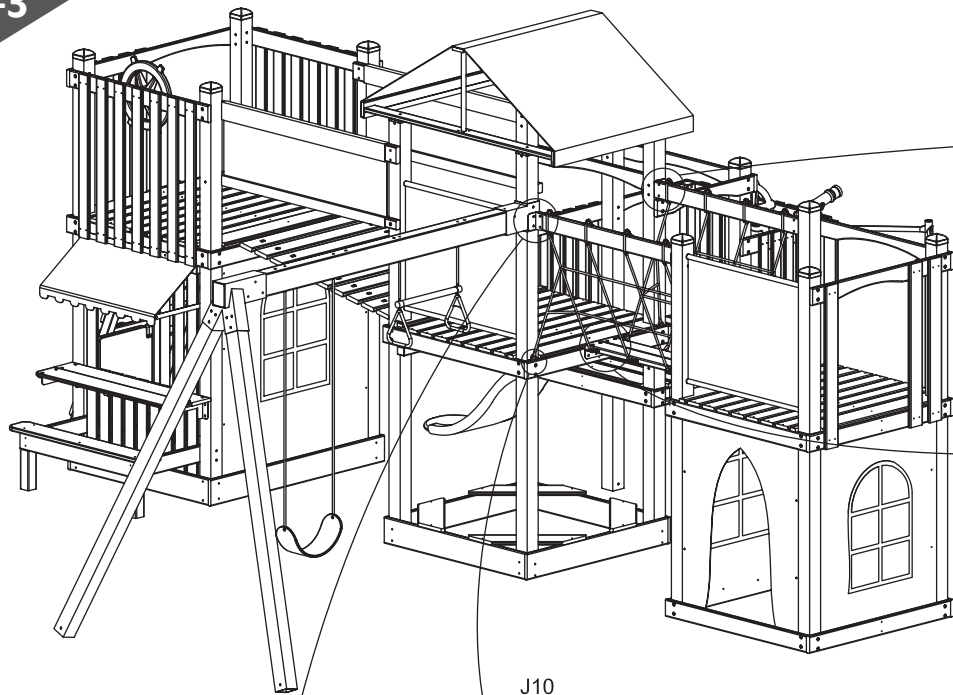
# MPS139 Empire Multi Play Set+Extension



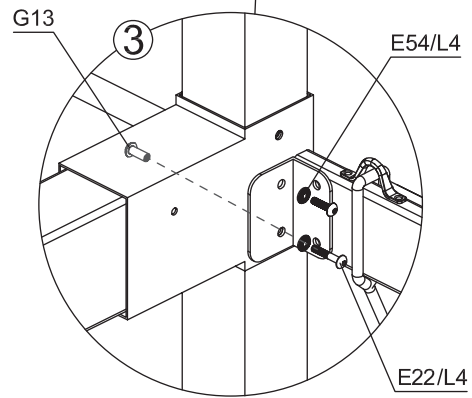
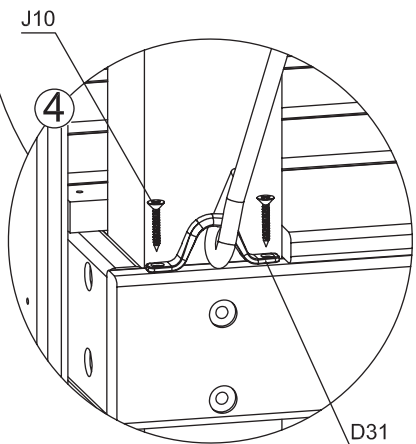
E-2



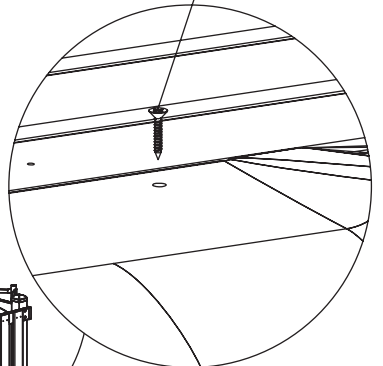
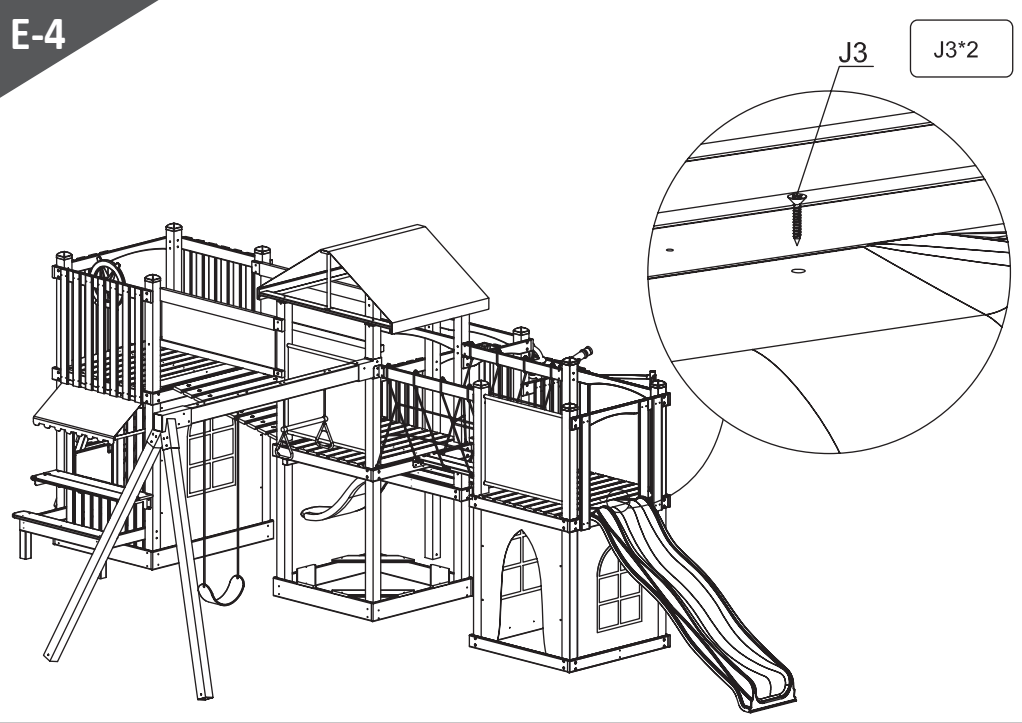
E-3



- D31\*2
- D66\*2
- E13\*2
- E22\*1
- E54\*5
- G13\*7
- J10\*4
- L4\*8



E-4



- D16\*5
- E15\*1
- L4\*1
- G13\*1

