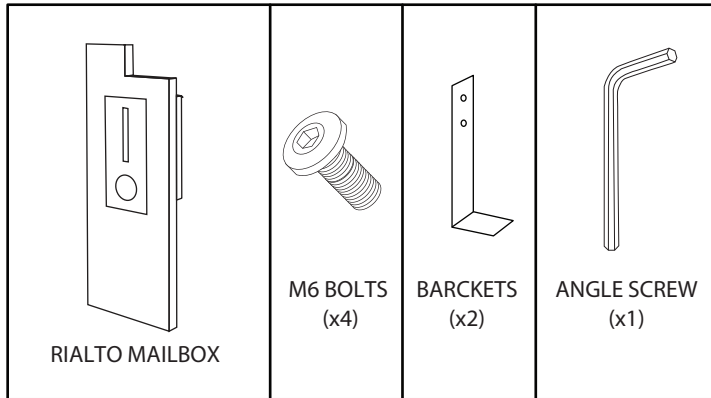


Sandleford Rialto

INCLUDED PARTS



INSTRUCTIONS

STEP 1

Attach mounting brackets to both sides of letterbox.

STEP 2

Dig 2x holes (roughly 30 cm deep x 20 cm wide). Locate these holes so when letterbox is in desired location, mounting brackets will sit in the middle of the holes.

STEP 3

Place letterbox in desired location.

STEP 4

Fill both holes with ready mix concrete. Monitor that the letterbox remains in desired position until concrete has fully set.

