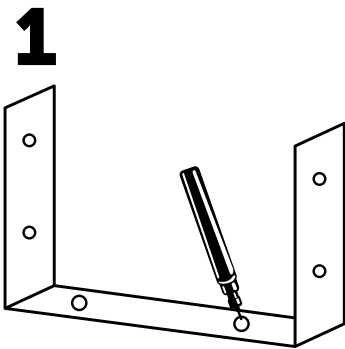
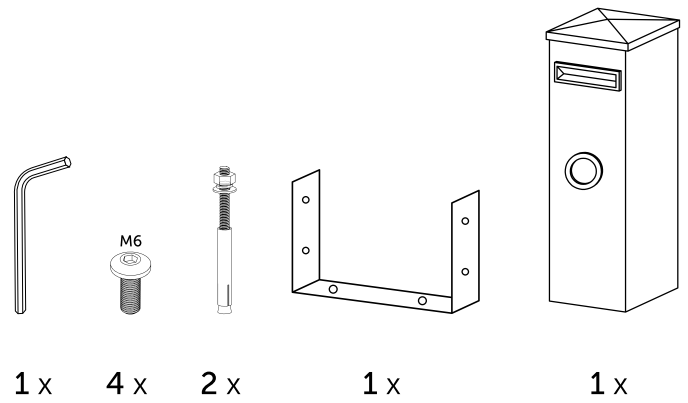


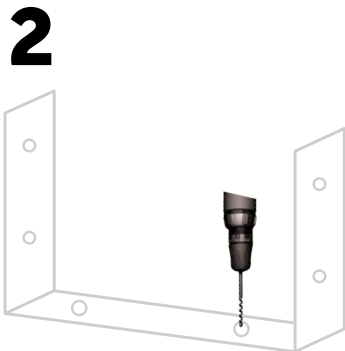
Sandleford

Shale

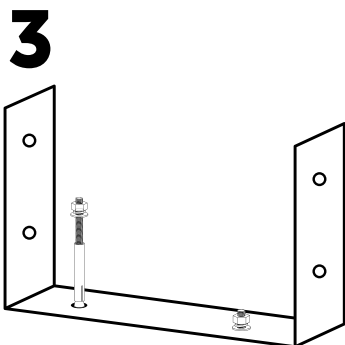


Place base frame in desired location. Make sure that it is level, to ensure mailbox will be straight.

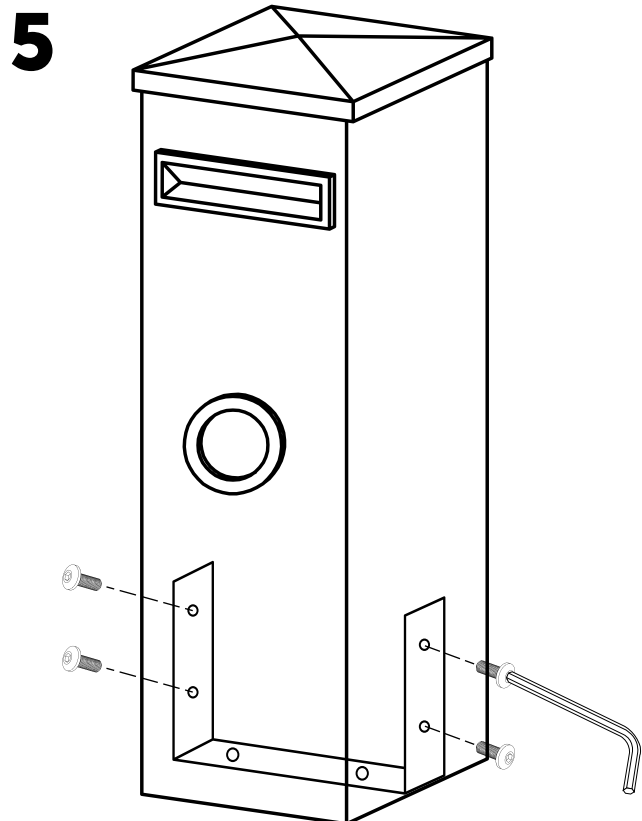
Using a pencil mark out the 2 holes of the base frame onto the concrete.



Take base frame away and pre-drill holes using a 10 mm masonry drill bit.



Position base frame, insert the dynabolts into the 2 holes and secure by tightening.



Place letterbox body over frame. Attach using the bolts provided.