

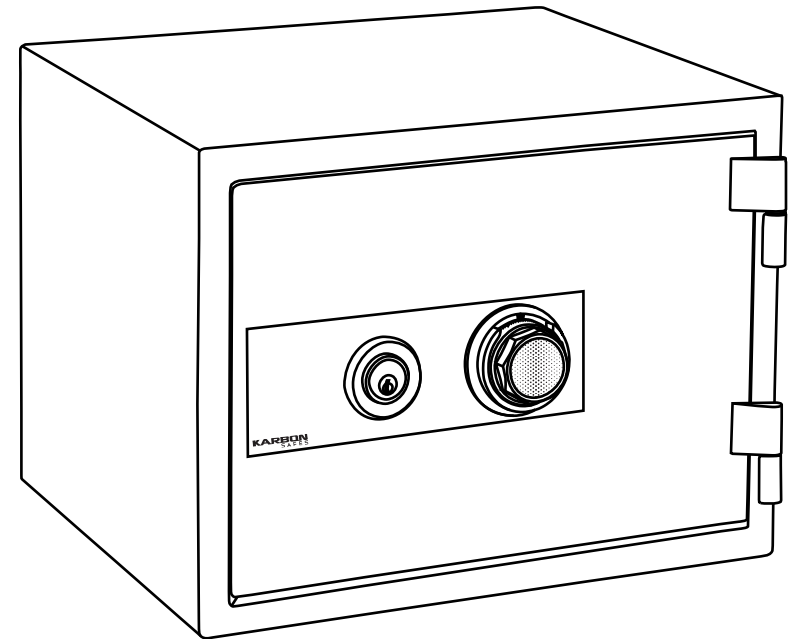
BRIGADE KEY/COMBINATION SAFE INSTRUCTIONS

Serial No.

Key No.

Combination Number

1st 4 times (R)
2nd 3 times (L)
3rd 2 times (R)
4th 1 time (L)



! *Do not store access keys or instructions
inside your safe!*

USING YOUR SAFE

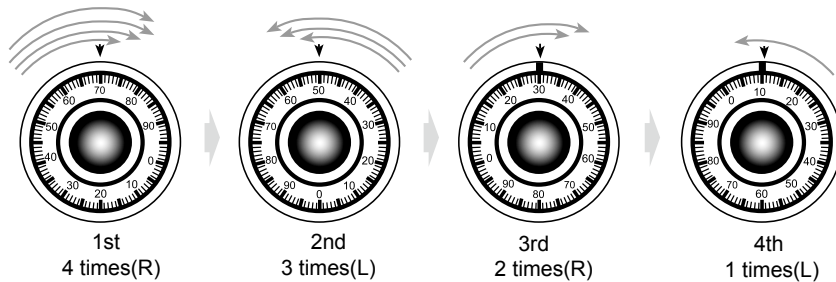
Open Safe

All numbers must be dialed exactly. If you pass a number, you can not back up. You must start over. All numbers are to be dialed to the Top Notch located on the top of the dial ring (the 12 o'clock position).

This safe comes programmed with a 4 wheel combination.

1. Turn the dial clockwise passing the first combination number three times, landing on the number the fourth time.
2. Now turn the dial counterclockwise, passing the second combination number twice, landing on the number the third time around.
3. Now turn the dial clockwise, passing the third combination number once, landing on the number the second time around.
4. Turn the dial anticlockwise until you reach the fourth combination number.
5. Place the key in the key slot and turn until it stops.
6. Pull the door open using the key.

Example: If the dial combination numbers were 70 - 50 - 30 - 10



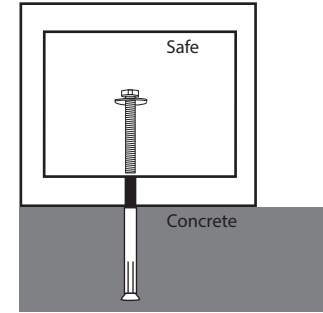
Lock Safe

1. Close the door.
2. Remove the key after returning it to its original position.
3. Turn the dial either direction a few rounds.

INSTALLING YOUR SAFE

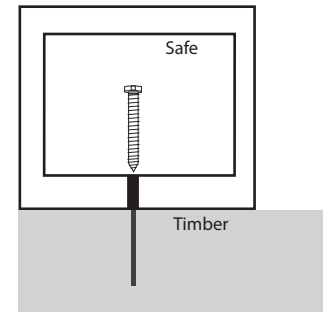
For installation into concrete surfaces use masonry bolts provided.

1. Install your safe in a location that is secure and sturdy.
2. Drill hole for masonry bolt in the desired location.
3. Insert the masonry bolt through the holes in the safe and into the concrete.
4. Tighten masonry bolt using the allen key provided.



For installation into timber surfaces use coach screws provided.

1. Install your safe in a location that is secure and sturdy.
2. Pre-drill hole in the desired location.
3. Insert the coach screw through the holes in the safe and into the timber.
4. Tighten coach screw using a socket or spanner.



All safes should be bolted down to ensure the best possible security.

OTHER NOTES

- If you wish to clean your safe, use a damp cloth. Do not use liquid or sprayers.
- Never try to dismantle the product by yourself.
- Safe must be installed in an upright position or the warranty shall be void.
- Keep this record of your key number and combination in a secure place, not inside the safe.

A safe is an aid only in reducing theft, it must form only a part of a range of security measures used. Sandleford Hardware (distributor of Karbon Safes) will not accept or be held responsible for any loss or damage caused in the event of theft or unauthorised use.