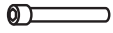




PLASTIC PET CARRIER INSTRUCTIONS

SIZE: Large (FFCC03)
MAXIMUM WEIGHT: 15kg

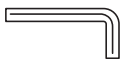
COMPONENTS



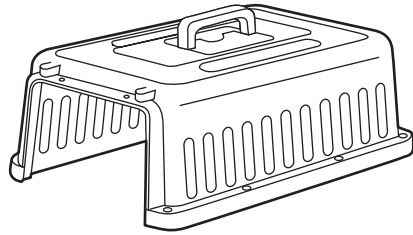
E x11



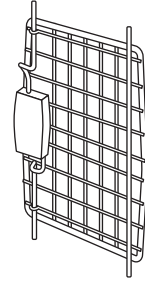
F x11



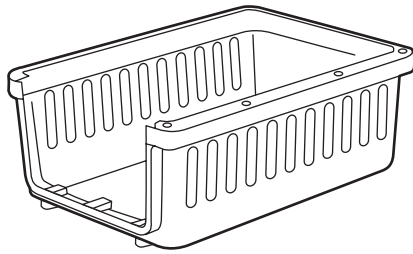
G



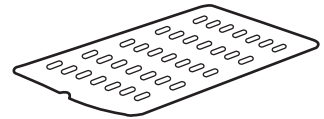
A



C



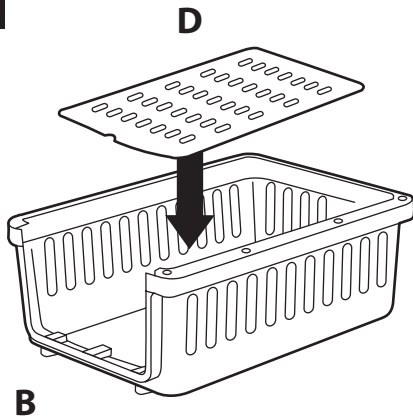
B



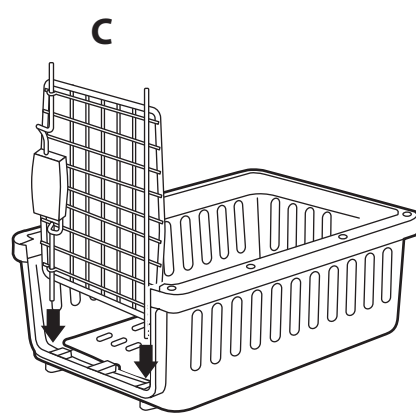
D

PROCEDURE

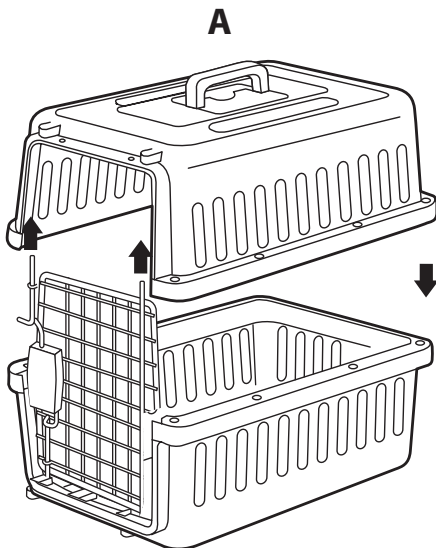
1



2



3



4

