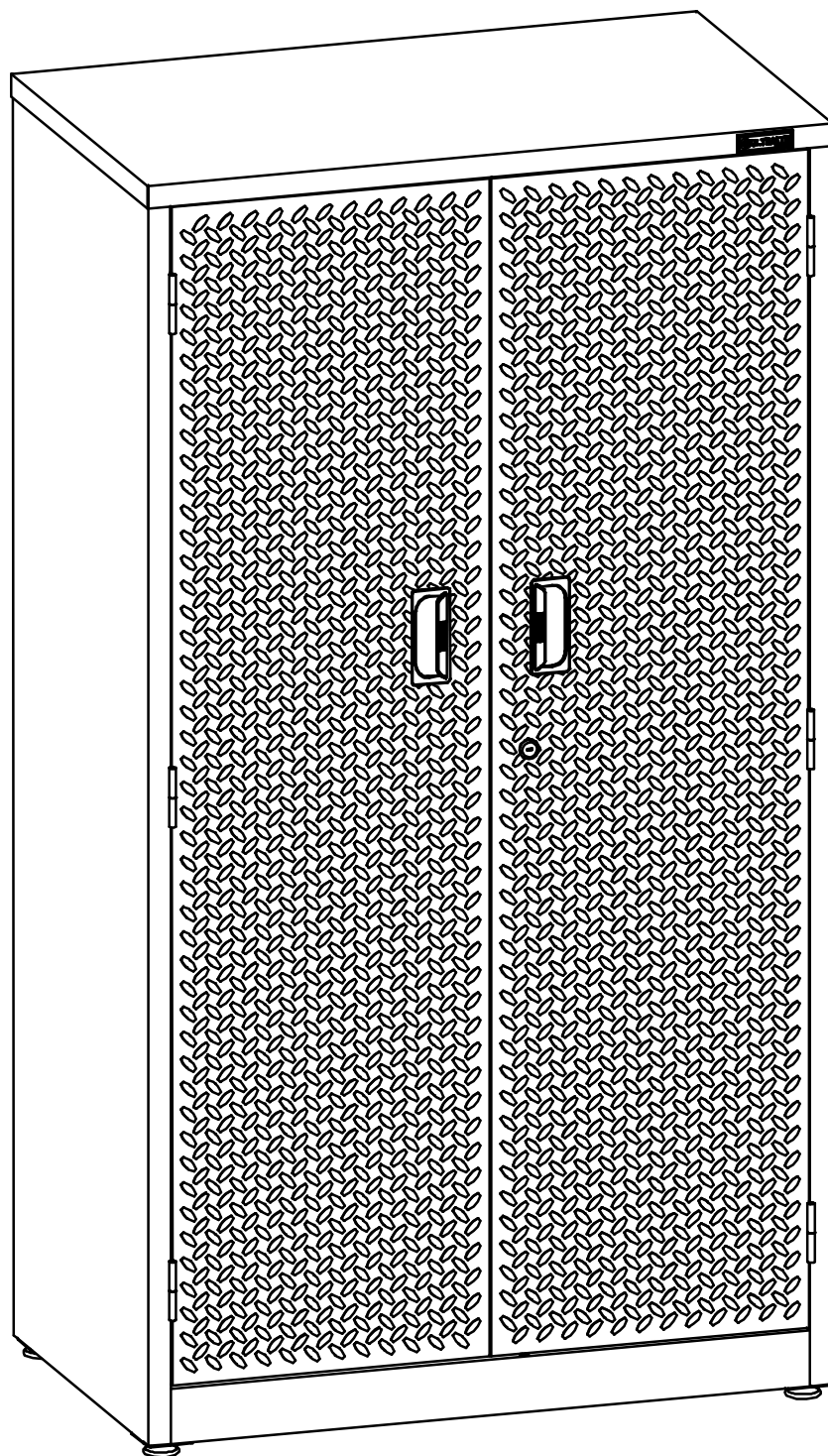
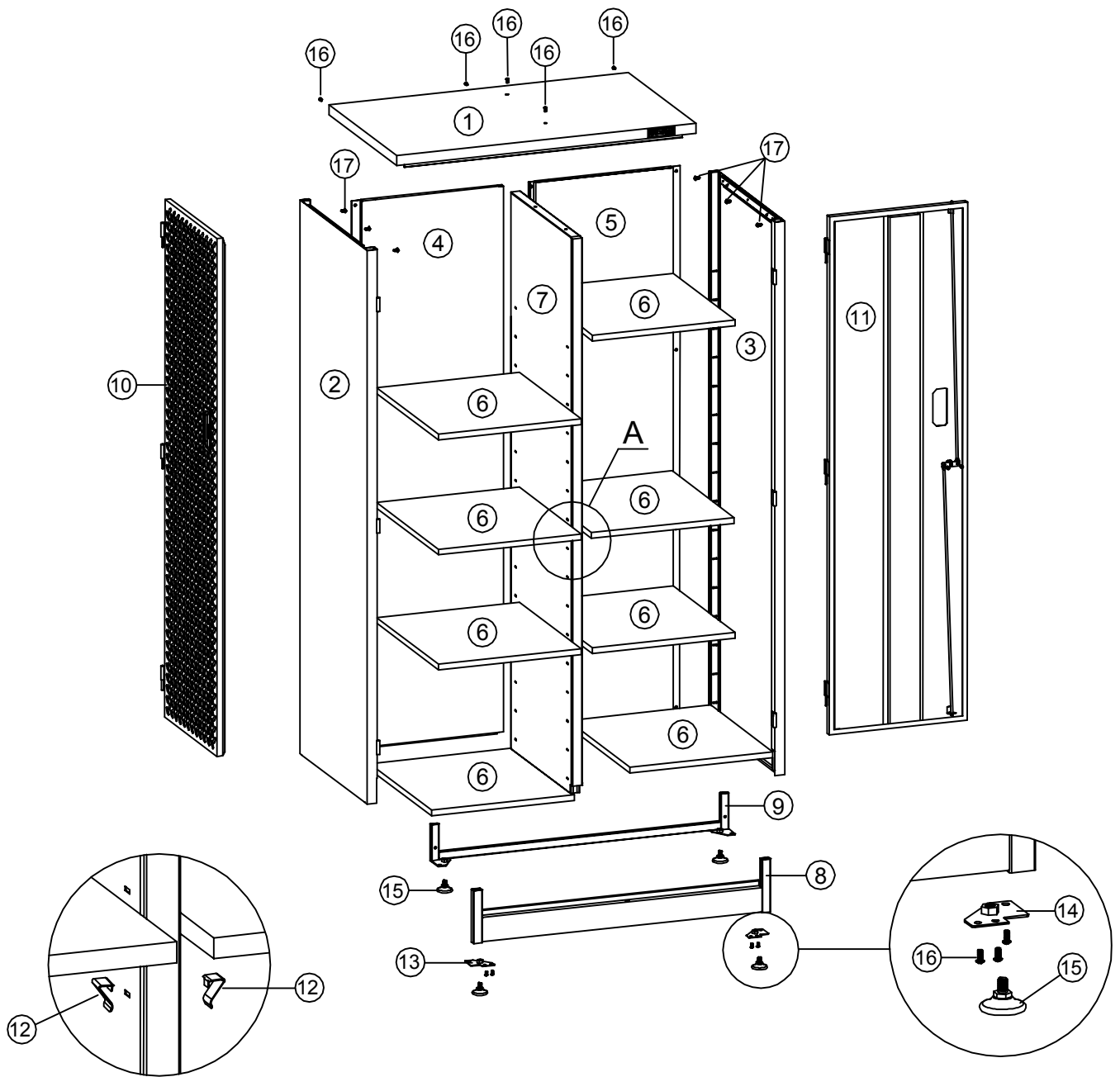


TALL STORAGE CABINET USC10



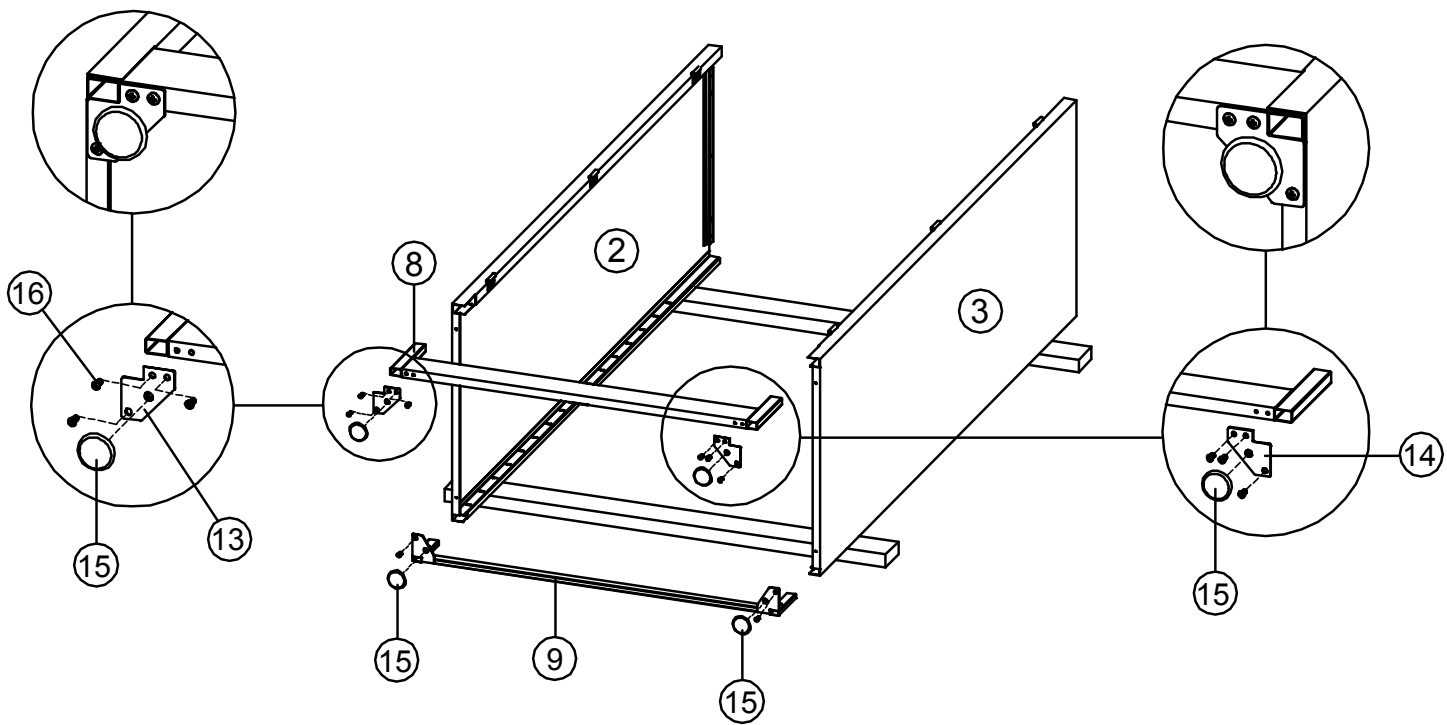
ULTIMATE
STORAGE



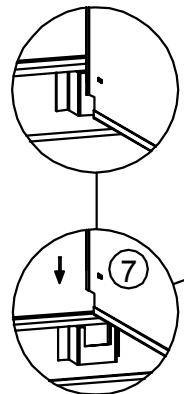
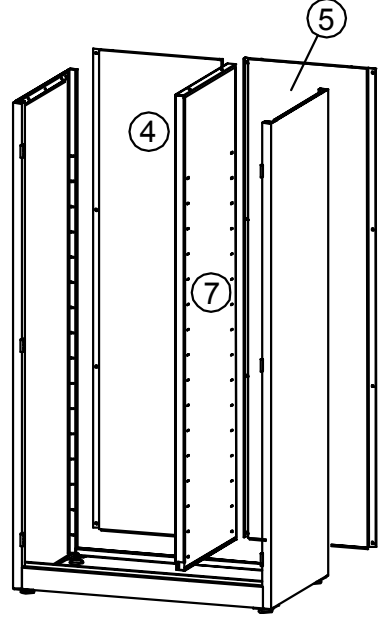
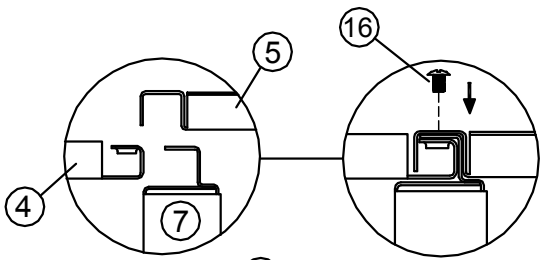
DETAIL A

NO	PART NAME	PCS
①	Top panel	1 PCS
②	Left side panel	1 PCS
③	Right side panel	1 PCS
④	Left back panel	1 PCS
⑤	Right back panel	1 PCS
⑥	Shelf	8 PCS
⑦	Middle panel	1 PCS
⑧	Front base bracket	1 PCS
⑨	Back base bracket	1 PCS

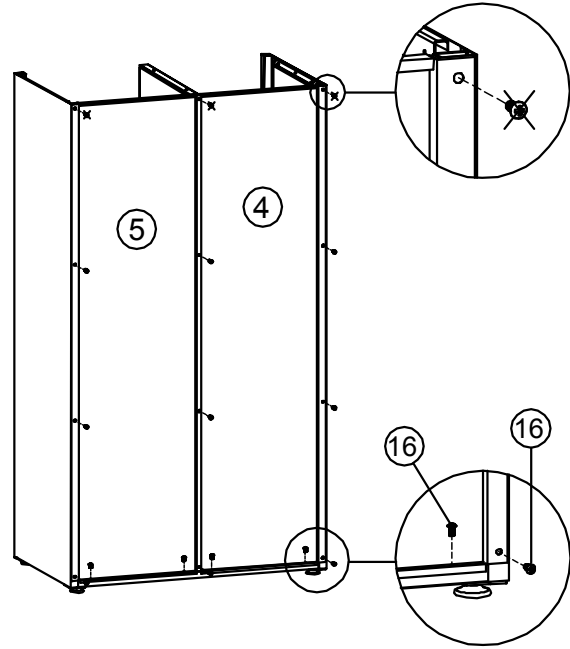
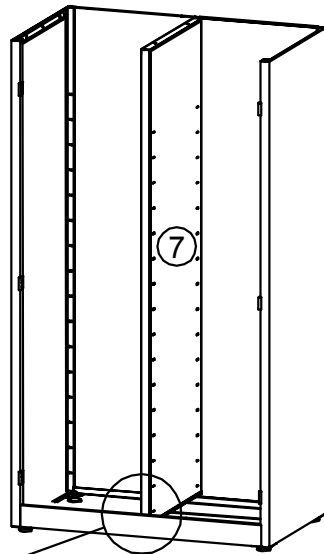
NO	PART NAME	PCS
⑩	Left door	1 PCS
⑪	Right door	1 PCS
⑫	Shelf support	34 PCS
⑬	Left Joiner	1 PCS
⑭	Right Joiner	1 PCS
⑮	Adjustable glide feet	4 PCS
⑯	M6x12mm Phillips head screw	28 PCS
⑰	#8x10mm Self tapping screw	6 PCS



Step 1.

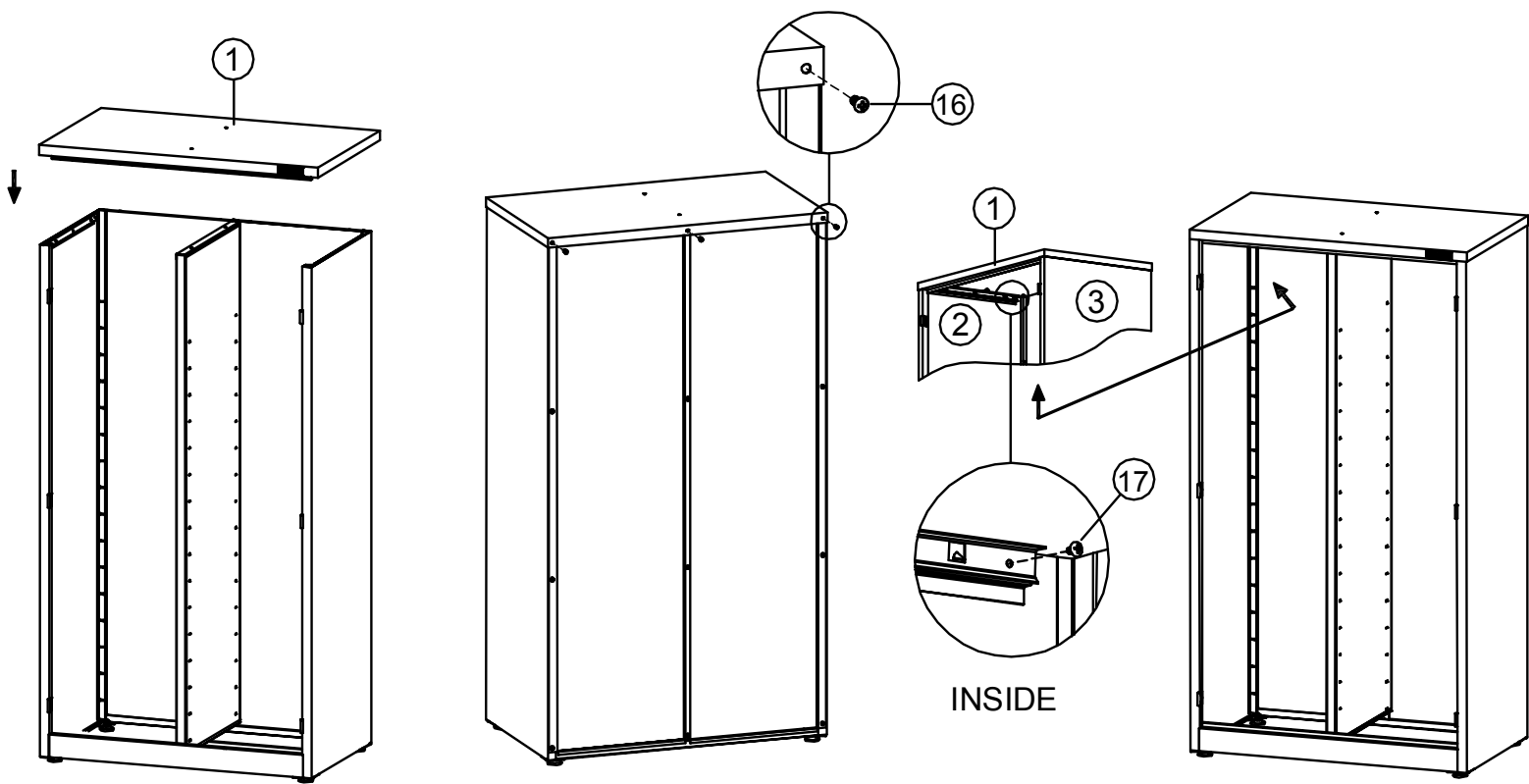


INSIDE



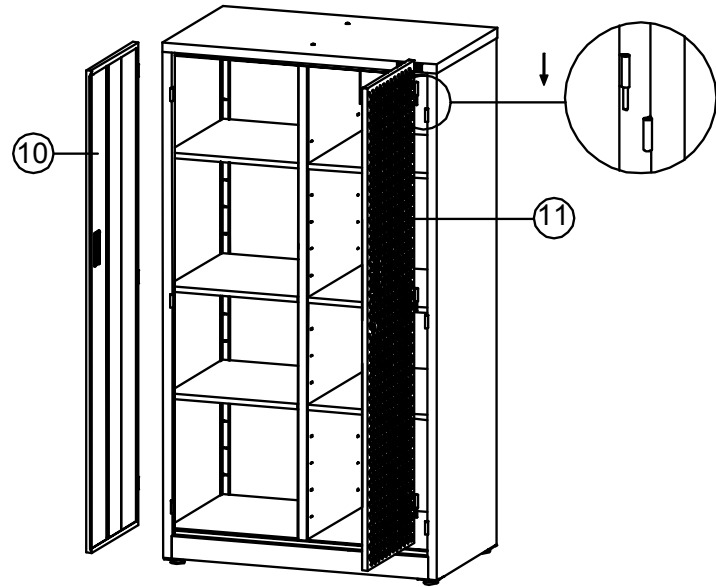
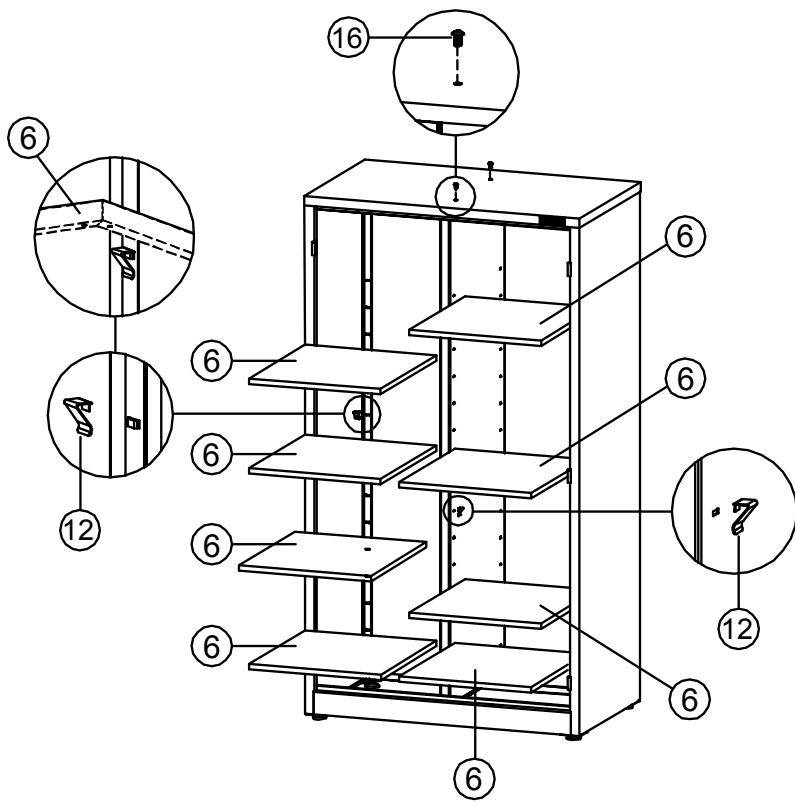
REAR VIEW

Step 2.



REAR VIEW

Step 3.



Step 4.

