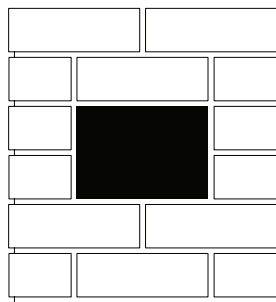
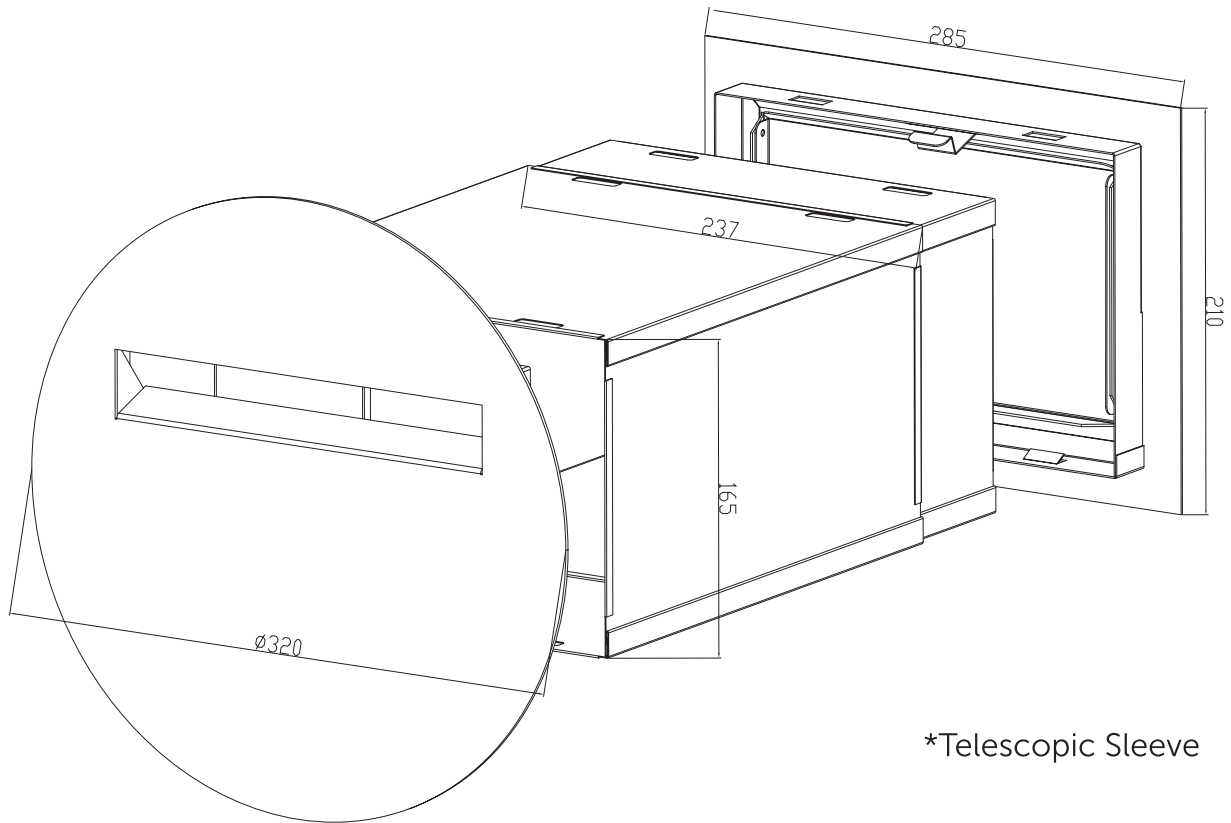


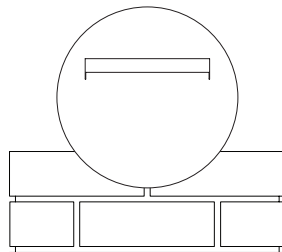
Halo

A4 Rear Opening Set

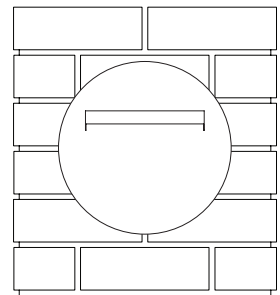
Instructions



**SLEEVE FITS INTO
1 BRICK WIDE BY
2 BRICK HIGH CAVITY**



**1. Build up brickwork to
desired height and set
letterbox in place**



**2. Complete remaining
brickwork**