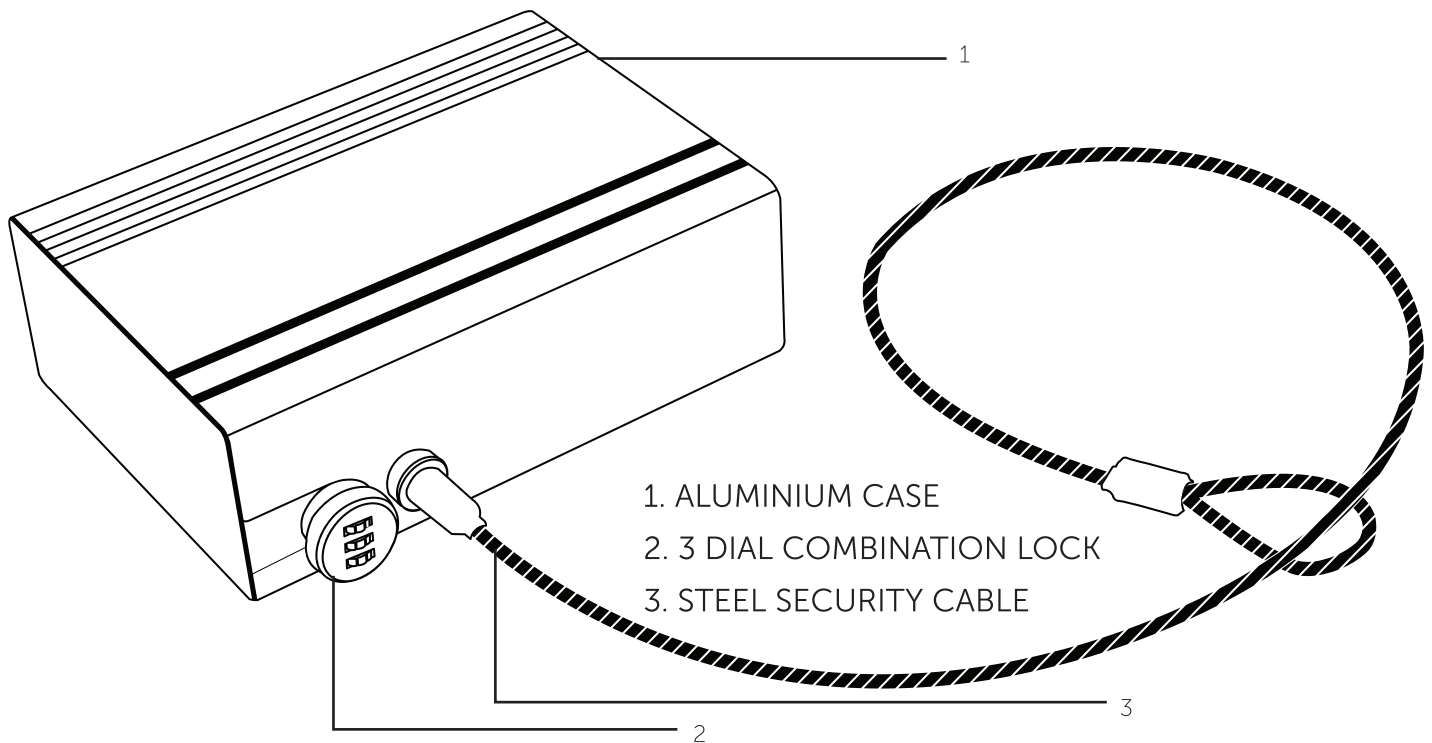


CAR SAFE INSTRUCTIONS



Setting your new code

1. To set your new code unlock the safe (Factory Code: 0-0-0)
2. There is a small hole containing a button located on the side of the combination lock
3. Use a hard object such as a paperclip to press the button
4. While pressing the button move the dials to select your new combination.
5. Release the button, your new code should now be set
6. To lock: Turn the combination lock to the locked position and mix up the numbers.
7. To unlock: Enter your combination using the dials and turn the combination lock

- If you wish to clean your safe, use a damp cloth. Do not use liquid or sprayers.
- Never try to dismantle the product by yourself.

!! Do not store access keys inside your safe !!