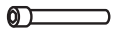




# PLASTIC PET CARRIER INSTRUCTIONS

SIZE: Medium (FFCC02)  
MAXIMUM WEIGHT: 10kg

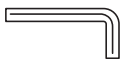
## COMPONENTS



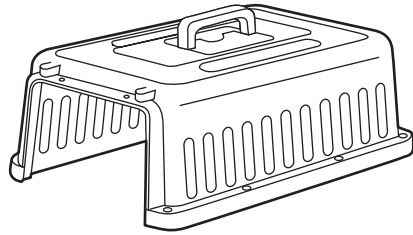
**E** x9



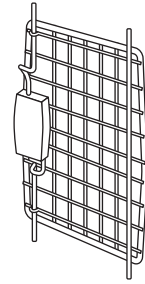
**F** x9



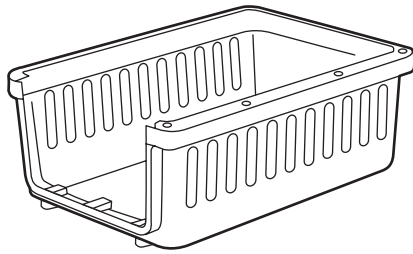
**G**



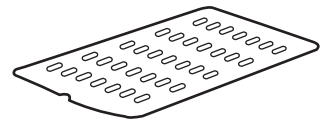
**A**



**C**



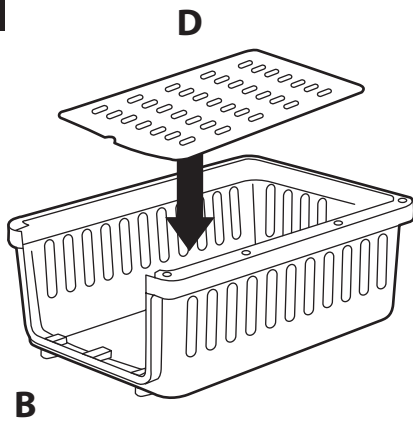
**B**



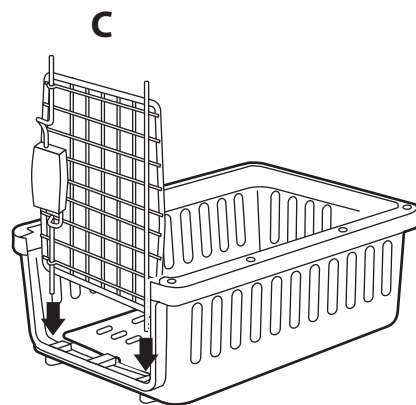
**D**

## PROCEDURE

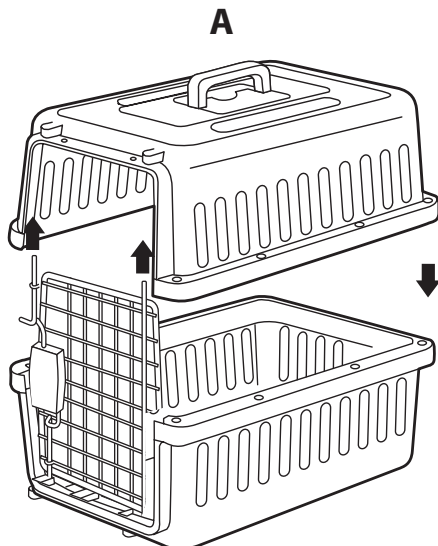
**1**



**2**



**3**



**4**

