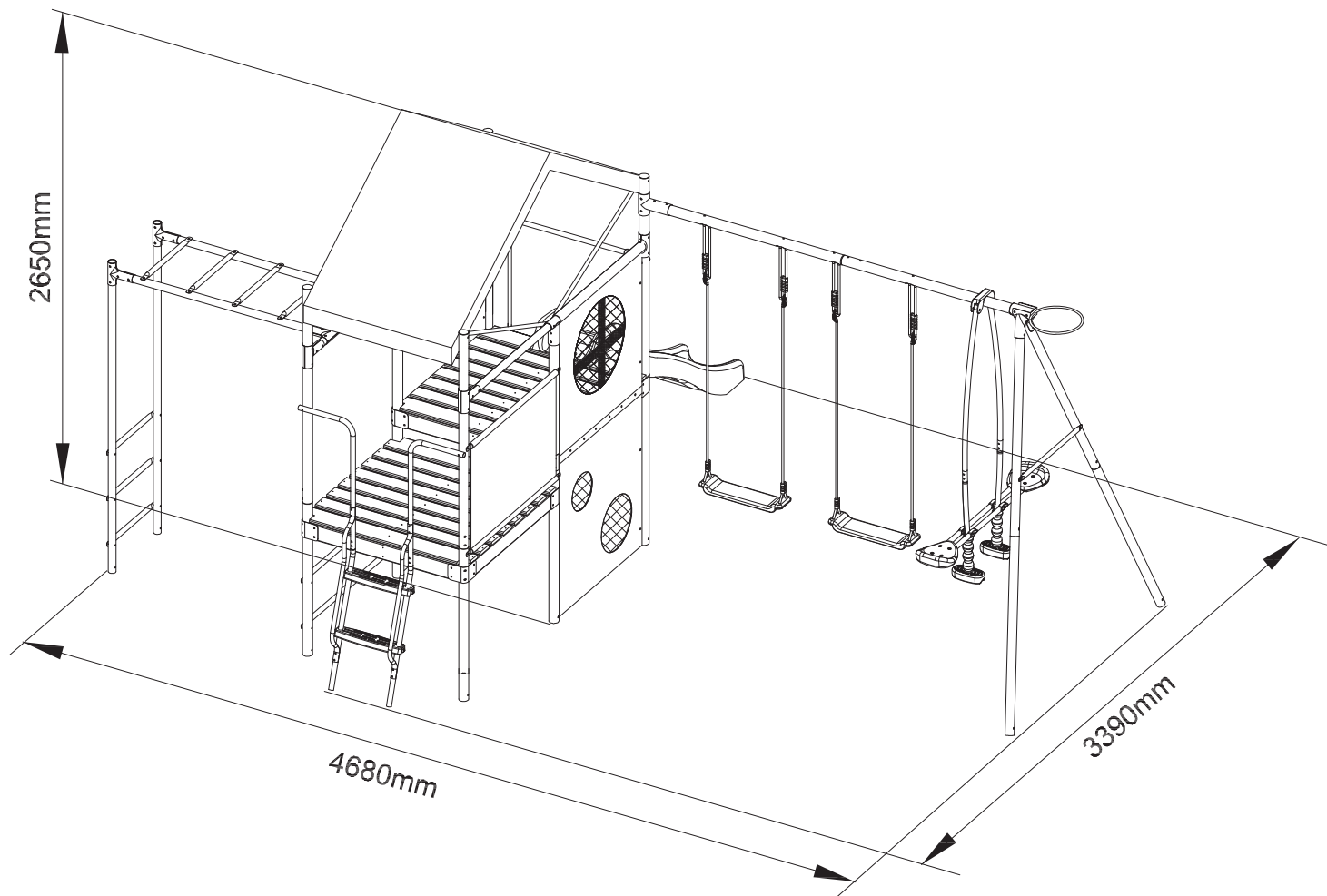


# Manor Multi Play Set

## MPS050

**WARNING: ONLY FOR DOMESTIC OUTDOOR USE.**

THIS PLAYSET SATISFIES ALL THE REQUIREMENTS OF THE AUSTRALIAN STANDARD AS/NZS ISO 8124 AND HAS BEEN CERTIFIED BY AN INDEPENDENT LABORATORY. TO GUARANTEE SAFETY, PLEASE GIVE SPECIAL ATTENTION TO THE ASSEMBLY, SAFETY, AND CARE INSTRUCTIONS DETAILED IN THIS DOCUMENT.

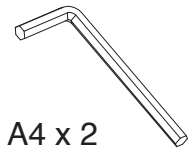


*Warning: Maximum fall height is 170 cm*

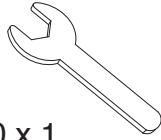


3-12  
Years

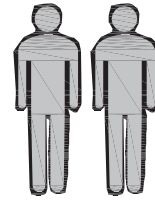




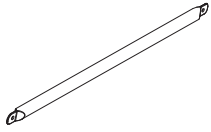
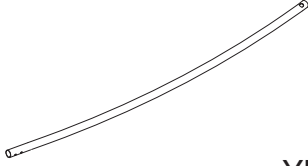
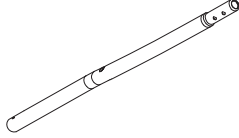
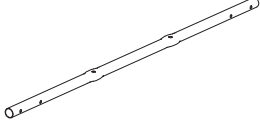
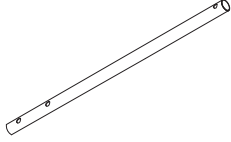
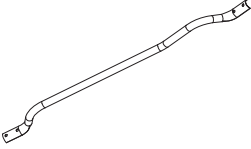
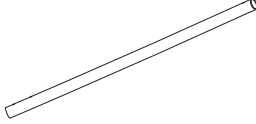
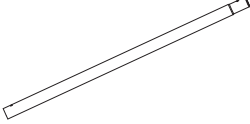
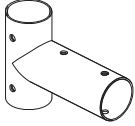
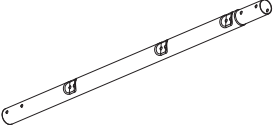
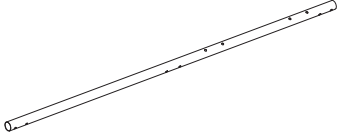
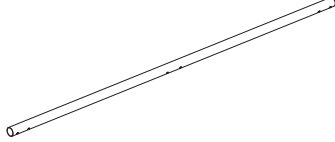
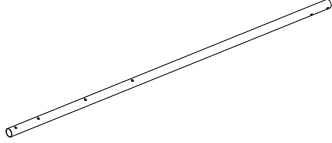
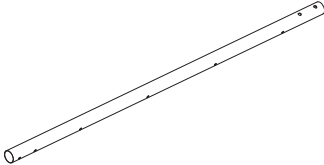
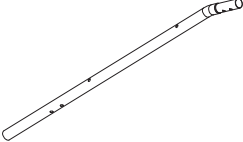
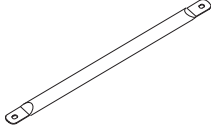
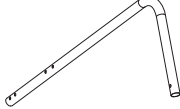
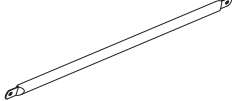
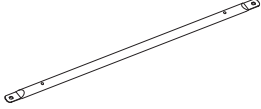
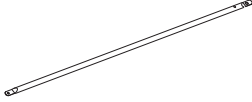
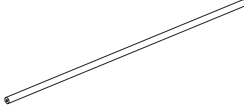
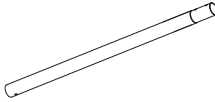
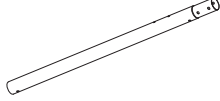
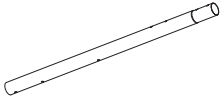
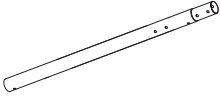
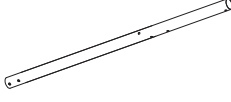
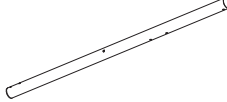
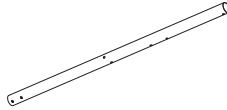
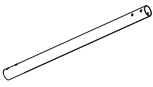
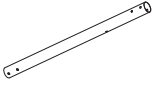
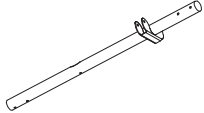
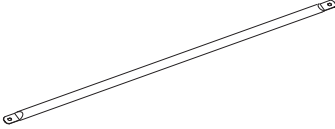
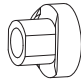
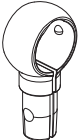
A4 x 2

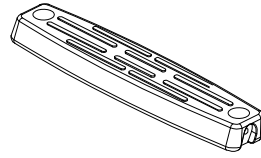
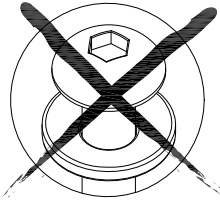
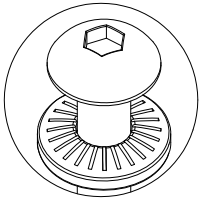


10 x 1



1.5H

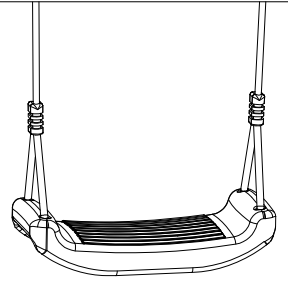
 YB5 x 1	 YB19 x 2		 YB20 x 2		 YB22 x 2	
 YB54 x 2	 YB92 x 2	 YB210 x 2		 YB211 x 2	 YB292 x 1	
 YB363 x 1	 YB364 x 1		 YB365 x 1		 YB366 x 2	
 YB367 x 2	 YB368 x 2	 YB369 x 7		 YB370 x 2	 YB371 x 4	
 YB372 x 1	 YB373 x 4	 YB375 x 2		 YB376 x 1	 YB377 x 1	
 YB379 x 1	 YB381 x 1	 YB382 x 1	 YB383 x 1	 YB384 x 1	 YB385 x 1	
 YB386 x 1	 YB387 x 1	 YB395 x 4			 YC3 x 8	 YC18 x 2



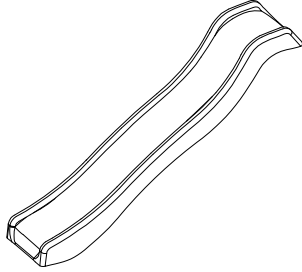
YC27 x 2



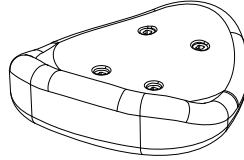
YC30 x 4



YC40 x 2



YC24 x 1



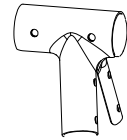
YC50 x 2



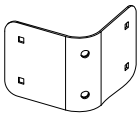
YC51 x 2



YC52 x 2



YD1 x 1



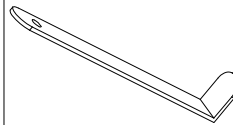
YD7 x 8



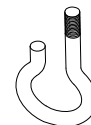
YD10 x 20



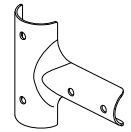
YD12 x 2



YD2 x 10



YD3 x 4



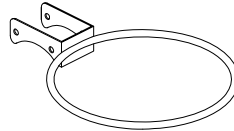
YD51 x 8



YD52 x 8



YD63 x 2



YD64 x 1



M6 x 35

YE1 x 32



M6 x 45

YE9 x 44



M6 x 40

YE12 x 12



M6 x 30

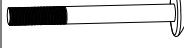
YE15 x 16



YE19 x 6



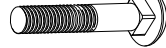
YE28 x 8



YE20 x 6



YE54 x 4



YF10 x 40



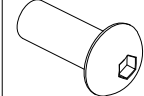
Ø6

YG1 x 2



Ø6 x 12/M6

YG4 x 2



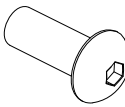
Ø8x12/M6

YG5 x 40

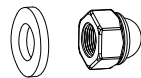


M6

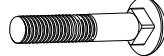
YG6 x 4



YG13 x 128



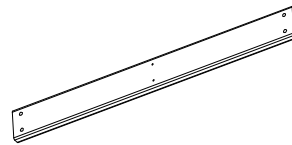
YG2 x 8



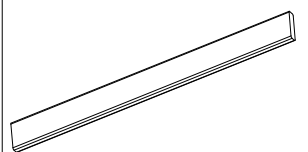
YF2 x 2



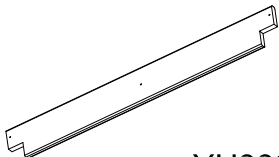
YE5 x 2



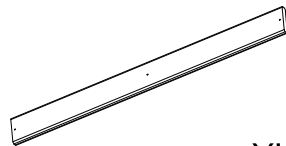
YH330 x 4



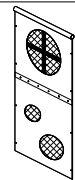
YH331 x 2



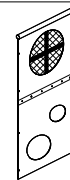
YH332 x 4



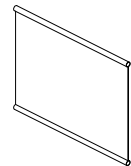
YH333 x 12



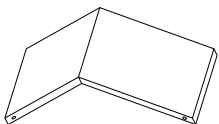
I47 x 1



I48 x 1



I49 x 1



I50 x 1



YL4 x 104

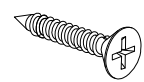


YL5 x 82



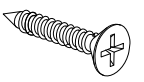
M4.5 x 40

YJ1 x 8



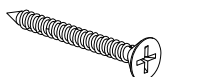
M5 x 25

YJ3 x 2



M4.5 x 25

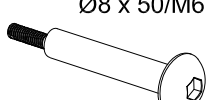
YJ8 x 12



YJ10 x 104

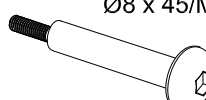


K2 x 16



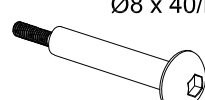
Ø8 x 50/M6

YN1 x 2



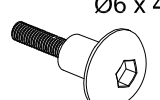
Ø8 x 45/M6

YN2 x 4



Ø8 x 40/M6

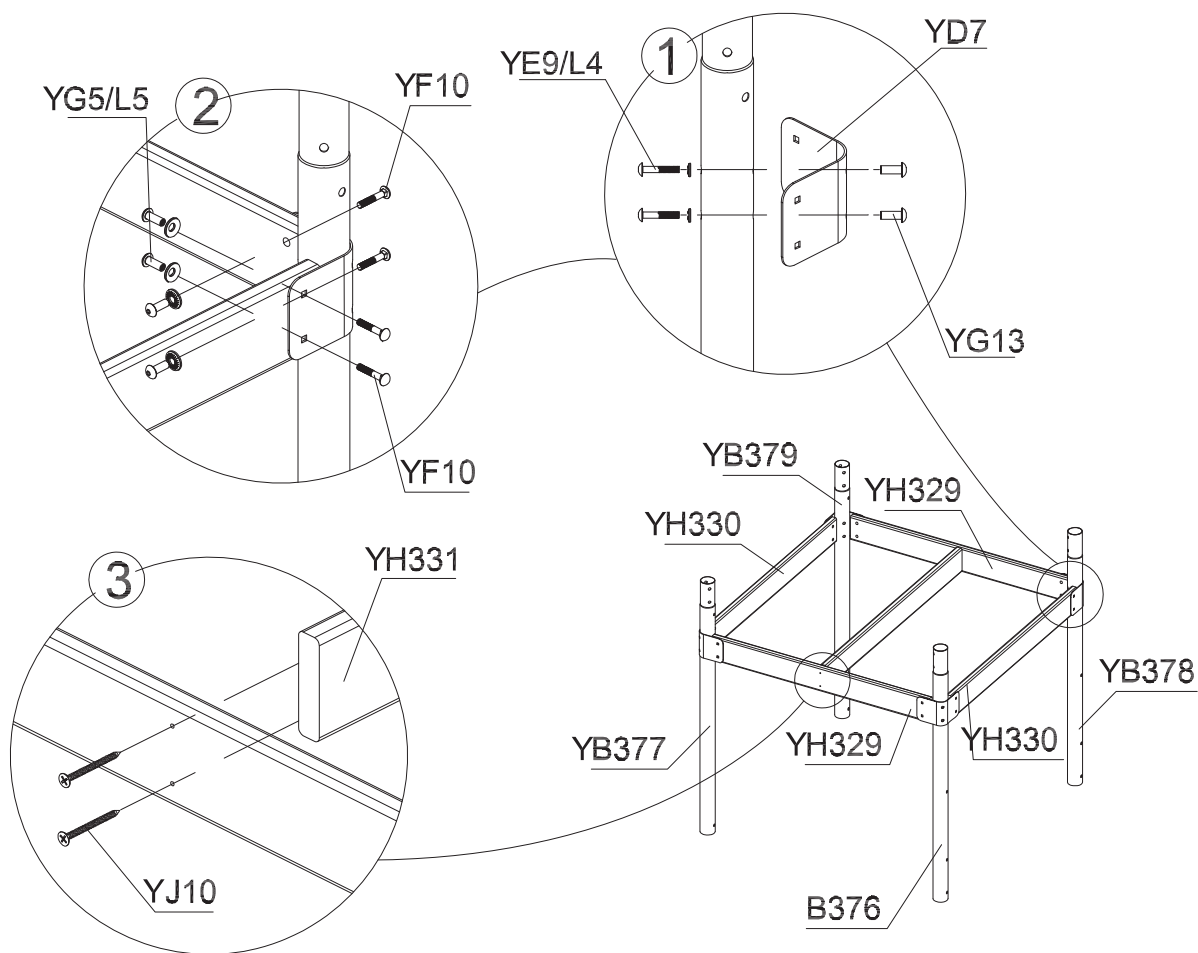
YN3 x 6



Ø6 x 40/M4

YN30 x 2

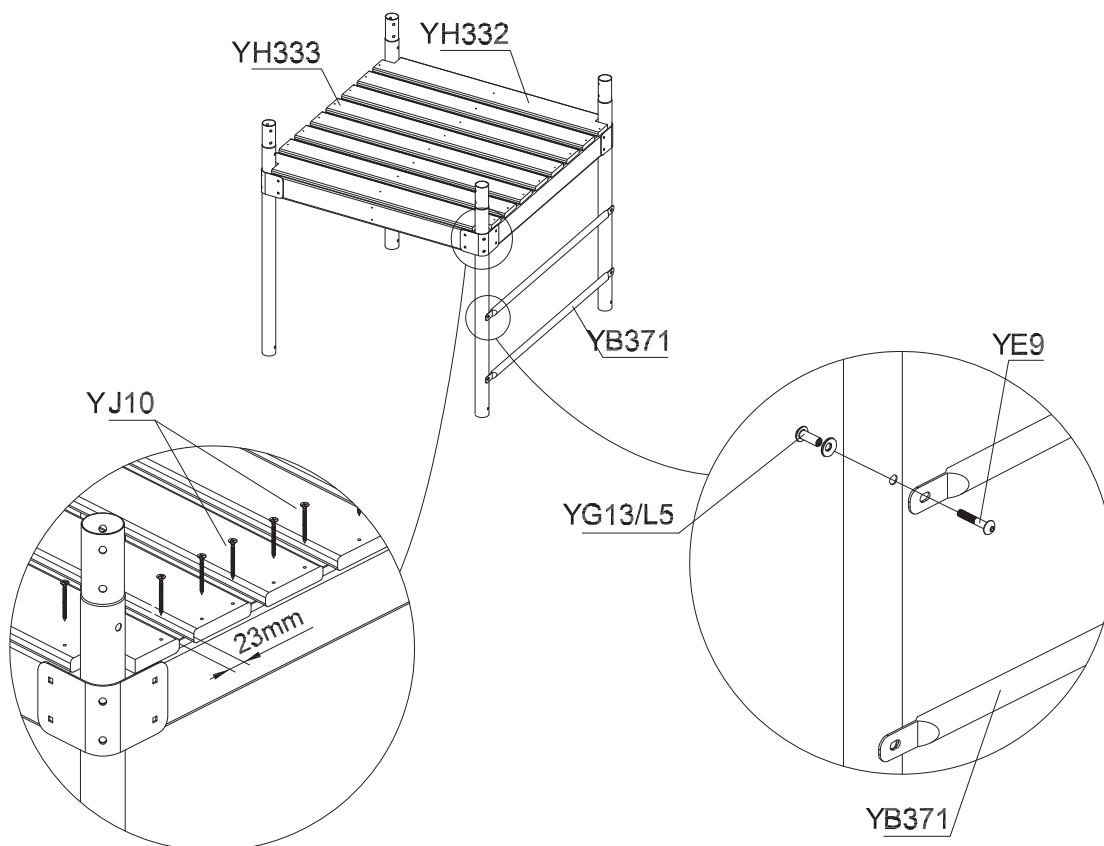
1



## Required Parts

YB379	x	1
YB378	x	1
YB377	x	1
YB376	x	1
YH329	x	2
YH330	x	2
YH331	x	1
YD7	x	4
YJ10	x	4
YE9	x	8
YG13	x	8
YF10	x	16
YG5	x	16
YL5	x	16
YL4	x	8

2

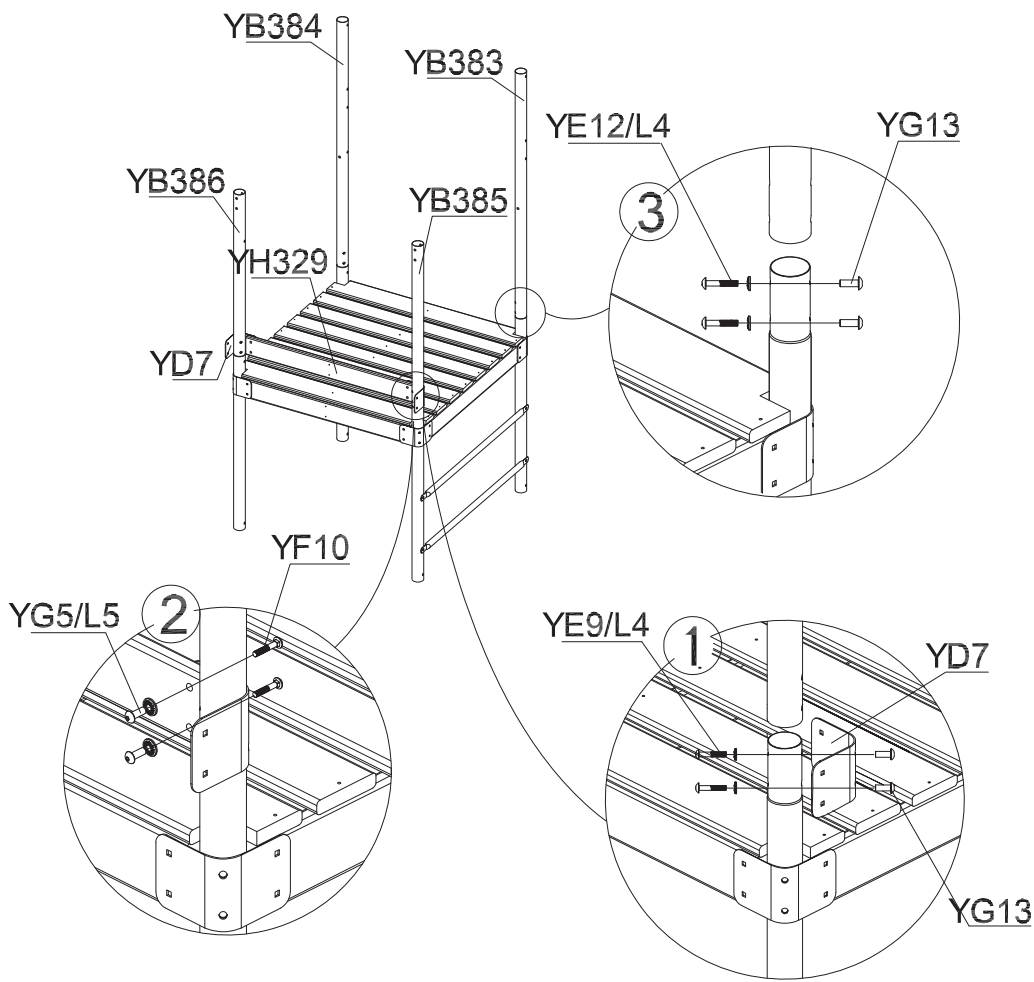


## Required Parts

YH332	x	2
YH333	x	6
YJ10	x	48
YB371	x	2
YE9	x	4
YG13	x	4
YL5	x	4

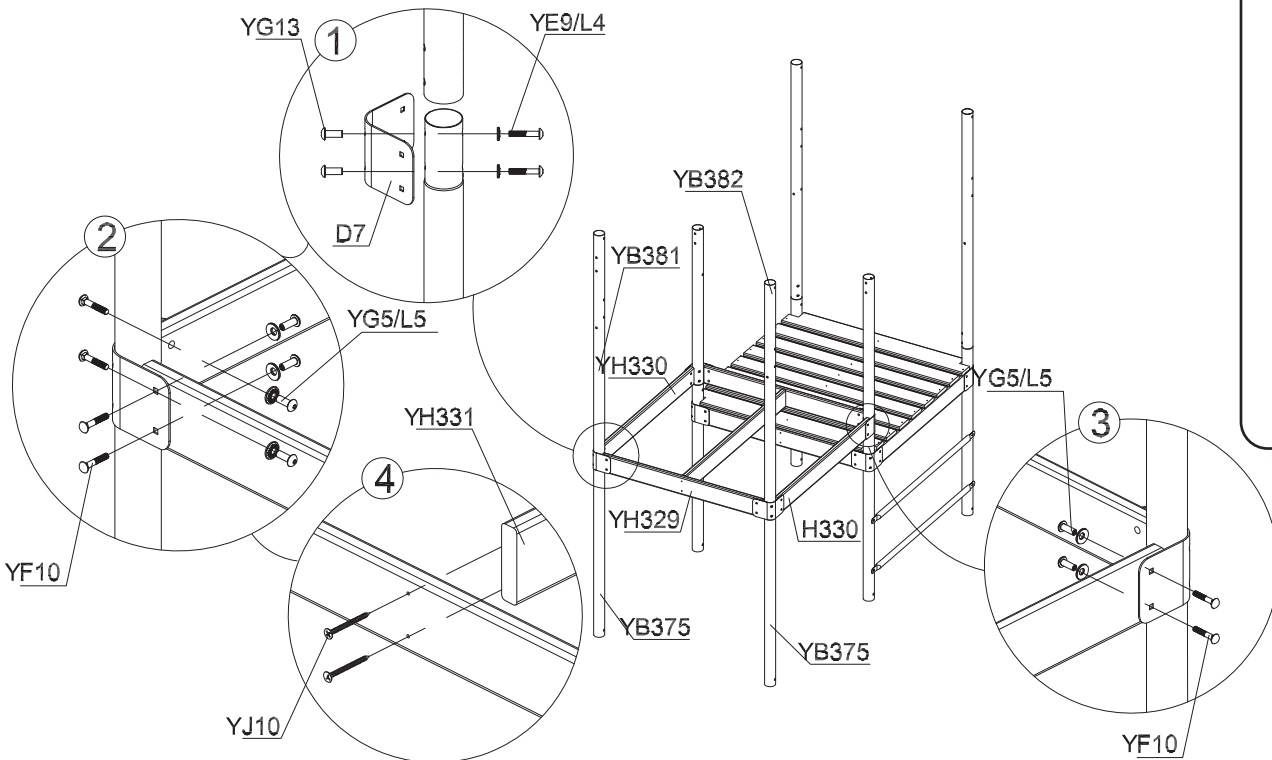
Required Parts

YB384	x	1
YB386	x	1
YD7	x	2
YE12	x	4
YL4	x	8
YF10	x	4
YL5	x	4
YB383	x	1
YH385	x	1
YH329	x	1
YE9	x	4
YG13	x	8
YG5	x	4



Required Parts

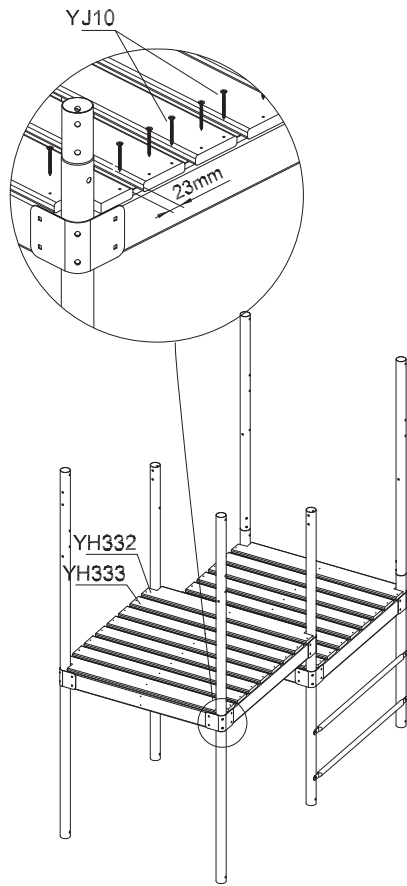
YH330	x	2
YH331	x	1
YB375	x	2
YB381	x	1
YJ10	x	4
YL4	x	4
YF10	x	12
YH329	x	1
YD7	x	2
YG5	x	12
YB382	x	1
YE9	x	4
YG13	x	4
YL5	x	12



5

## Required Parts

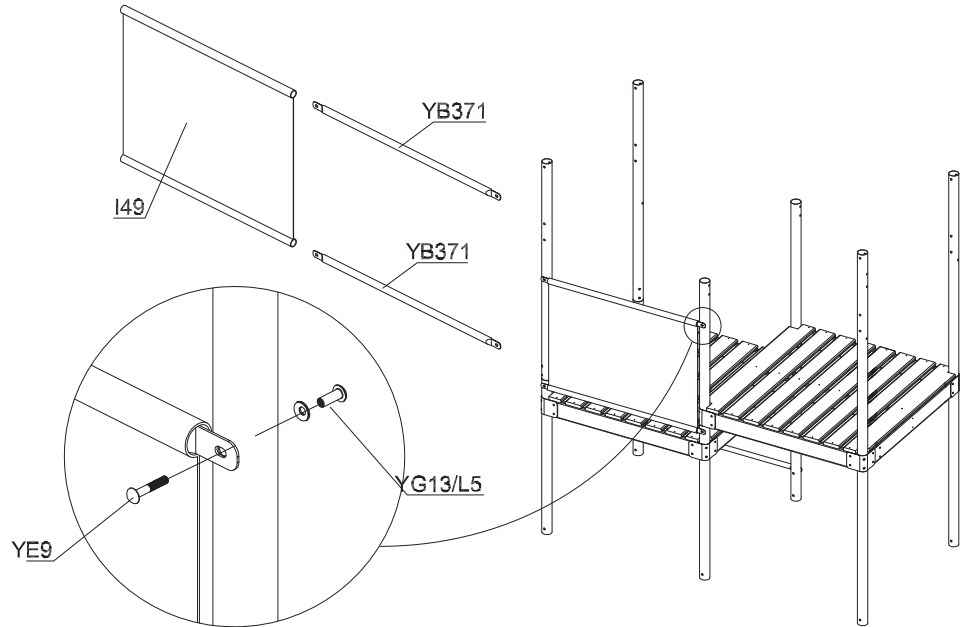
YH332	x	2
YH333	x	6
YJ10	x	48



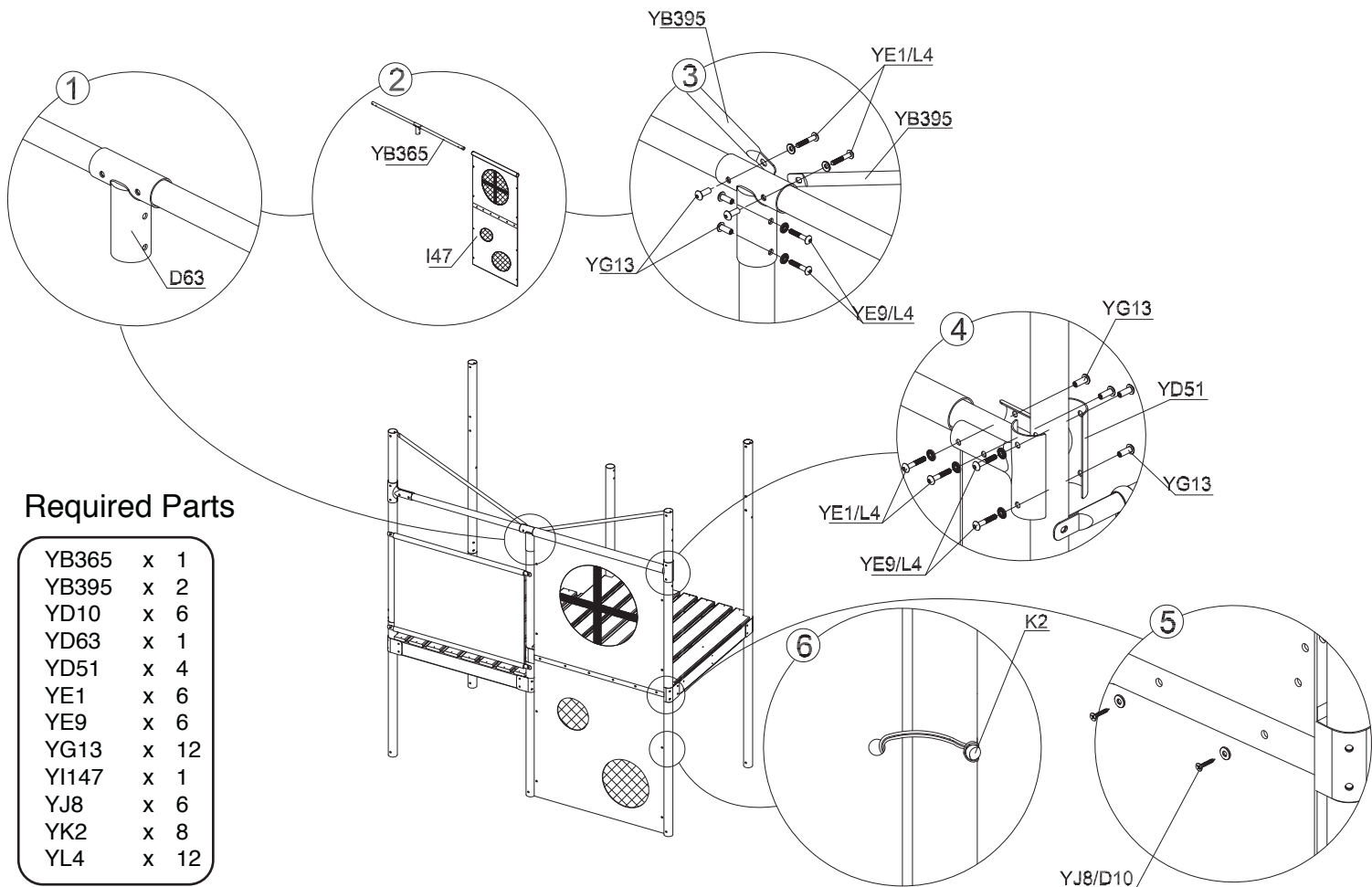
6

## Required Parts

YB371	x	2
YI49	x	1
YE9	x	4
YG13	x	4
YL5	x	4



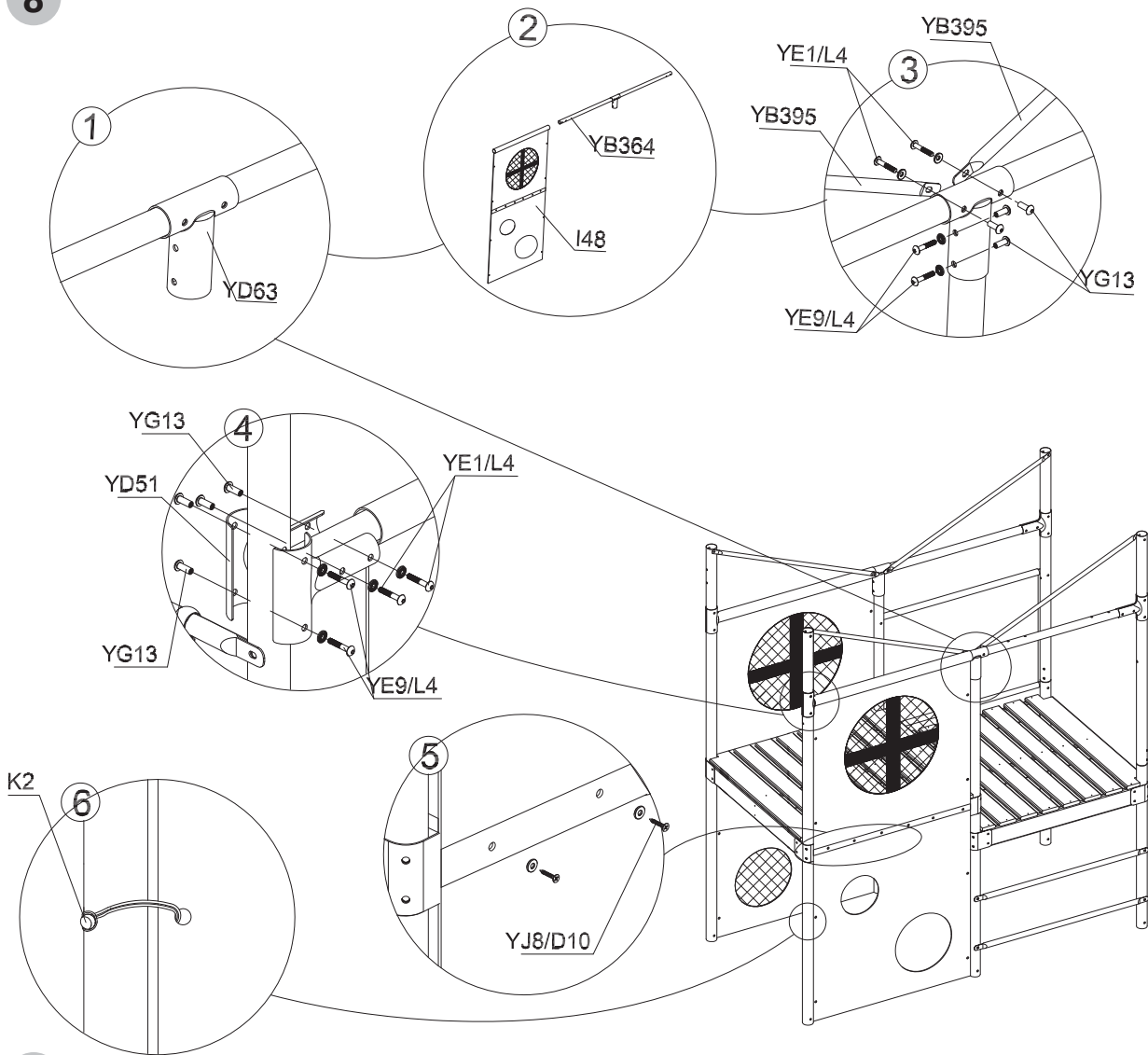
7



## Required Parts

YB365	x	1
YB395	x	2
YD10	x	6
YD63	x	1
YD51	x	4
YE1	x	6
YE9	x	6
YG13	x	12
YI147	x	1
YJ8	x	6
YK2	x	8
YL4	x	12

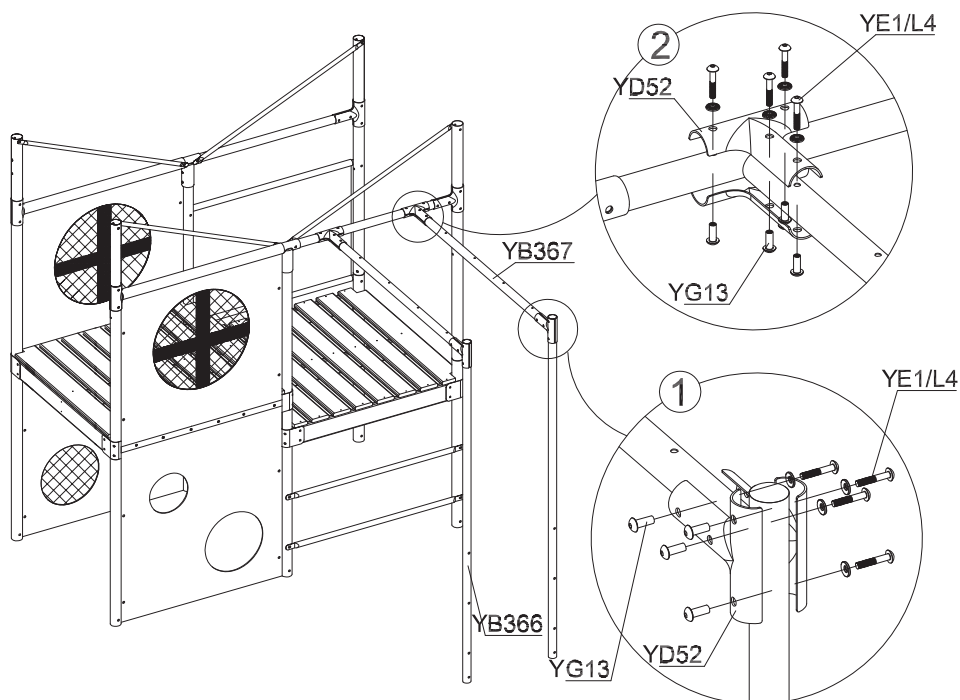
8



## Required Parts

YB364	x	1
YB395	x	2
YD10	x	6
YD51	x	4
YD63	x	1
YE1	x	6
YE9	x	6
YG13	x	12
YI48	x	1
YJ8	x	6
YK2	x	8
YL4	x	12

9

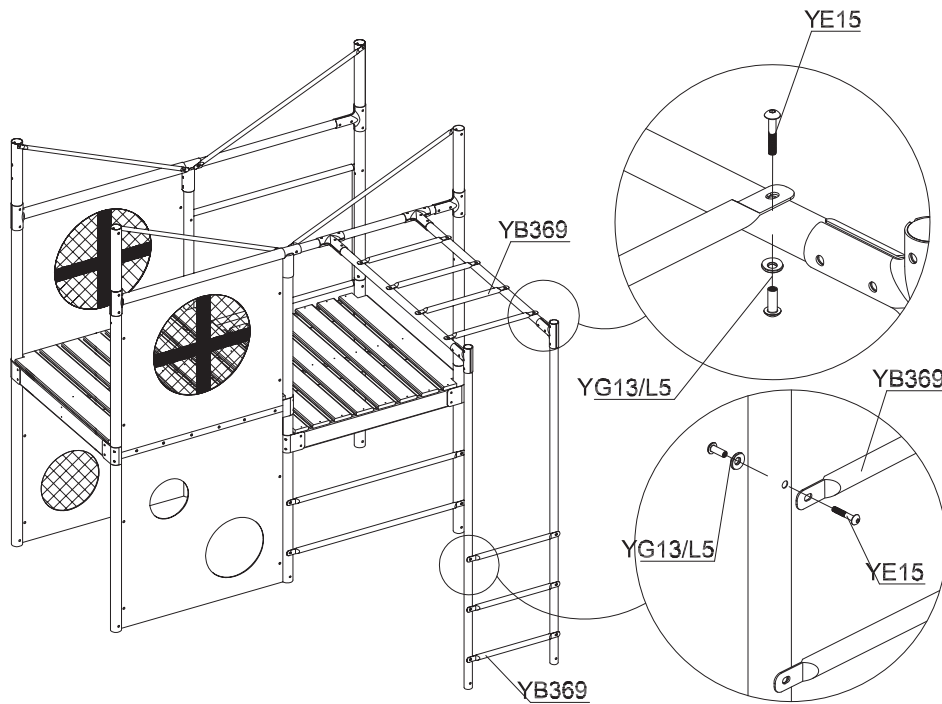


## Required Parts

YB367	x	2
YD52	x	8
YL4	x	16
YB366	x	2
YE1	x	16
YG13	x	16

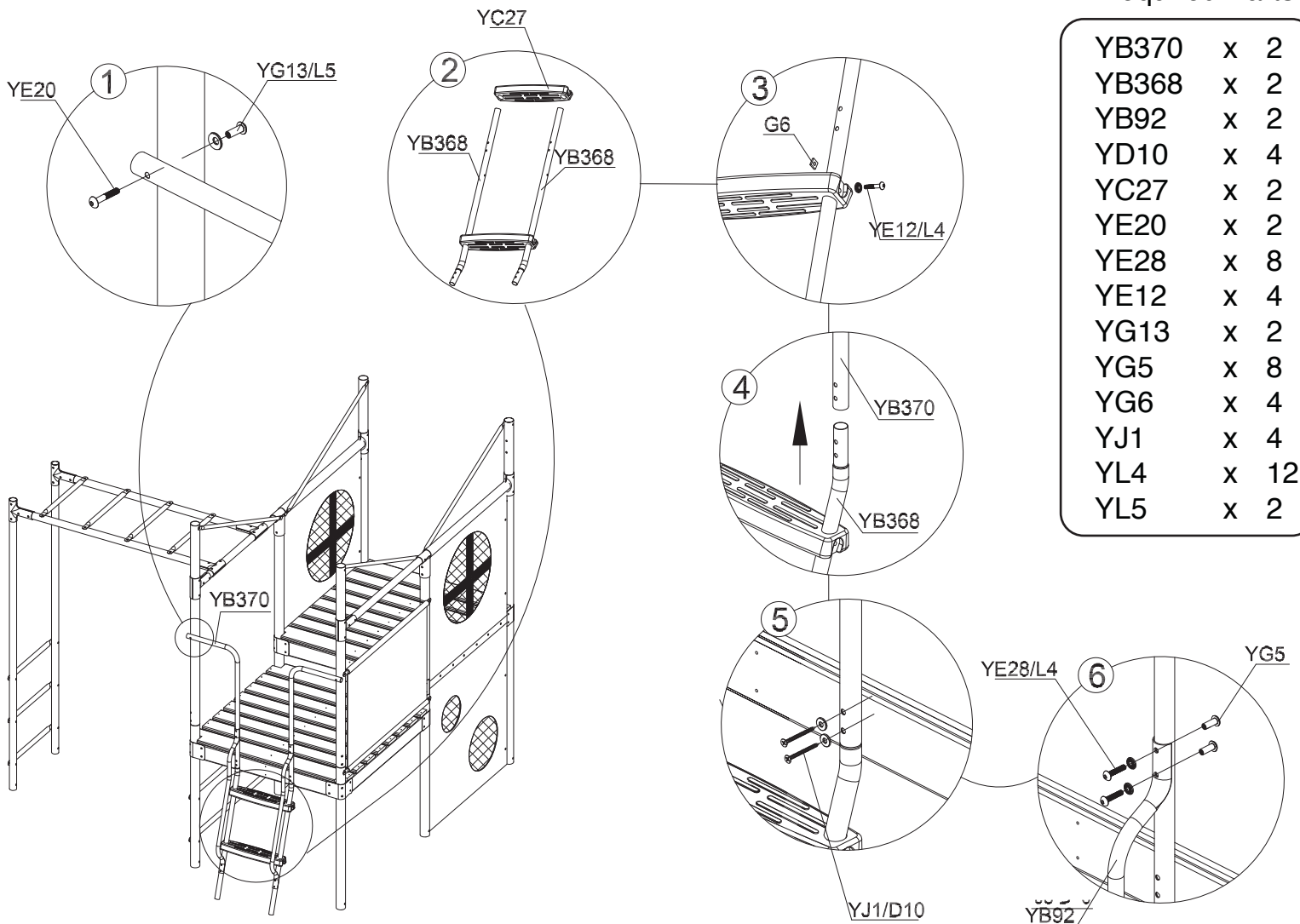
Required Parts

YB369	x	7
YE15	x	14
YL5	x	14
YG13	x	14



Required Parts

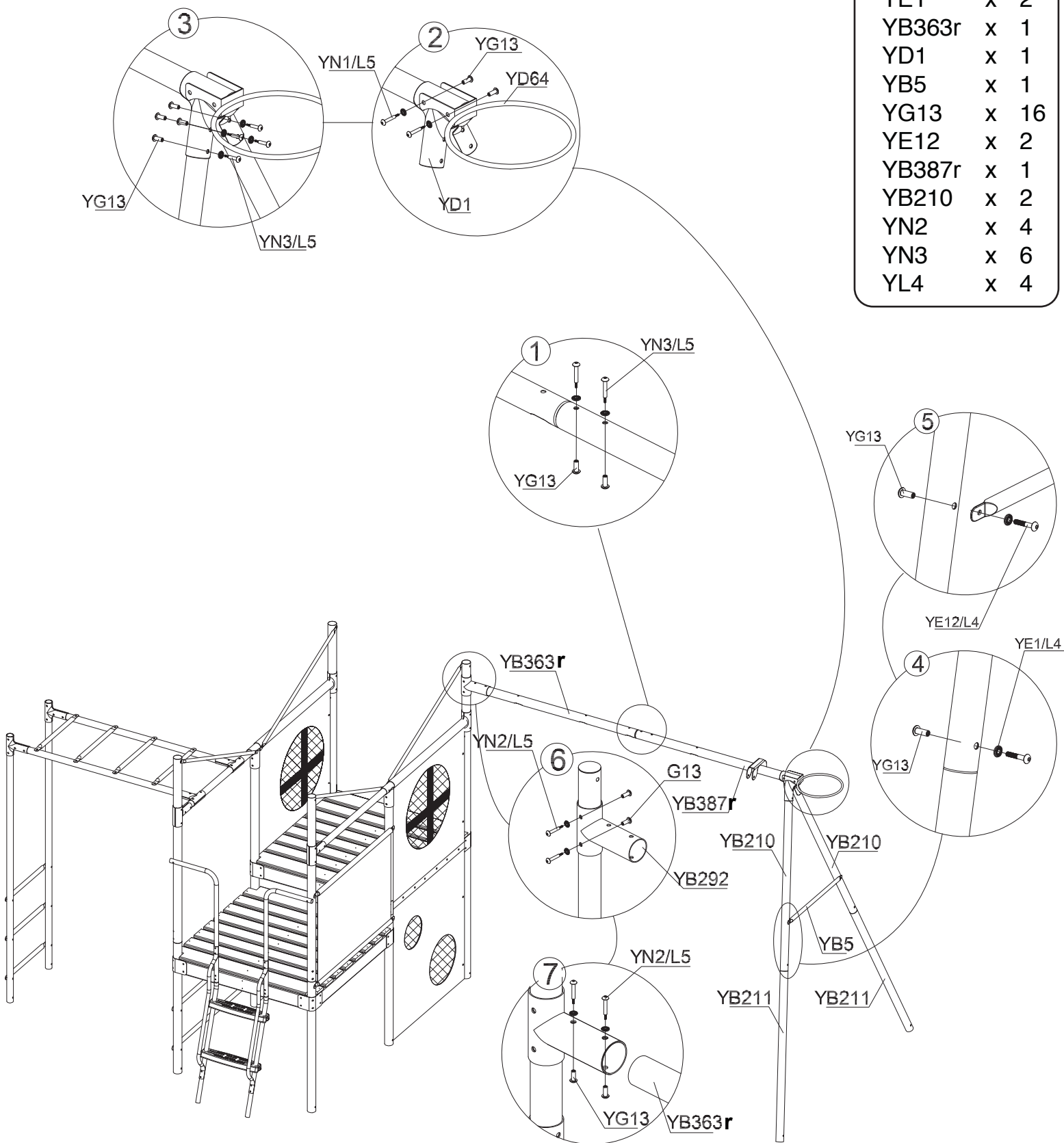
YB370	x	2
YB368	x	2
YB92	x	2
YD10	x	4
YC27	x	2
YE20	x	2
YE28	x	8
YE12	x	4
YG13	x	2
YG5	x	8
YG6	x	4
YJ1	x	4
YL4	x	12
YL5	x	2





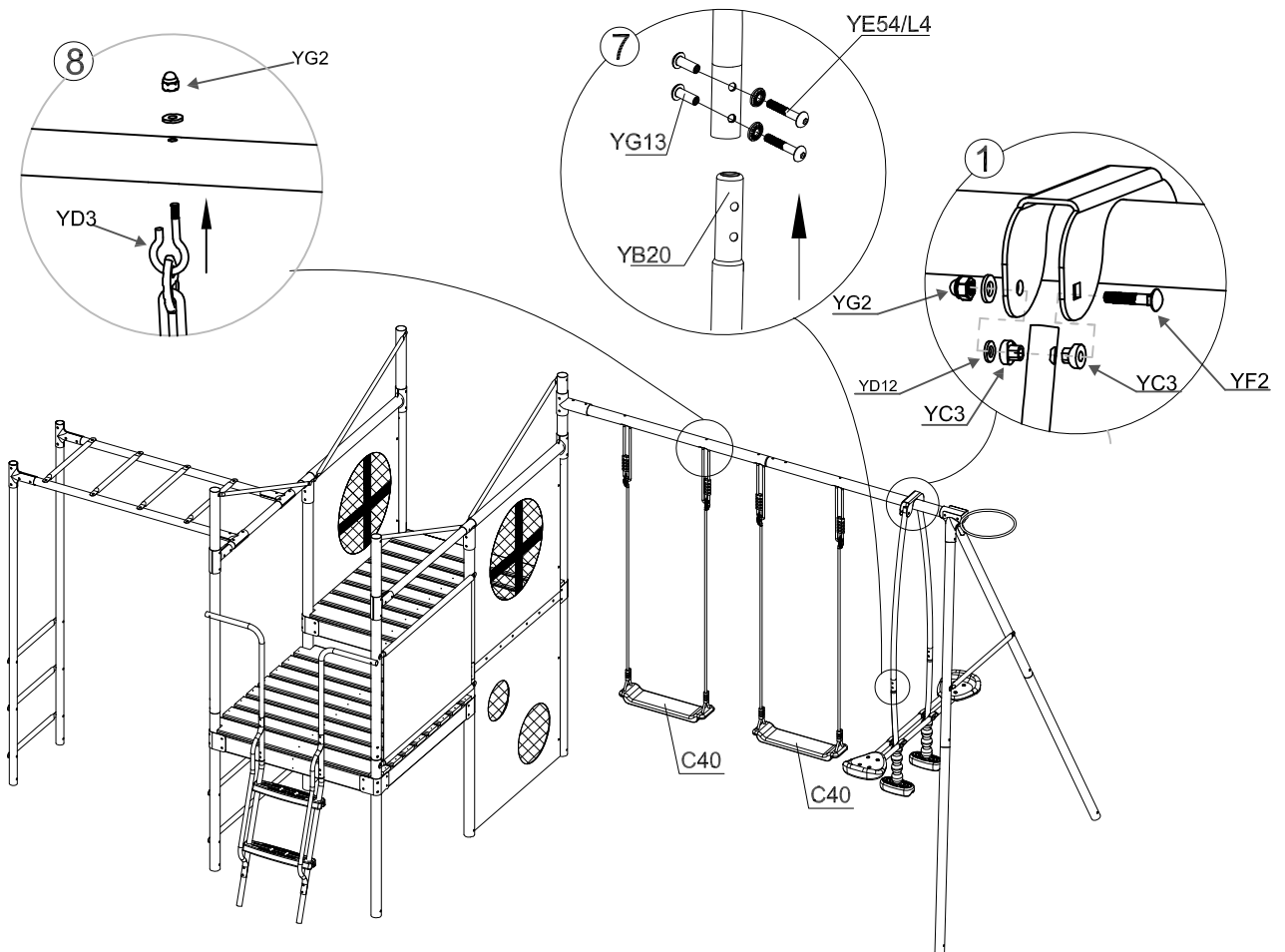
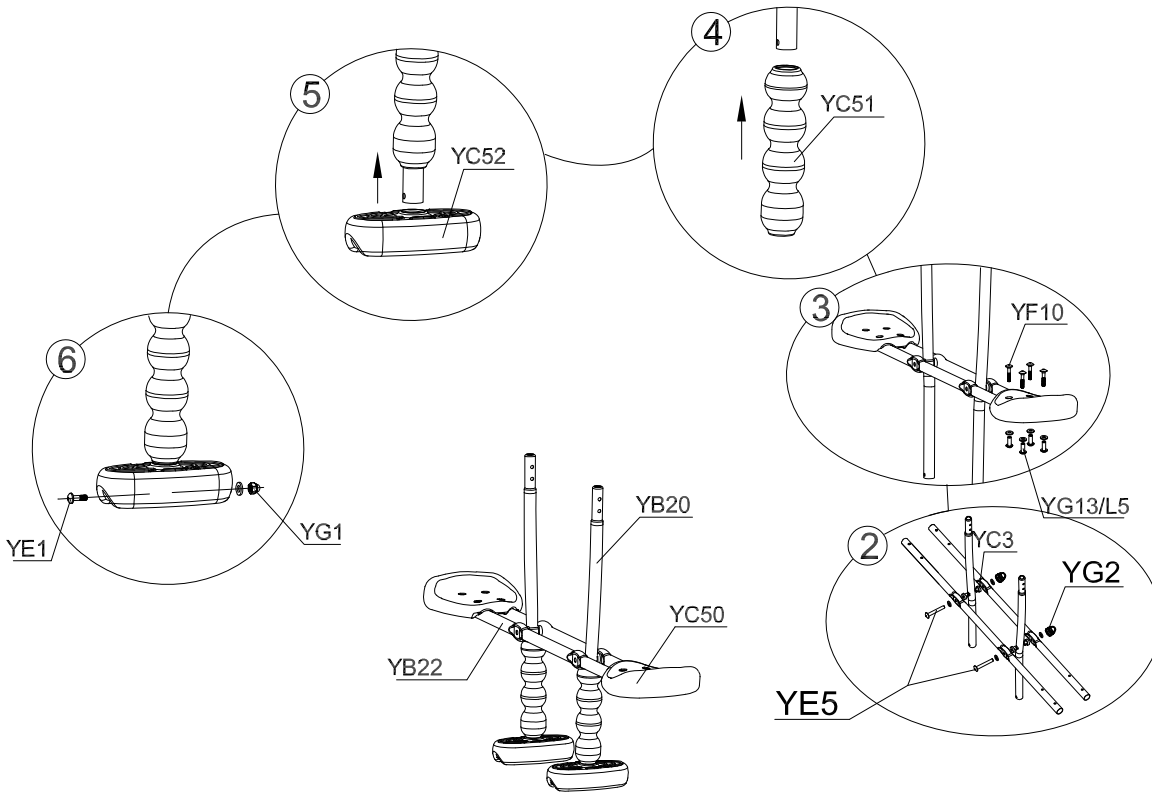
Required Parts

YB292	x	1
YD64	x	1
YB211	x	2
YL5	x	12
YN1	x	2
YE1	x	2
YB363r	x	1
YD1	x	1
YB5	x	1
YG13	x	16
YE12	x	2
YB387r	x	1
YB210	x	2
YN2	x	4
YN3	x	6
YL4	x	4



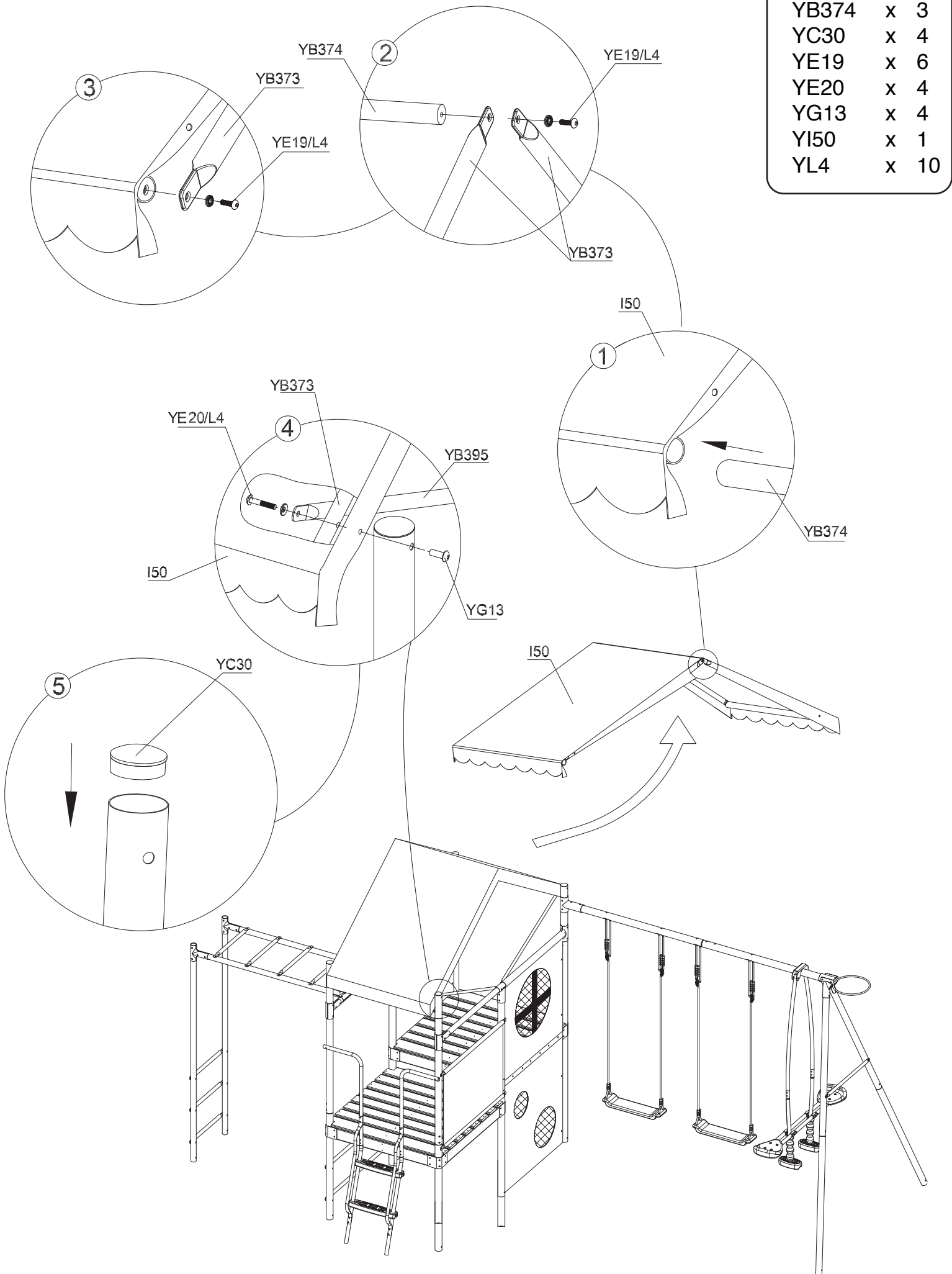
Required Parts

YC40	x	2
YB20	x	2
YC52	x	2
YG13	x	12
YG1	x	2
YL4	x	6
YD12	x	2
YD3	x	4
YB22	x	2
YC50	x	2
YC3	x	8
YL5	x	8
YE5	x	2
YE54	x	4
YG2	x	8
YB19	x	2
YC51	x	2
YF10	x	8
YE1	x	2
YE19	x	4
YF2	x	2



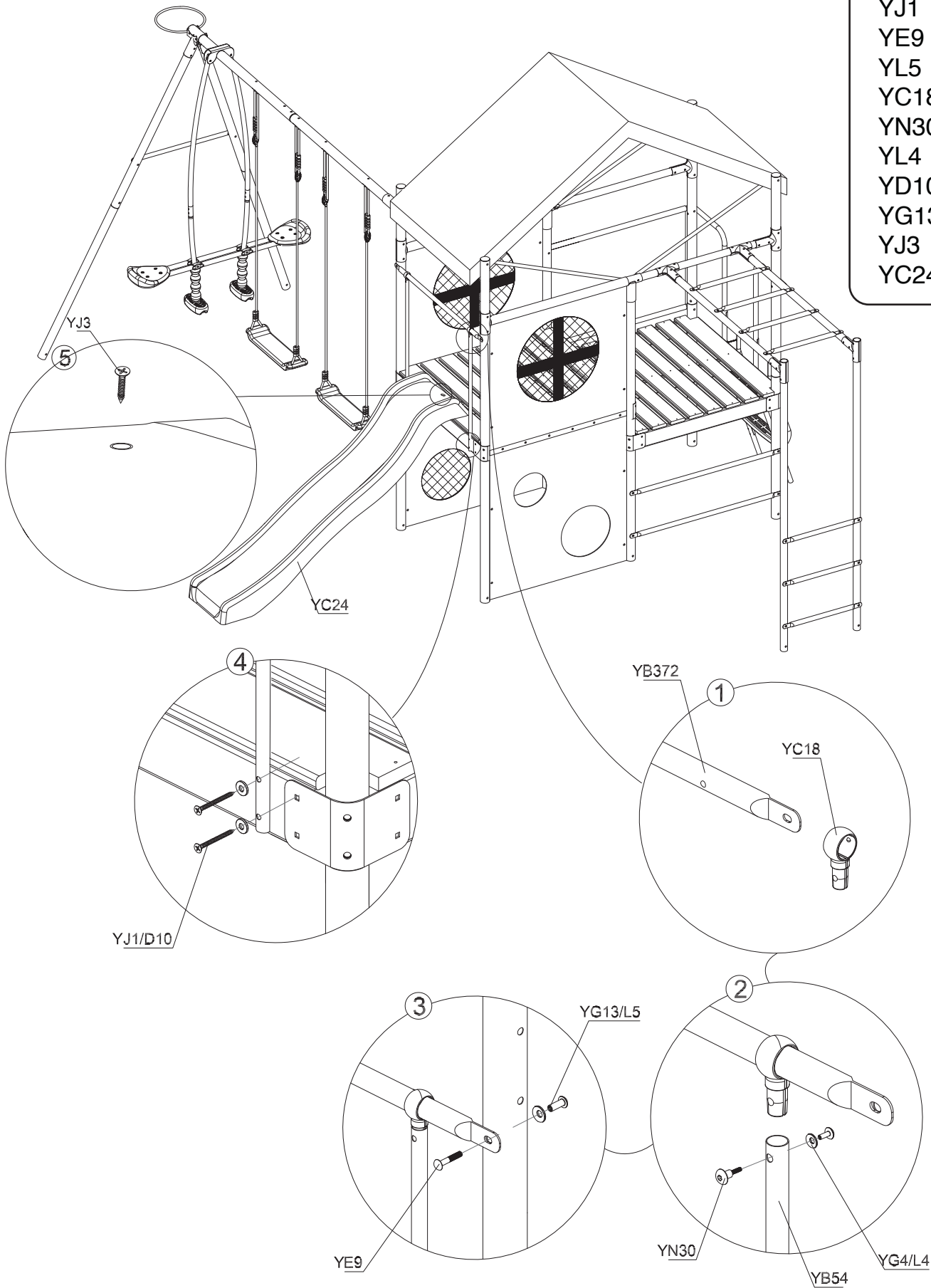
Required Parts

YB373	x	4
YB374	x	3
YC30	x	4
YE19	x	6
YE20	x	4
YG13	x	4
YI50	x	1
YL4	x	10



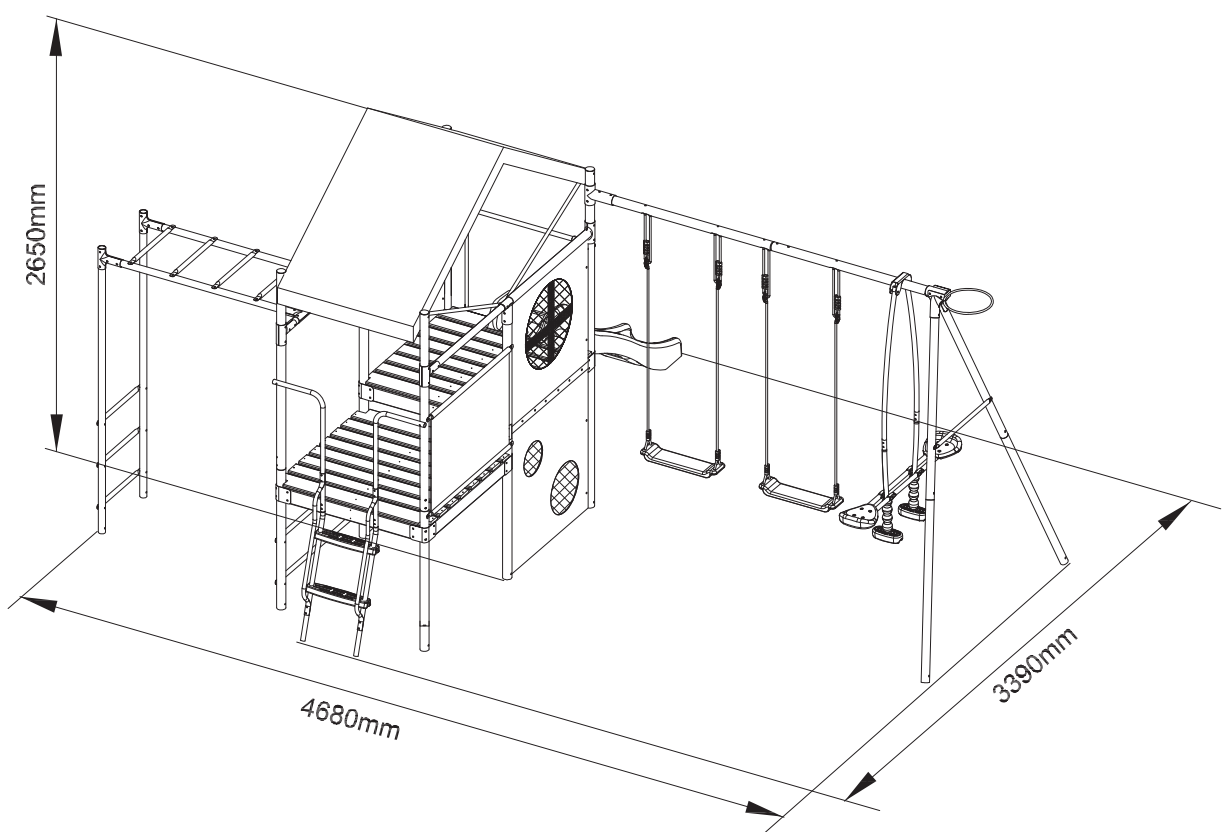
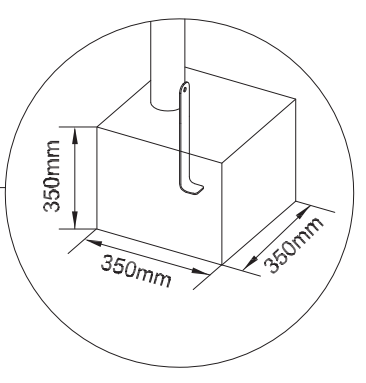
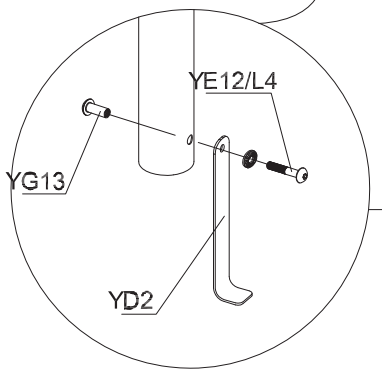
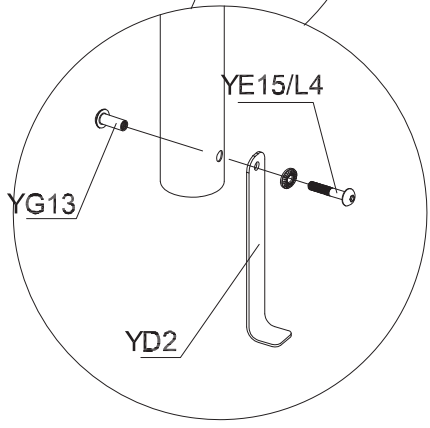
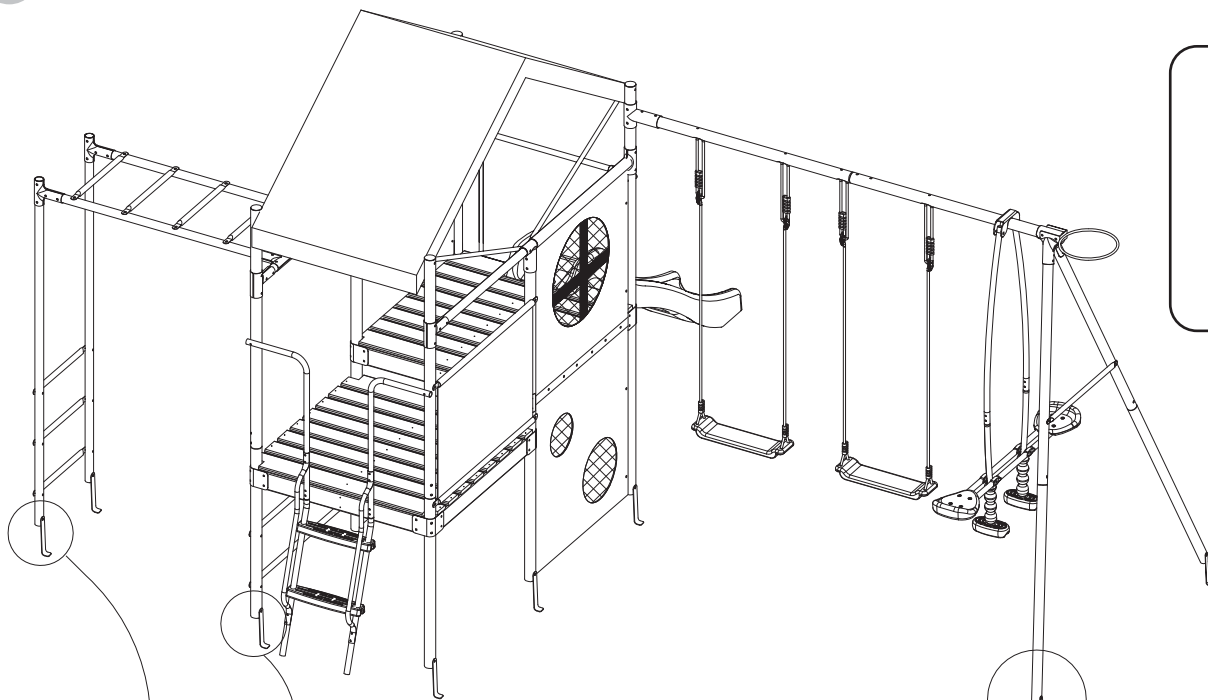
Required Parts

YB372	x	1
YB54	x	2
YG4	x	2
YJ1	x	4
YE9	x	2
YL5	x	2
YC18	x	2
YN30	x	2
YL4	x	2
YD10	x	4
YG13	x	2
YJ3	x	2
YC24	x	1



Required Parts

YE12	x	2
YE9	x	6
YE15	x	2
YL4	x	10
YG13	x	10
YD2	x	10



# Manor Playset

## SAFETY ADVICE

- As per legal requirements, a swing seat with flexible means of suspension must have a 40cm minimal distance between the ground and the swing. This distance is important for safety. The distance between the swing seat and the ground and the trapeze and the ground can be adjusted using the plastic height adjustment hooks.
- Warning: This product is only to be used by children between the ages of 3 and 12.
- Warning: Not to be used by anyone weighing over 50kgs, simultaneously not to exceed a combined weight of 150 kgs.
- Warning: Choking hazard - small parts can be dangerous for children.
- Warning: This play set must be used under adult supervision.
- This product is for private use at home only. Under no circumstances is it to be used in parks, schools, camp sites, hotels, public leisure areas etc.
- The Play Set should be set up on a flat surface at least 2 metres away from any structures or obstacles (walls, fences, trees, washing lines, cables etc).
- To avoid eye damage, we advise that the swing and slide should not be setup directly facing the sun.
- The Play Set should be installed over impact absorbing surfaces such as sand, wood-bark chips, rubber and foam and must NOT be set up on a hard surface (concrete, tarmac etc). For detail on surfacing materials please refer to the provided consumer information sheet.
- We recommend to secure your swing set firmly into the ground using concrete.
- The anchorage must be checked regularly.
- Dispose of packaging thoughtfully.
- Do not allow children to play with packaging.
- Please see below diagram for maximum fall height of swing.

**CAUTION ! This Product includes timber and/or fabric, Please Keep away from fire.**

## FIXING INTO THE GROUND

**IMPORTANT ! For safety reasons, your Play Set must be embedded into the ground.**

- Place your Play Set in the desired position and mark a square area 250mm x 250 mm around each of the feet. Dig holes 300 mm deep. (The feet must be in the center of the square)
  - Fill the holes with concrete. Do not exceed the ground level. Fit the embedding piece into the center of the concrete so that fixtures for screwing the posts into place rise out of the concrete.
  - When the concrete is dry, screw the posts to the embedding pieces.
  - Anchors shall be placed level with or under ground in order to reduce tripping hazards.
- IMPORTANT !** Wait until the concrete is set before using and check anchorages regularly.

## MAINTENANCE

- All parts should be checked at least once a month.
- Check all nuts and bolts for tightness and tighten when required.
- Check for signs of wear to bolt coverings. If sharp edges are found, replace as required.
- In certain regions (seaside areas), certain coatings could be prone to damage. In this case, it is advised to use a rust prevention treatment.
- Check swing seats, chains, ropes and other means of attachment for evidence of deterioration; replace when required in accordance with the manufacturer's instructions.
- All parts that are under constant friction should be oiled regularly using a suitable lubricant.
- The ground on which the play centre is set up should be cleared regularly. All objects such as stones or anything else that could cause injury in the case of a fall should be removed.
- It is recommended that during the winter period when the equipment is not in use, all apparatus are removed to prevent deterioration due to bad weather.
- Sand rusted areas and tubular members and repaint using a non-lead based paint when required
- Modifications to the original activity toy should only be carried out under instructions from the manufacturer.
- Defective parts should only be replaced in accordance with the manufacturer's instructions.
- For aesthetic reasons, you may want to apply a timber treatment to the timber parts.

## IMPORTANT NOTICE FOR TIMBER CARE & MAINTENANCE

This product contains timber components that are naturally subject to deterioration in the outdoor elements. All outdoor timber products require routine inspection and regular maintenance.

To combat the effects of outdoor exposure and greatly increase the lifespan of your play set or cubby, we strongly recommend that you apply a protective coat of exterior grade lacquer or oil to all timber parts upon first assembly. In order to best maintain the timber we recommend reapplying protective coats every 3 months.

Failure to care for your timber parts by applying protective lacquer or oil will greatly reduce the lifespan of your product.

For information on the most suitable exterior lacquer or oil, please consult your hardware specialist. Please ensure the product does not contain hazardous chemicals once dry that can pose a potential health risk to children.

To ensure continued safety of your product, Major timber maintenance should be performed at twelve month intervals from the date of installation. All timber parts should be inspected for splintering and structural defects and treated as follows:

- For very minor splinters or chipping, a light sand and coat of exterior water repellent oil/varnish is suitable.
- If timber has cracked, rotted, or split significantly, replacement parts may be required. Please contact our customer service team on (03) 9786 0055 for all replacement part enquiries.

**We hope you have a safe and enjoyable time using the Manor Play Set (MPS050).**

## Annex B (informative)

### Consumer information sheet for playground surfacing materials

The US Consumer Product Safety Commission (CPSC) estimates that about 100 000 playground equipment-related injuries resulting from falls to the ground surface are treated annually in US hospital emergency rooms. Injuries involving this hazard pattern tend to be among the most serious of all playground injuries, and have the potential to be fatal, particularly when the injury is to the head. The surface under and around playground equipment can be a major factor in determining the injury-causing potential of a fall. It is self-evident that a fall on to a shock-absorbing surface is less likely to cause a serious injury than a fall onto a hard surface. Playground equipment should never be placed on hard surfaces, such as concrete or asphalt, and while grass may appear to be acceptable, it may quickly turn to hard-packed earth in areas of high traffic. Shredded bark mulch, wood chips, fine sand or fine gravel are considered to be acceptable shock absorbing surfaces when installed and maintained at a sufficient depth under and around playground equipment.

Table B.1 lists the maximum height from which a child would not be expected to sustain a life-threatening head injury in a fall on to four different loose-fill surfacing materials if they are installed and maintained at depths of 150 mm, 225 mm and 300 mm.

**Table B.1 — Fall height in millimetres from which a life-threatening head injury would not be expected**

Type of material	Depth of surfacing material		
	150 mm	225 mm	300 mm
Double shredded bark mulch	1 800	3 000	3 300
Wood chips	1 800	2 100	3 600
Fine sand	1 500	1 500	2 700
Fine gravel	1 800	2 100	3 000

However, it should be recognised that all injuries due to falls cannot be prevented, no matter what surfacing material is used.

It is recommended that a shock absorbing material extend a minimum of 1 800 mm in all directions from the perimeter of stationary equipment such as climbing frames and slides. However, because children may deliberately jump from a moving swing, the shock absorbing material should extend in the front and rear of a swing a minimum distance of twice the height of the pivot point measured from a point directly beneath the pivot on the supporting structure.

This information is intended to assist in comparing the relative shock-absorbing properties of various materials. No particular material is recommended over another. However, each material is only effective when properly maintained. Materials should be checked periodically and replenished to maintain correct depth as determined necessary for the equipment in question. The choice of a material depends on the type and height of the playground equipment, the availability of the material in a particular area, and its cost.

This information has been extracted from the CPSC publications "*Playground Surfacing — Technical Information Guide*" and "*Handbook for Public Playground Safety*".