

- | | |
|-------------------------|------------------------|
| 1. Low battery light | 6. Door handle |
| 2. Warning light | 7. Battery compartment |
| 3. Confirm light | 8. Locking bolts |
| 4. Confirming button | 9. Reset button |
| 5. Emergency lock cover | 10. Security cap |

!! Do not store access keys inside your safe !!

PROGRAMMING YOUR SAFE

Batteries

1. Remove the emergency cover and insert the emergency key.
2. Turn emergency key clockwise and hold.
3. Turn door handle clockwise and pull the door open.
4. Insert 4 x AA batteries into the battery compartment. When replacing batteries in the future, it is best to use heavy duty alkaline AA batteries.

(Note: When you replace the batteries, you will also need to re-program your user code.)

Program User Code

This safe comes programmed with a preset factory code - 1 5 9 . For security purposes you will need to change this to your own personal code by following these steps:

1. Remove the black security cap to access the reset button.
2. Press the reset button. A 'beep' will sound.
3. Input your new user code (3-8 digits) followed by the "#" key. The Confirm Light will turn on, confirming that the user code has been changed.
4. Be sure to cover reset button with the security cap, after setting the code.

If you wish to change your code again, re-follow the steps above.

Using your safe

You will now be able to unlock and open your safe using your own user code.

Open Safe with User Code

1. Enter your 3-8 digit user code.
2. Confirm code by pressing the "#" key. If the code is entered correctly, the Confirm Light will turn on.
3. Turn the Door Handle and open the safe.

(If the code is entered incorrectly, the Warning Light will turn on and you will not be able to open the safe. If the code is entered incorrectly 3 times consecutively, the safe will automatically lock for 30 seconds. Another 3 incorrect entries consecutively, the safe will lock for 5 minutes.)

The emergency keys are provided for:

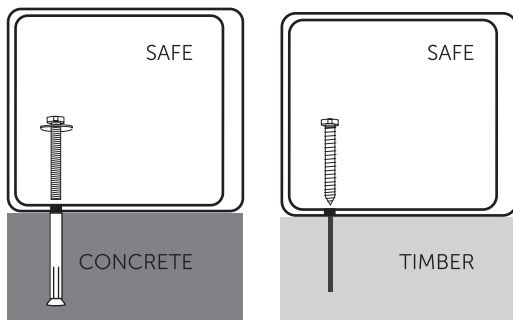
- initial entry to the safe.
- a means of access if the batteries go flat.
- a means of access if you forget your user code. They should not be used for everyday access. Responsibility will not be taken if the user misplaces the emergency keys. Store these keys in a safe place but NOT inside the safe!

!! Do not store access keys inside your safe !!

INSTALLING YOUR SAFE

For installation into concrete surfaces use masonry bolts provided.

1. Install your safe in a location that is secure and sturdy.
2. Drill holes for 12mm masonry bolts in the desired location.
3. Insert the masonry bolts through the holes in the safe and into the concrete.
4. Tighten masonry bolts using a socket or spanner.



For installation into timber surfaces use coach screws (not included).

1. Install your safe in a location that is secure and sturdy.
2. Pre-drill holes in the desired location.
3. Insert the coach screws through the holes in the safe and into the timber.
4. Tighten coach screws using a socket or spanner.

All safes should be bolted down to ensure the best possible security.

OTHER NOTES

- If you wish to clean your safe, use a damp cloth. Do not use liquid or sprayers.
- Never try to dismantle the product by yourself.
- Safe must be installed in an upright position or the warranty shall be void. A safe is an aid only in reducing theft, it must form only a part of a range of security measures used. Sandleford Holdings will not accept or be held responsible for any loss or damage caused in the event of theft or unauthorised use.

!! Do not store access keys inside your safe !!